

DVD PLAYER

DVD-S1200

SERVICE MANUAL

DVD-S1200

For G, B models

IMPORTANT NOTICE

This manual has been provided for the use of authorized YAMAHA Retailers and their service personnel. It has been assumed that basic service procedures inherent to the industry, and more specifically YAMAHA Products, are already known and understood by the users, and have therefore not been restated.

WARNING: Failure to follow appropriate service and safety procedures when servicing this product may result in personal injury, destruction of expensive components, and failure of the product to perform as specified. For these reasons, we advise all YAMAHA product owners that any service required should be performed by an authorized YAMAHA Retailer or the appointed service representative.

IMPORTANT: The presentation or sale of this manual to any individual or firm does not constitute authorization, certification or recognition of any applicable technical capabilities, or establish a principle-agent relationship of any form.

The data provided is believed to be accurate and applicable to the unit(s) indicated on the cover. The research, engineering, and service departments of YAMAHA are continually striving to improve YAMAHA products. Modifications are, therefore, inevitable and specifications are subject to change without notice or obligation to retrofit. Should any discrepancy appear to exist, please contact the distributor's Service Division.

WARNING: Static discharges can destroy expensive components. Discharge any static electricity your body may have accumulated by grounding yourself to the ground buss in the unit (heavy gauge black wires connect to this buss).

IMPORTANT: Turn the unit OFF during disassembly and part replacement. Recheck all work before you apply power to the unit.

■ CONTENTS

TO SERVICE PERSONNEL	1	SELF-DIAGNOSIS FUNCTION AND SERVICE MODES	12-18
WARNINGS	1~2	ASSEMBLING AND DISASSEMBLING	
PREVENTION OF ELECTRO STATIC DISCHARGE	3	THE MECHANISM UNIT	19-23
LOCALE MANAGEMENT INFORMATION	3	ADJUSTMENT	24-27
FRONT PANEL	4	BLOCK DIAGRAM	28-34
REAR PANEL	4	INTERCONNECTION DIAGRAM	35
REMOTE CONTROL TRANSMITTER PANEL	4	PRINTED CIRCUIT BOARD	36-43
SPECIFICATIONS	5	SCHEMATIC DIAGRAM	44-59
DISASSEMBLING THE CASING AND CHECKING P.C.B.S	5-9	VOLTAGE CHART	60-66
OPTICAL PICKUP SELF-DIAGNOSIS AND		PARTS LIST	67-81
REPLACEMENT PROCEDURE	10-11	REMOTE CONTROL TRANSMITTER	82




このサービスマニュアルは、エコマーク認定の再生紙を使用しています。
This Service Manual uses recycled paper.



■ TO SERVICE PERSONNEL

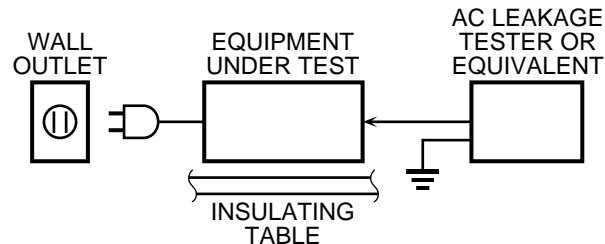
1. Critical Components Information

Components having special characteristics are marked  and must be replaced with parts having specifications equal to those originally installed.

2. Leakage Current Measurement (For 120V Models Only)

When service has been completed, it is imperative to verify that all exposed conductive surfaces are properly insulated from supply circuits.

- Meter impedance should be equivalent to 1500 ohm shunted by 0.15 μ F.
- Leakage current must not exceed 0.5mA.
- Be sure to test for leakage with the AC plug in both polarities.



THE DVD-VIDEO PLAYER SHOULD NOT BE ADJUSTED OR REPAIRED BY ANYONE EXCEPT PROPERLY QUALIFIED SERVICE PERSONNEL.

■ WARNINGS

WARNING: CHEMICAL CONTENT NOTICE!

The solder used in the production of this product contains LEAD. In addition, other electrical/electronic and /or plastic (where applicable) components may also contain traces of chemicals found by the California Health and Welfare Agency (and possibly other entities) to cause cancer and/or birth defects or other reproductive harm.

DO NOT PLACE SOLDER, ELECTRICAL/ELECTRONIC OR PLASTIC COMPONENTS IN YOUR MOUTH FOR ANY REASON WHATSOEVER!

Avoid prolonged, unprotected contact between solder and your skin! When soldering, do not inhale solder fumes or expose eyes to solder/flux vapor!

If you come in contact with solder or components located inside the enclosure of this product, wash your hands before handling food.

WARNING: Laser Safety

This product contains a laser beam component. This component may emit invisible, as well as visible radiation, which may cause eye damage. To protect your eyes and skin from laser radiation, the following precautions must be used during servicing of the unit.

- 1) When testing and/or repairing any component within the product, keep your eyes and skin more than 30 cm away from the laser pick-up unit at all times. Do not stare at the laser beam at any time.
- 2) Do not attempt to readjust, disassemble or repair the laser pick-up, unless noted elsewhere in this manual.
- 3) CAUTION: Use of controls, adjustments or performance of procedures other than those specified herein may result in hazardous radiation exposure.

Laser Emitting conditions:

- 1) When the Top Cover is removed and the "STANDBY/ON" SW is turned to the "ON" position, the laser component will emit a beam for several seconds to detect if a disc is present. During this time (5 - 10 sec.) the laser may radiate through the lens of the laser pick-up unit. Do not attempt any servicing during this period!
If no disc is detected, the laser will stop emitting the beam. When a disc is loaded, you will not be exposed to any laser emissions.
- 2) The laser power level can be adjusted with the VR on the pick-up PWB. However, this level has been set by the factory prior to shipping from the factory. Do not adjust this laser level control unless instruction is provided elsewhere in this manual.
Adjustment of this control can increase the laser emission level from the device.

Laser Diode Properties

Type:	Semiconductor laser GaAlAs
Wave length:	658 nm (DVD) 790 nm (VCD/CD)
Output Power:	CLASS IIa 1 mW (DVD) CLASS I 1 mW (VCD/CD)

Output value is determined by CFR CHAPTER 1, SUBCHAPTER J

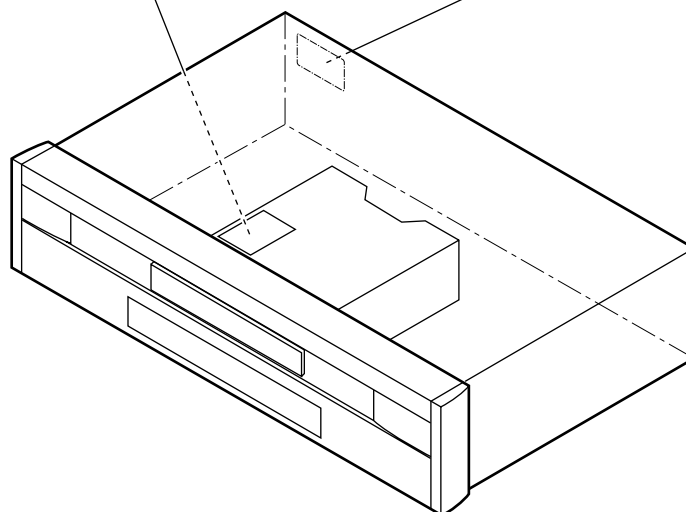
VARO!	: AVATTAESSA JA SUOJALUKITUS OHITETTAESSA OLET ALTTIINA NÄKYMÄTTÖMÄLLE LASER-SÄTEILYLLE. ÄLÄ KATSO SÄTEESEEN.
WARNING!	: OSYNLIG LASERSTRÅLNING NÄR DENNA DEL ÄR ÖPPNAD OCH SPÄRREN ÄR URKOPPLAD. BETRAKTA EJ STRÅLEN.

WARNING

The use of optical instruments with this product will increase eye hazard.
Repair handling should take place as much as possible with a disc loaded inside the player

DANGER	- VISIBLE AND INVISIBLE LASER RADIATION WHEN OPEN. AVOID DIRECT EXPOSURE TO BEAM. (FDA 21 CFR)
CAUTION	- VISIBLE AND INVISIBLE LASER RADIATION WHEN OPEN. AVOID EXPOSURE TO BEAM. (IEC60825-1)
ATTENTION	- RAYONNEMENT LASER VISIBLE ET INVISIBLE EN CAS D'OUVERTURE. EXPOSITION DANGEREUSE AU FAISCEAU.
ADVARSEL	- SYNLIG OG USYNLIG LASERSTRÅLNING VED ÅBNING. UNNGÅ UDSÆTTELSE FOR STRÅLING.
VARO!	- AVATTAESSA OLET ALTTIINA NÄKYVÄÄ JA NÄKYMÄTÖN LASERSÄTEILYLLE. ÄLÄ KATSO SÄTEESEEN.
WARNING	- SYNLIG OCH OSYNLIG LASERSTRÅLNING NÄR DENNA DEL ÄR ÖPPNAD. BETRAKTA EJ STRÅLEN.
ADVARSEL	- SYNLIG OG USYNLIG LASERSTRÅLNING NÄR DEKSEL ÅPNES. UNNGÅ EKSPONERING FOR STRÅLEN.
VORSICHT	- SICHTBARE UND UNSICHTBARE LASERSTRAHLUNG, WENN ABDECKUNG GEOFFNET. NICHT DEM STRAHL AUSSETZEN.
注意	- 打开时有可见及不可见激光辐射。避免激光束照射。
注意	- ここを開くと可視及び不可視のレーザー光が出ます。 ビームを直接見たり、触れたりしないでください。 RQLS0233

CLASS 1 LASER PRODUCT
LASER KLASSE 1 PRODUKT
LUOKAN 1 LASERLAITE
KLASS 1 LASER APPARAT



■ PREVENTION OF ELECTRO STATIC DISCHARGE

The laser diode in the traverse unit (optical pickup) may be damaged due to static electricity from clothes or the human body. Use caution to prevent electrostatic damage when servicing or handling the laser diode.

1. Grounding for electrostatic damage prevention

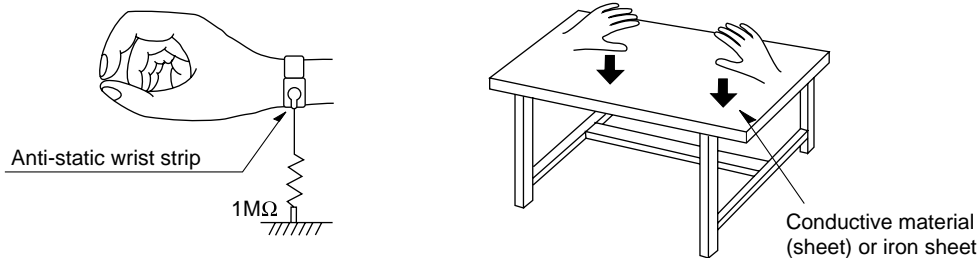
Some devices, such as the DVD player, use an optical pickup (laser diode) that will be damaged by static electricity in the working environment. Only attempt service after ensuring that all grounding procedures have been completed.

1. Worktable grounding

Put a grounded conductive material (sheet) or iron sheet on the area where the optical pickup is placed.

2. Human body grounding

Use an anti-static wrist strap to discharge the static electricity from your body.



2. Handling of the optical pickup

1. To prevent damage to the optical pickup replacement parts during transportation and before installation, both ends of the laser diode are short-circuited. After installing the new part, remove the short circuit according to the correct procedure in this service manual.
2. Do not use a tester to check the laser diode for the optical pickup. Failure to do so will damage the laser diode due to the power supply in the tester.

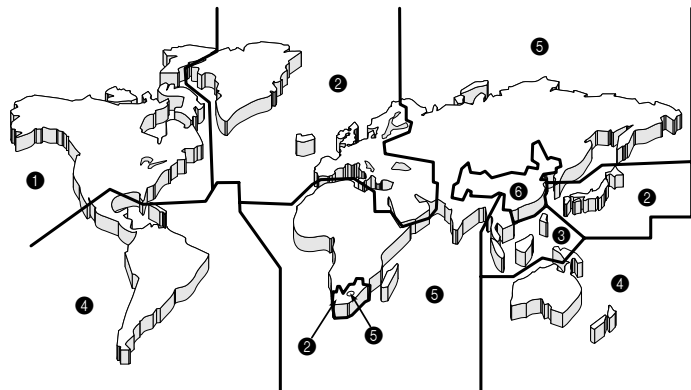
3. Handling Precautions for the Traverse Unit (Optical Pickup)

1. Handle the traverse unit (optical pickup) gently, as it is an extremely high-precision assembly.
2. When replacing the optical pickup, install the flexible cable and cut its short land with wire cutters. See the optical pickup replacement procedure in this service manual. Before replacing the traverse unit, remove the shorting pin for preventing static electricity damage and install the new unit. Reconnect the connector as quickly as possible.
3. The flexible cable lines may break if an excessive force is applied to it. Use caution when handling the cable.
4. The semi-fixed resistor for laser power adjustment should not be adjusted. Do not turn the resistor.

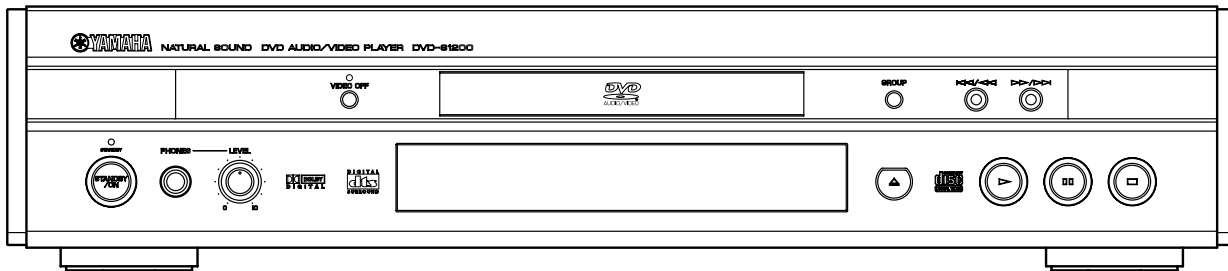
■ LOCALE MANAGEMENT INFORMATION

Locale Management Information : This DVD player is designed and manufactured to respond to the Locale Management Information that is recorded on the DVD disc. If the Locale number described on the DVD disc does not correspond to the Locale number of this DVD player, this DVD player cannot play this disc.

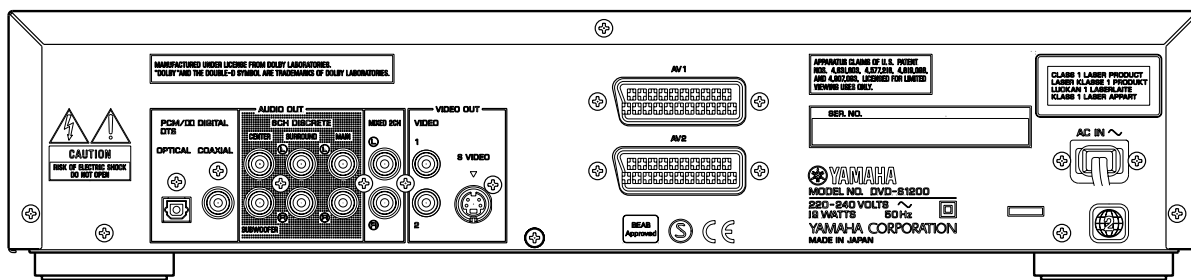
This product incorporates copyright protection technology that is protected by method claims of certain U.S. patents and other intellectual property rights owned by Macrovision Corporation and other rights owners. Use of this copyright protection technology must be authorized by Macrovision Corporation, and is intended for home and other limited viewing uses only unless otherwise authorized by Macrovision Corporation. Reverse engineering or disassembly is prohibited.



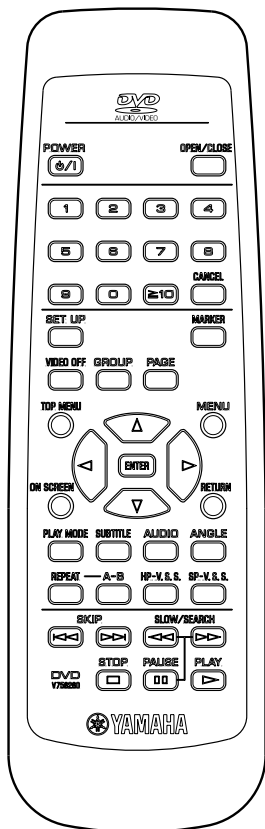
FRONT PANEL



REAR PANEL



REMOTE CONTROL TRANSMITTER PANEL



DVD-S1200

■ SPECIFICATIONS

VIDEO PERFORMANCE

Video output level	1 Vp-p (75 Ω)
S-Video output level	NTSC: 0.286 Vp-p (75 Ω) PAL: 0.300 Vp-p (75 Ω)
RGB video output level R, G, B	0.7 Vp-p (75 Ω)
Signal system	PAL 625/50, PAL 525/60, NTSC

AUDIO PERFORMANCE

Analog output level	2 Vms (1 kHz, 0dB)
Frequency response	DVD: 2 Hz – 22 kHz (48 kHz sampling) 2 Hz – 44 kHz (96 kHz sampling) 2 Hz – 88 kHz (192 kHz sampling) CD: 2 Hz – 20 kHz
Signal to Noise ratio	CD: 115dB
Dynamic range	DVD: 103dB CD: 99 dB
Harmonic distortion	CD: 0.002%

GENERAL

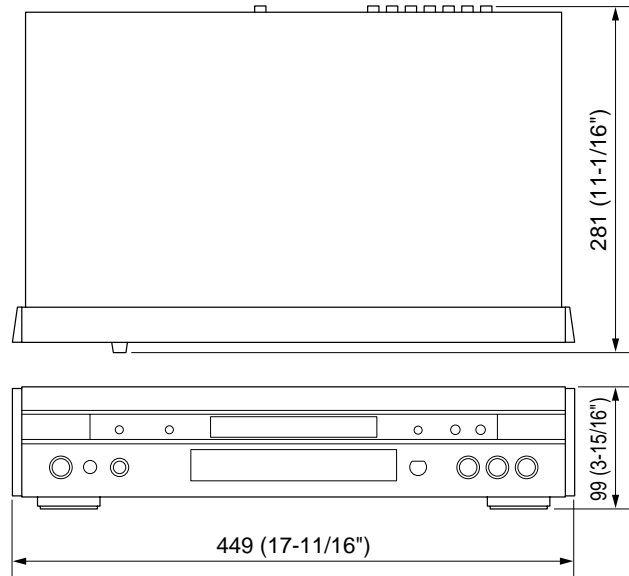
Dimensions(W x H x D)	449 x 99 x 281 mm [17-11/16" x 3-15/16" x 11-1/16"]
Weight	3.5 Kg (7 lbs 12 oz.)
Finish	Black color / Gold color
Power supply	220 – 240 V, 50 Hz
Power consumption	19 W
Standby mode	Approx. 4 W

PACKAGE CONTENTS

DVD Player, Remote Control & Batteries,
AC Power cord, Owner's Manual, Audio/Video cable

Specifications are subject to change without notice due to product improvements.

• Dimensions



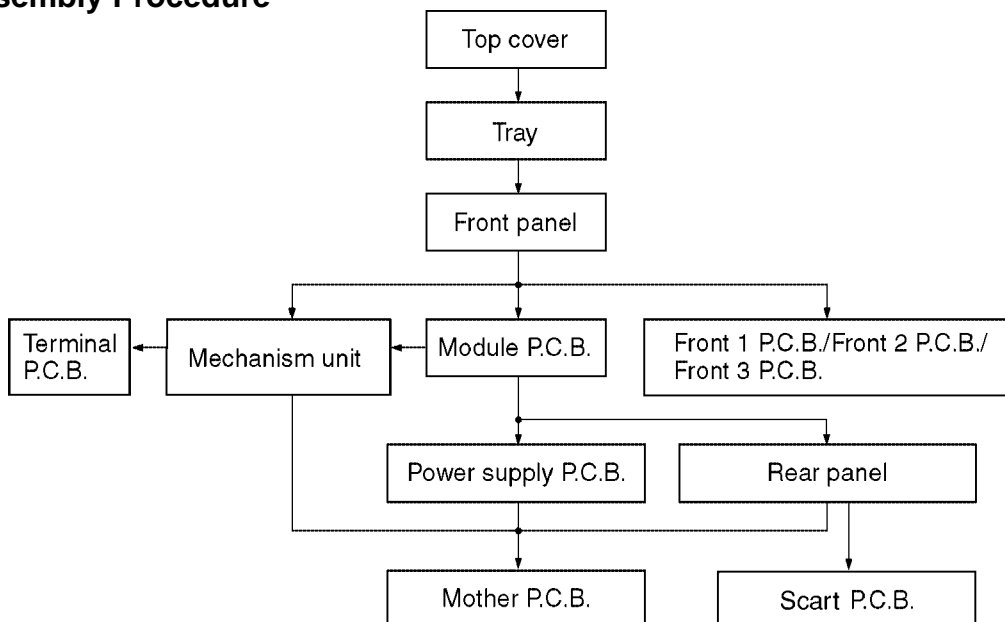
Unit : mm (inch)

- * Manufactured under license from Dolby Laboratories. "Dolby", "Dolby Digital", "Pro Logic", and the double-D symbol are trademarks of Dolby Laboratories. © 1992-1997 Dolby Laboratories. All rights reserved.
- * Manufactured under license from Digital Theater Systems, Inc. US Pat. No. 5,451,942 and other world-wide patents issued and pending. "DTS", "DTS Digital Surround", are trademarks of Digital Theater Systems, Inc. copyright 1996 Digital Theater Systems, inc. All rights reserved.

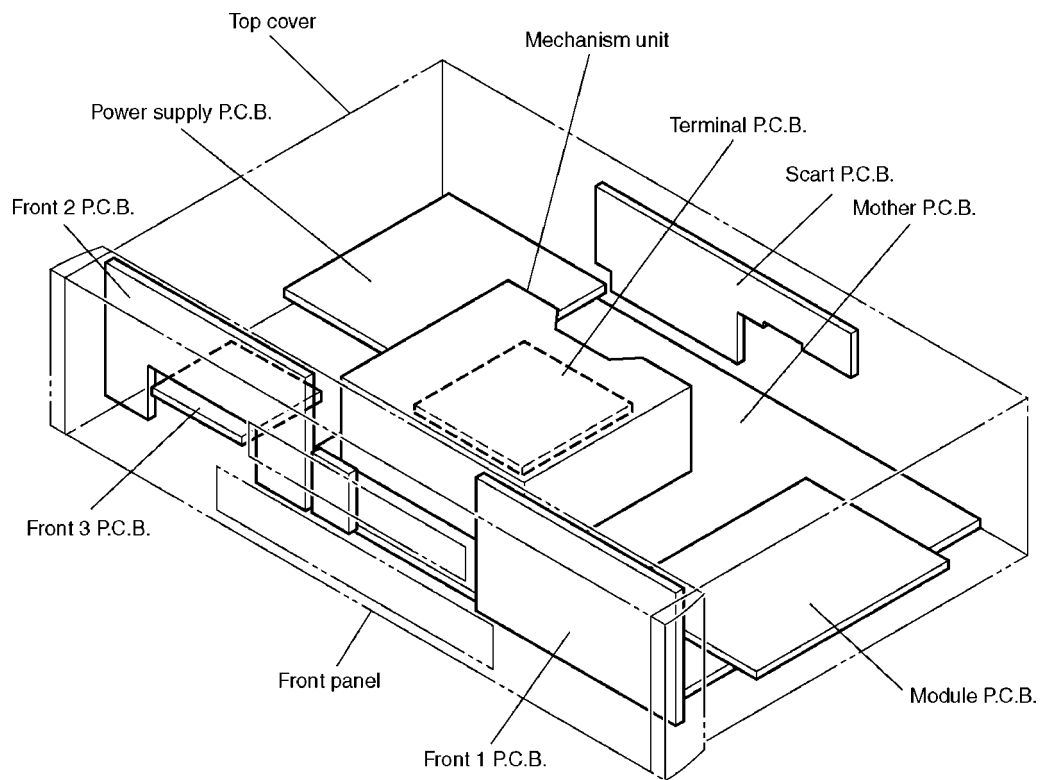
This product incorporates copyright protection technology that is protected by method claims of certain U.S. patents and other intellectual property rights owned by Macrovision Corporation and other rights owners. Use of this copyright protection technology must be authorized by Macrovision Corporation, and is intended for home and other limited viewing uses only unless otherwise authorized by Macrovision Corporation. Reverse engineering or disassembly prohibited.

■ DISASSEMBLING THE CASING AND CHECKING P.C.B.s

1. Dissassembly Procedure

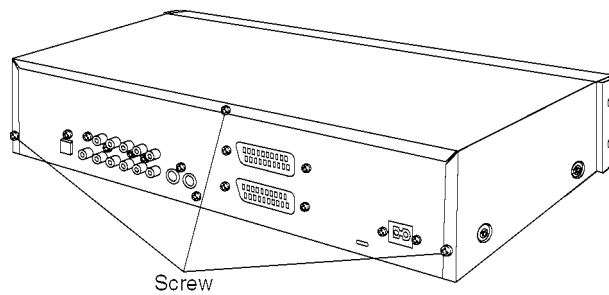
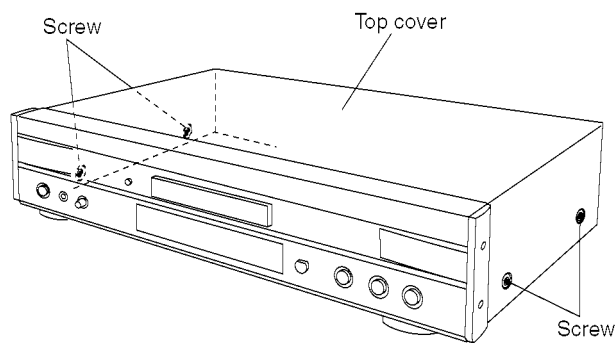


2. Casing Parts and P.C.B. Locations



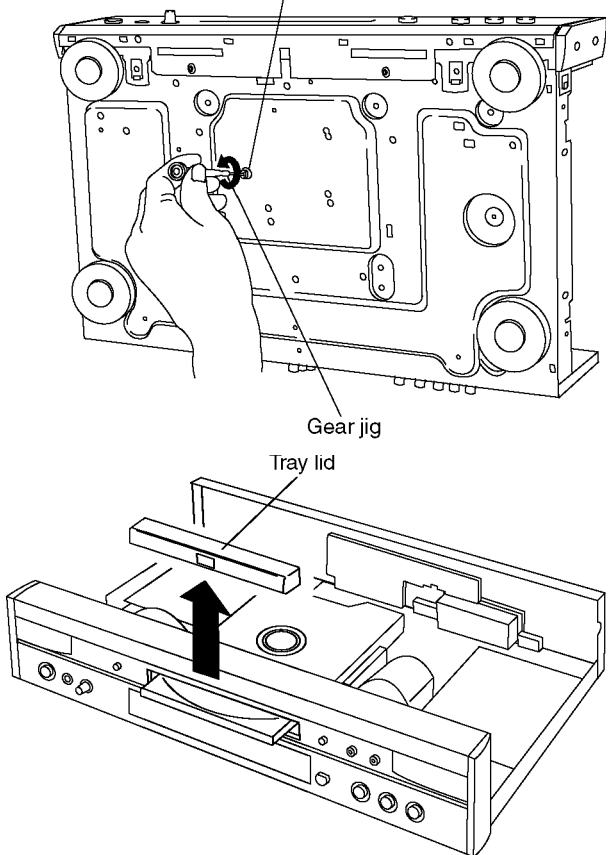
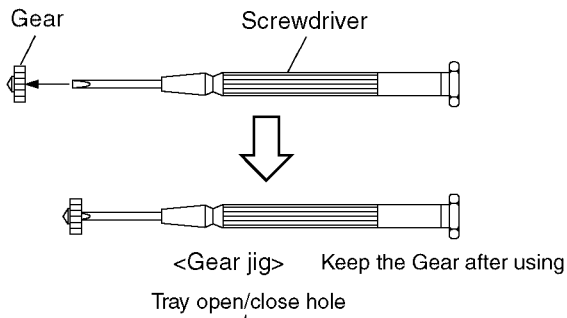
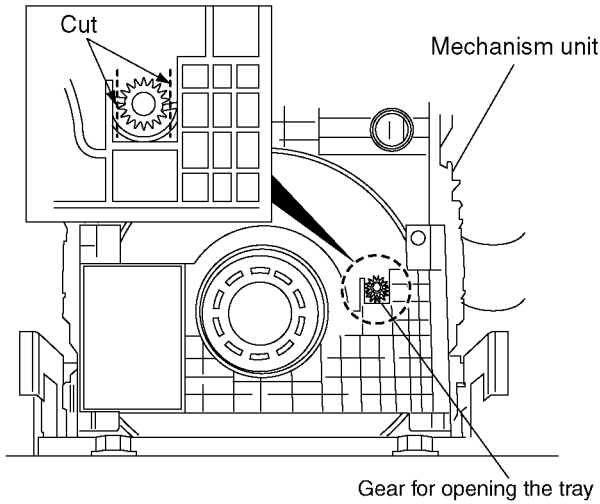
3. Top Cover

Remove the screws shown.



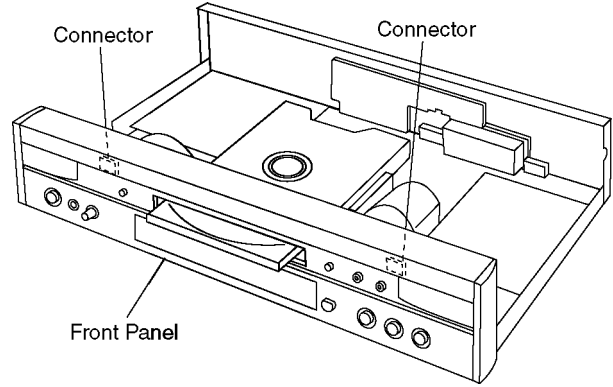
4. Tray

1. Pull the tray out of the mechanism unit. Remove the gear and install it onto a screwdriver to make a gear jig.
2. Insert the gear jig into the tray open/close hole.
3. Turn the gear jig counterclockwise to open the tray.
4. Remove the tray lid from the tray section.

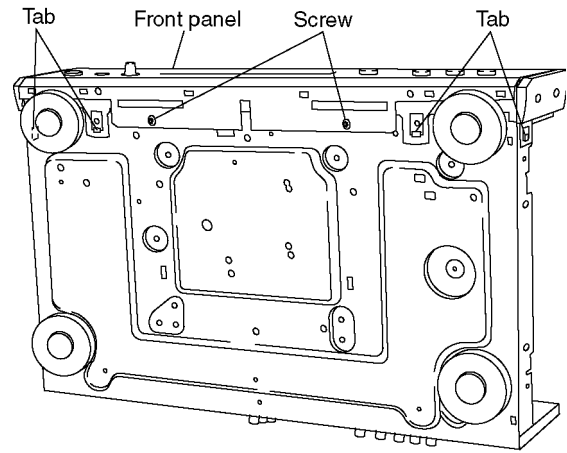


5. Front Panel

1. Remove the connectors.

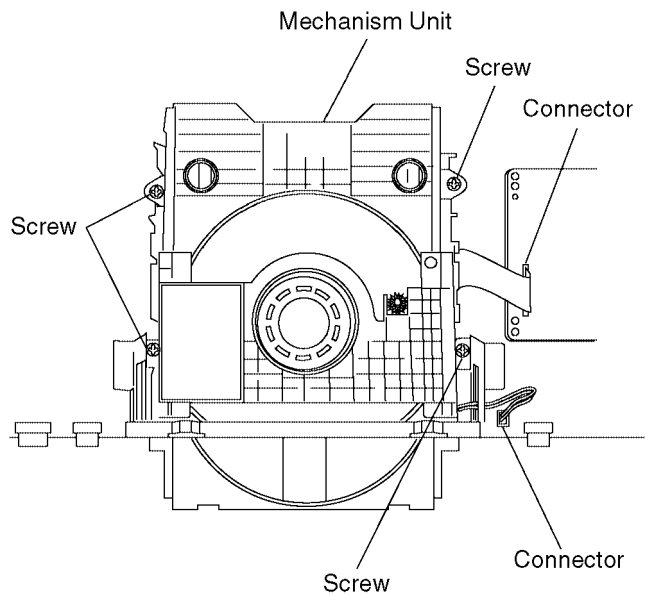


2. Remove the screws.
3. Remove the tabs.



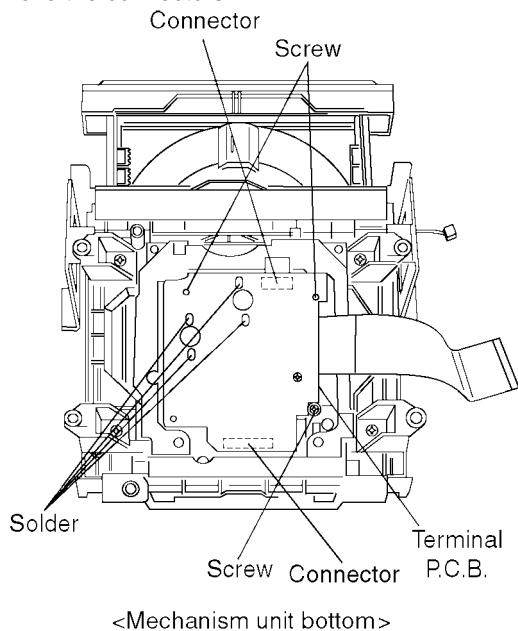
6. Mechanism Unit

1. Remove the screws.
2. Remove the connectors.
3. Pull out the mechanism unit vertically.



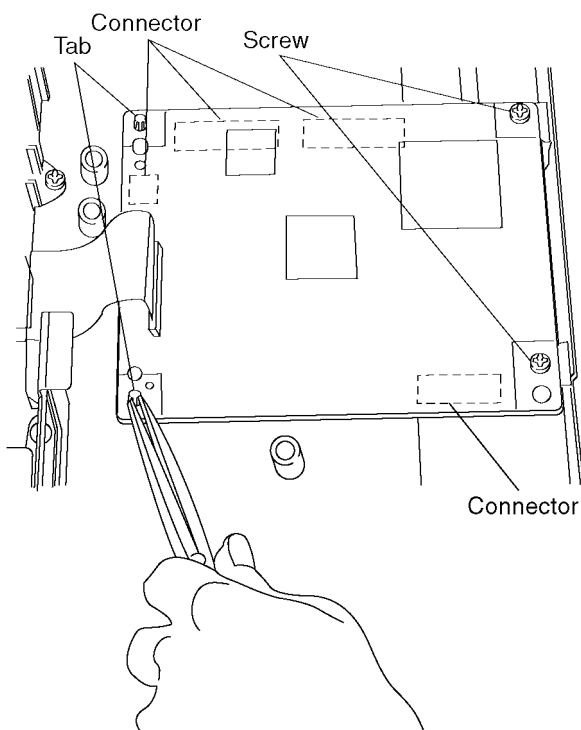
7. Terminal P.C.B.

1. Remove the screws.
2. Remove the solders.
3. Remove the connectors.



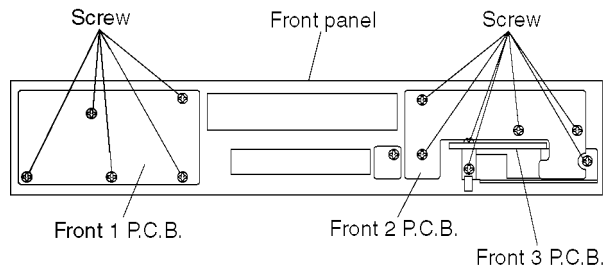
8. Module P.C.B.

1. Remove the screws.
2. Remove the connectors.
3. Squeeze each tab with pliers to pull out the module P.C.B. vertically.



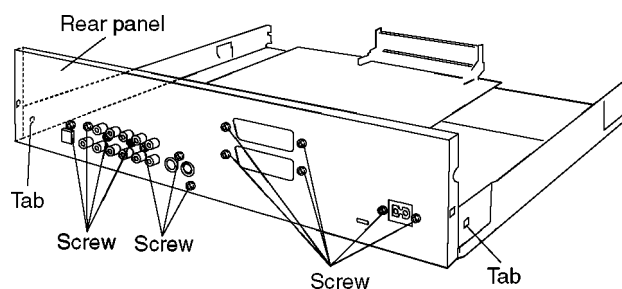
9. Front-1 P.C.B., Front-2 P.C.B., and Front-3 P.C.B.

1. Remove the screws.
2. Release the tabs.



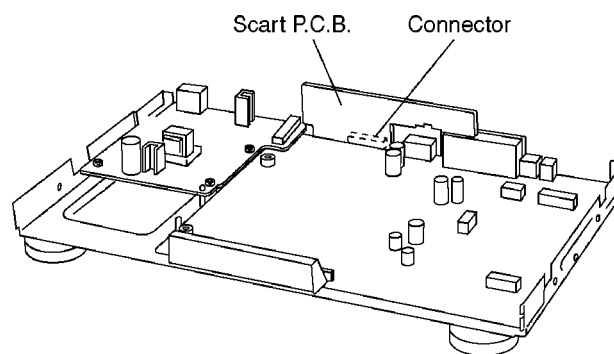
10. Rear panel

1. Remove the screws
2. Release the tabs.



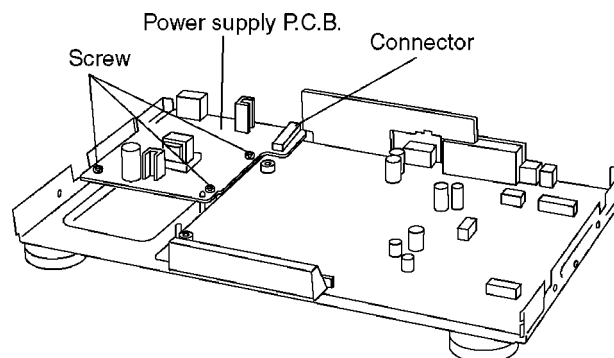
11. Scart P.C.B.

Remove the connectors.



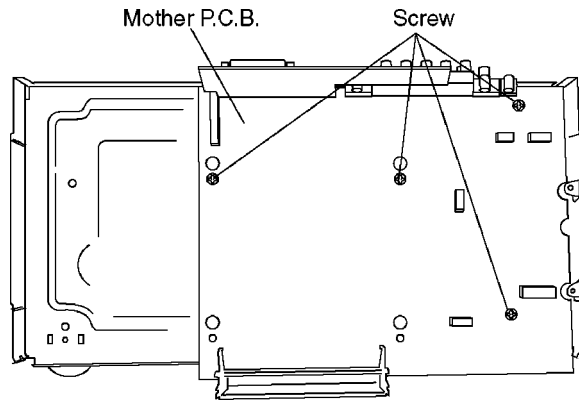
12. Power supply P.C.B.

1. Remove the screws.
2. Remove the connectors.



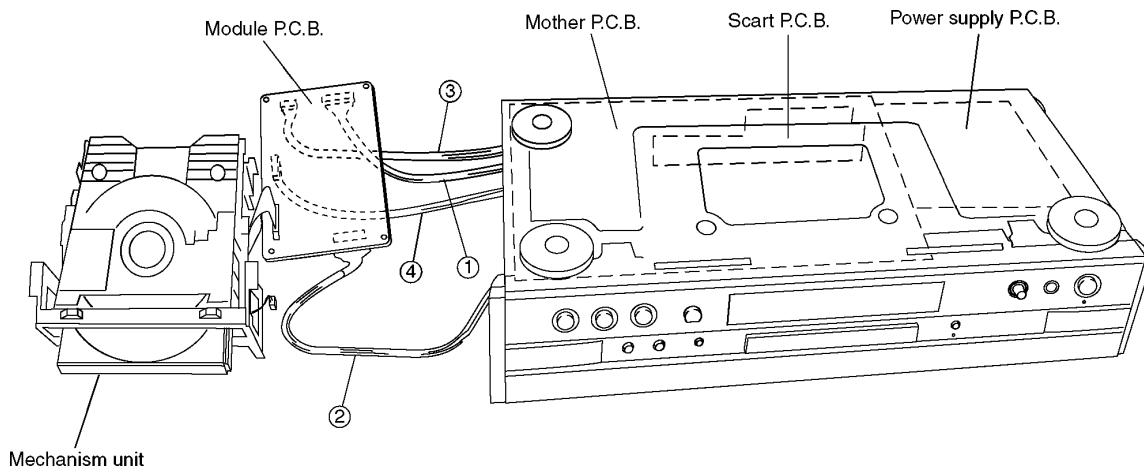
13. Mother P.C.B.

Unscrew the screws.

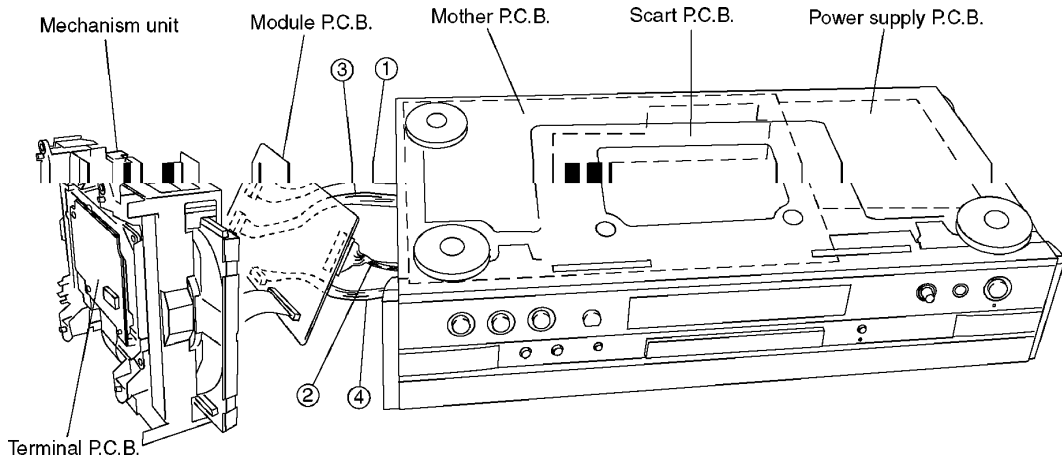


14. Servicing Position

14.1. Servicing position of the Module P.C.B.



14.2. Servicing position of the Terminal P.C.B.



14.3. List of the Extension Cables

Part No.

①	TX946370	26pins	PS4201 (Module P.C.B.) – PP4201 (Mother P.C.B.)	JGS0098
②	AAX27820	18pins	PS6202 (Module P.C.B.) – PP6001 (Mother P.C.B.)	JFKZ0098
③	AAX27830	10pins	PS3201 (Module P.C.B.) – PP3201 (Mother P.C.B.)	RFKZ0097
④	AAX16590	14pins	PS6251 (Module P.C.B.) – PP1102 (Mother P.C.B.)	VUC8026

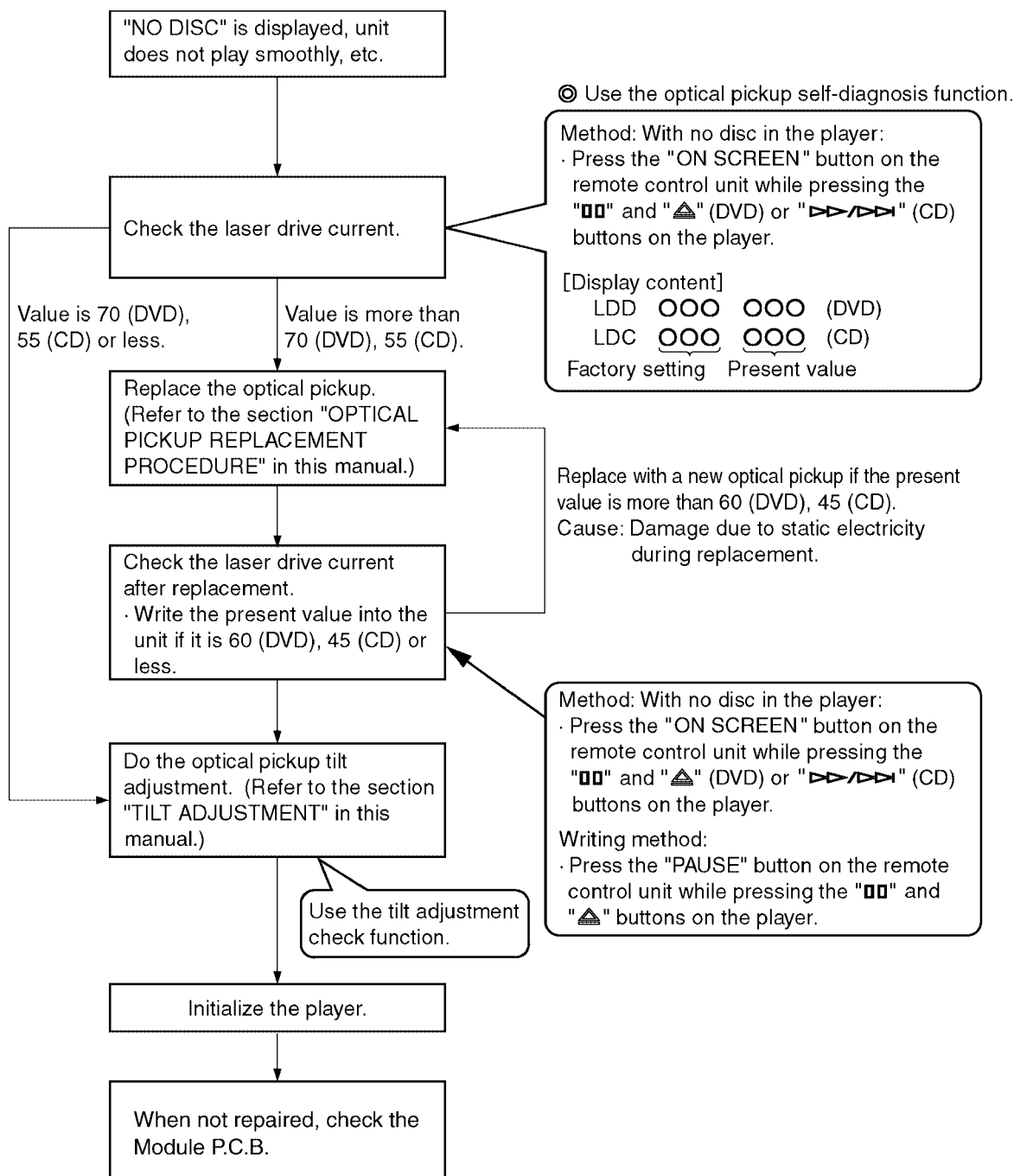
OPTICAL PICKUP SELF-DIAGNOSIS AND REPLACEMENT PROCEDURE

1. Self-diagnosis

An optical pickup self-diagnosis function and tilt adjustment check function have been included in this unit. When repairing, use the following procedure for effective Self-diagnosis and tilt adjustment. Be sure to use the self-diagnosis function before replacing the optical pickup when "NO DISC" is displayed. As a guideline, you should replace the optical pickup when the value of the CD laser drive current is more than 55 (70 for DVD).

Note:

Press the STANDBY/ON button to turn on the power. Check the value within three minutes before the unit warms up. (Otherwise, the result will be incorrect.)



2. Cautions to Be Used Before Replacing the Optical Pickup Unit and Spindle Motor Assembly

Before replacing the optical pickup unit and spindle motor assembly, check the total usage hours for each of them. The checking method is as follows:

Note: Each of these procedures should start with the unit stopped.

	Operating state & Key operation	Display
Usage hours of laser	Press " 5 " button on the remote control while pressing the "■" and "▶▶▶▶" buttons on the player. In this order while the unit is stopped.	T1_xxxx_yyyy xxxx: DVD laser Usage hours yyyy: CD laser Usage hours Total hours are displayed by 4-digit figures (unit: 10 hours).
Usage hours of SP motor	Press " 6 " button on the remote control while pressing the "■" and "▶▶▶▶" buttons on the player. In this order while the unit is stopped.	T2_xxxx Total hours are displayed by 4-digit figures (unit: 10 hours).
Resetting usage hours of CD and DVD lasers (Simultaneous resetting)	Press " 5 " button on the remote control while pressing the "□" and "▶▶▶▶" buttons on the player. In this order while the unit is stopped.	T1_0000_0000
Resetting usage hours of the motor	Press " 6 " button on the remote control while pressing the "□" and "▶▶▶▶" buttons on the player. In this order while the unit is stopped.	T2_0000

Cautions to be taken when replacing the optical pickup

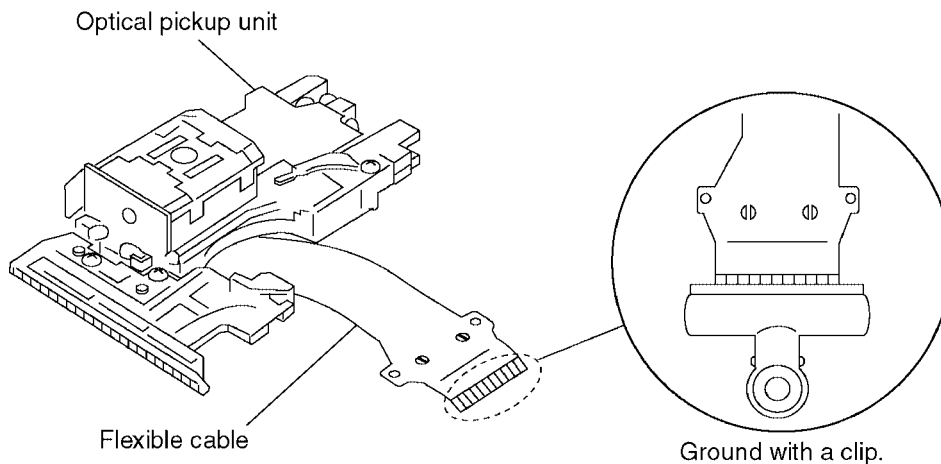
The optical pickup may become damaged due to static electricity from the human body. Take proper protection measures against static electricity before repairing the parts around the optical pickup. (See the page describing the PREVENTION OF ELECTRO STATIC DISCHARGE.)

1. Do not touch the areas around the laser diode and actuator.
2. Do not judge the laser diode with a tester. (The tester will damage the diode.)
3. It is recommended to use a anti-static soldering iron for soldering or desoldering on the pickup.
(Recommended soldering iron) HAKKO ESD Product

4. Solder the land of the flexible cable in the optical pickup.

Note:

- When using a soldering iron which is not anti-static, short-circuit the terminal face of the flexible cable with a clip. After that, short-circuit the land.
- After the repairing work is completed, remove the solder according to the correct procedure shown in this service manual.



■ SELF-DIAGNOSIS FUNCTION AND SERVICE MODES

1. Self-diagnosis Function and Service Modes

Improving the self-diagnosis function

The self-diagnosis function in our DVD player currently in use is improved as follows:

Our DVD player currently
in use

UHF error display
The latest error storage
function
n=1

Jitter/read error display

Laser drive current display
For DVD

Our new DVD

UHF error display
The latest error storage
n=20

Jitter/read error display
Focus drive value display

Laser drive current display
For DVD/CD

ADSC internal RAM data
display

Servo process display

Total operation time display
SP motor
Laser (DVD/CD)

The storage capacity is increased.

The focus drive current value can be
displayed.

The servo learning value stored in the
RAM data inside the ADSC (servo
controller) IC is displayed.

Mainly in the initial starting operation
period of the player, a number is allotted
to the servo process of each step, and the
process of the starting operation can be
displayed.

The operation times of SP motor and the
laser (both for the DVD and CD) can be
displayed.

2. Service mode table

Pressing various button combinations on the player and remote control unit can activate the service modes.

Note: For jitter check, load the DVD test disc or the CD test disc. (See page 24)

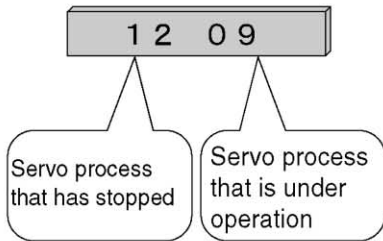
Item	Player mode and button combination	Function	Display	Cancellation method
Jitter check	In PLAY mode, press "00" and "▲" buttons on the player, and "5" button on the remote control unit.	Jitter check Jitter rate is measured and displayed. Measurement is repeatedly done in the cycle of one second. Read error counter starts from zero upon mode setting. When target block data failed to be read out, the counter advances by one increment. When the failure is caused by minor error, it may be corrected when retried to enable successful reading. In this case, the counter advances by one. When the error persists even after retry, the counter may jump by two or more.	J_xxx_yyy_zz <p>Focus drive value Read error counter Jitter rate Jitter check mode</p> <p>Jitter rate is shown in decimal notation to one place of decimal. Focus drive value is shown in hexadecimal notation.</p>	Press STOP or OPEN button.
Error code check	In STOP mode, press "00" and "▲" buttons on the player, and "0" button on the remote control unit. * With pointing of cursor up and down on display, the panel controller switches serial number of history and sends out the command accordingly.	Error code check The latest error code stored in EEPROM is displayed.	Error code (play_err) is expressed in the following convention. Error code = 0 x DAXX is expressed: → nn UXX Error code = 0 x DBXX is expressed: → nn HXX Error code = 0 x DXXX is expressed: → nn FXXX Error code = 0 x 0000 is expressed: → nn F-- * "nn" denotes the serial number of history.	Cancelled automatically 5 seconds later.
Initial setting of laser drive current	In STOP mode, press "00" and "▲" buttons on the player, and "PAUSE" button on the remote control unit.	Initial setting of laser drive current. The Initial current value for each DVD laser and CD laser is separately saved in EEPROM.	LDO_034_028 <p>CD laser current measurement DVD laser current measurement Laser current measurement mode</p> <p>The value denotes the current in decimal notation. The above example shows the initial current is 34mA and 28mA for DVD laser and CD laser respectively when the laser is switched on.</p>	Cancelled automatically 5 seconds later.
DVD laser drive current measurement	In STOP mode, press "00" and "▲" buttons on the player, and "ON SCREEN" button on the remote control unit.	DVD laser drive current measurement. DVD laser drive current is measured and the result is displayed together with the initial value stored in EEPROM. After the measurement, DVD laser emission is kept on. It is turned off when the POWER key is switched off. (It is also turned off when the primary power is switched off.)	LDD_034_032 <p>Measured current Initial current stored in EEPROM DVD laser current measurement mode</p> <p>The value denotes the current in decimal notation. The above example shows the initial current is 34mA and the measured value is 32mA.</p>	Cancelled automatically 5 seconds later.
ADSC internal RAM data check	In STOP mode, press "00" and "▲" buttons on the player, and "RETURN" button on the remote control unit.	ADSC internal RAM data check. ADSC internal RAM data is read out and displayed. Change the address with CANCEL key operation to show the data for 11 addresses.	A_DFA_6901 <p>RAM data for specified address Address ADSC internal RAM data check mode</p> <p>The value is shown in hexadecimal notation. The above example shows the data in ADSC address DFAh is 6901h.</p>	Press STOP or OPEN button.
Servo process display	In STOP mode, press "00" and "▶▶▶▶" buttons on the player, and "7" button on the remote control unit.	Servo process display The servo process from STOP to ACCESS is displayed.	_____	Turn off the power.
CD laser drive current measurement	In STOP mode, press "00" and "▶▶▶▶" buttons on the player, and "ON SCREEN" button on the remote control unit.	CD laser drive current measurement CD laser drive current is measured and the result is displayed together with the initial value stored in EEPROM. After the measurement, CD laser emission is kept on. It is turned off when the POWER key is switched off. (It is also turned off when the primary power is switched off.)	LDC_028_026 <p>Measured current Initial current stored in EEPROM CD laser current measurement mode</p> <p>The value denotes the current in decimal notation. The above example shows the initial current is 28mA and the measured value is 26mA.</p>	_____

Item	Player mode and button combination	Function	Display	Cancellation method
Version display	In STOP mode, press "00" and "▲" buttons on the player, and "7" button on the remote control unit.	Version display	<p>srrr_xyzzz</p> <ul style="list-style-type: none"> System controller release number System controller model number System controller generation Panel controller release number Panel controller model number 	Cancelled automatically 5 seconds later.
Lighting of display tube	In STOP mode, press "00" and "▲" buttons on the player, and "9" button on the remote control unit.	Lighting of display tube	_____	Turn off the power.
Dealer's lock	In STOP mode, keep pressing "□" button on the player and "POWER" button on the remote control unit for a few seconds.	Dealer's lock The lock is switched ON or OFF. When dealer's lock is ON, it prohibits switching off of the secondary power and tray opening. When the lock is switched, its ON/OFF status is stored in EEPROM.	<ul style="list-style-type: none"> "LOCKED" is displayed when dealer's lock is switched on, or when secondary power key or tray opening key is pressed while the lock is on. "UNLOCKED" is displayed when dealer's lock is switched off. 	Repeat the same operation.
Initialization	In STOP mode, press "00", "◀◀/▶▶" and "▲" buttons on the player for 3 seconds or longer.	Initialization User settings are cancelled and player is initialized to factory setting.	"INITIALIZED"	
Region display	In STOP mode, press "00", "▲" and buttons on the player, and "6" button on the remote control unit.	Region display	<p>X_yy_zzz</p> <ul style="list-style-type: none"> N: NTSC / 6: PAL60 N: noPAL / P: PAL Region No. 	Cancelled automatically 5 seconds later.

Item	Player mode and button combination	Function	Display	Cancellation method
Timer 1 check	In STOP mode, press "00" and "▶▶/▶▶" buttons on the player, and "5" button on the remote control unit.	Timer 1 check Laser operation timer: Operation time is measured separately for DVD laser and CD laser.	T1_1234_5678 Shown to the left is DVD laser time, and to the right CD laser time. Time is shown in 4 digits of decimal notation in a unit of 10 hours. "0000" will follow "9999".	Cancelled automatically 5 seconds later.
Timer 1 reset	While displaying Timer 1 data, press "□" and "▶▶/▶▶" buttons on the player, and "5" button on the remote control unit.	Timer 1 reset Laser operation timer: Operation time of both DVD laser and CD laser is reset all at once.	T1_0000_0000	Cancelled automatically 5 seconds later.
Timer 2 check	In STOP mode, press "00" and "▶▶/▶▶" buttons on the player, and "6" button on the remote control unit.	Timer 2 check Spindle motor operation timer	T2_1234 Time is shown in 4 digits of decimal notation in a unit of 10 hours. "0000" will follow "9999".	Cancelled automatically 5 seconds later.
Timer 2 reset	While displaying Timer 2 data, press "□" and "▶▶/▶▶" buttons on the player, and "6" button on the remote control unit.	Timer 2 reset Spindle motor operation timer reset	T2_0000	Cancelled automatically 5 seconds later.

3. Servo Process Flow

Specification of the servo process display in the starting flow



(Restrictions)
All processes that are under operation cannot be displayed due to the limit of the processing time.

Starting flow	Range of the servo process numbers	Processing items	
		Number	Contents of each process
START			
Initial setting Tray control	00	00	Each initial setting
TRV initial movement	01	01	TRV initial movement
Disc detection	02~08	02	Initial setting in FE system
		05	Detecting LD ON HALF
		08	Detecting CD LD ON
Disc type distinction	02~08	02	Initial setting in FE system
Focus servo	10~13	12	Focus ON
		13	FBAL adjustment
Tracking servo	14~15	15	Tracking ON
Gain learning	17	17	Gain adjustment in ADSC focus system
ID read	18~1A	19	DBAL/equalizer adjustment
		1A	ID read

LD: Laser Diode

4. Servo Process Display Mode

In starting operation of the player, a number is allotted to each servo process so that the operation of each step can be seen.

The relation between the process and the displayed number are as follows:

Number allotment to the servo process

Process classification	Each processing item	Description	Process number
Initial start process	Initial start	The process starts after the tray is loaded. (The state is changed to "READY" or "PREPARE".)	0~40
	Secondary learning	Servos for the DVD-DL 1st layer and the CD-DA double speed are learned in this step.	50~7F
Restart process	Restart	When a user operates in the "READY" state, each servo is turned on.	80~9F
Seek process	Seek	The optical pickup is moved to the disc destination in this process.	A0~BF
Repair process	Recover		
	(Error check)	An error is searched in the PLAY/SEEK state.	C1~C3
	(Attention)	An error is recovered following the attention error interrupt from the S-ODC.	C4~C6
	(Q code read)	If any Q code is improperly read, reset and retry.	C7~C9
Stop process	Stop	A servo is controlled in response to the user's operation to stop the disc completely.	F0~FF

5. ADSC Internal Ram Data Display

The servo learning value in the RAM data inside the servo processor ADSC is displayed.

This value is useful for evaluating the servo operation, disc quality and the OPU.

The basic contents are shown below:

Address

Contents of display

4B4	Focus gain learning value for DVD-S, DVD-D(L0), CD, and VCD
4BC	Focus gain learning value for DVD-D(L1)
4B6	Focus balance learning value for DVD-S, DVD-D(L0), CD, and VCD
4BE	Focus balance learning value for DVD-D(L1)
4B5	Tracking gain value for DVD-S, DVD-D(L0), CD, and VCD
4BD	Tracking gain value for DVD-D(L1)
TB0	Tracking balance value for DVD-S, DVD-D(L0), CD, VCD
TB1	Tracking balance value for DVD-D(L1)
DBD	DSL offset learning value for DVD-S and DVD-D
DBC	DSL offset learning value for CD and VCD
FC0	Equalizer FC value for DVD-S, DVD-D(L0), CD, and VCD
BT0	Equalizer BOOST value for DVD-S, DVD-D(L0), CD, and VCD
FC1	Equalizer FC value for DVD-D(L1)
BT1	Equalizer BOOST value for DVD-D(L1)

6. Sales demonstration lock function

This function prevents discs from being lost when the unit is used for sales demonstrations by disabling the disc eject function. "LOCKED" is displayed on the unit, and ordinary operation is disabled.

6.1. Setting

The sales demonstration lock is set by simultaneously pressing the "□" button on the player and the "POWER" button on the remote control unit for a few second.

6.2. Cancellation

The lock can be cancelled by the same procedure as used in setting. "UNLOCKED" is displayed on cancellation. (Disconnecting the power cable from the power outlet does not cancel the lock function.)

7. Service Precautions

7.1. Recovery after the dvd player is repaired

When a FROM or an EEPROM in and on the module P.C.B. has been replaced, carry out the recovery disc procedure to optimize the drive.

Playback the disc above to perform the recovery automatically,

Recovery disc: RFKZD5TR001 (AAX27810)

Note:

This unit requires no initialization procedure carried out as when traditional DVD players were repaired.

When the recovery measures are taken, the customer setting will return to the factory setting and the player will be reset.

7.2. Firmware version-up of the DVD player

The firmware of the DVD player may be updated to improve the quality, including optimizing operationability and playability with substandard discs.

The version-update disc also has a recovery function so that you don't need to use the recovery disc again.

Note:

If the AC power supply is lost during version-updating due to a power failure, the version-update is improperly carried out. In such a case, replace the FROM and carry out the version-update again.

The product number of the version-update disc will be noticed when it is supplied.

8. Handling After Completing Repairs

Use the following procedure after completing repairs.

8.1. Method

Confirm that the power is turned on:

1. Press the "OPEN/CLOSE" button to close the tray.
2. Press the "POWER" button to turn off the power.
3. Disconnect the power plug from the outlet.

8.2. Precautions

Do not disconnect the power plug from the outlet with the tray still open, then close the tray manually.

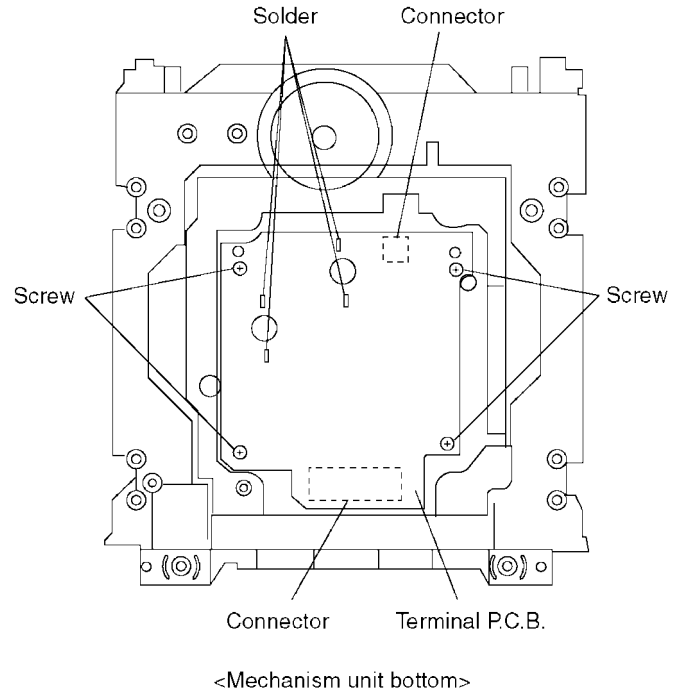
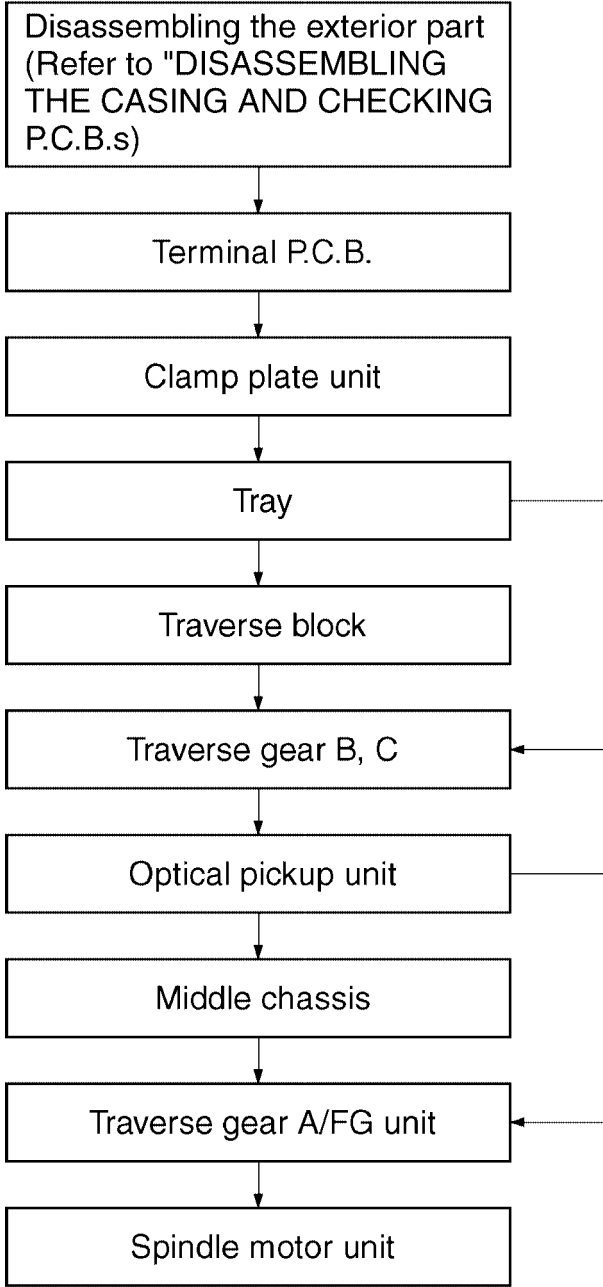
9. Error Code

	Description of error	Supplementary explanation	Faulty point 1	Faulty point 2	Faulty point 3	Faulty point 4
	L. H error					
U11	Focus error					
H01	Tray loading error					
H02	Spindle servo error	(Spindle servo, DSC SP motor, CLV servo error)				
H03	Traverse servo error					
H04	Tracking servo error					
H05	Seek error					
H06	Power supply error	The power cannot be turned off due to a communication error between the panel control and the system control.				
	DSC related error					
F500	DSC error	DSC is stopped due to occurrence of a servo error. (startup, focus error, etc.)	OPU	ADSC	FEP	Servo drive
F501	DSC not ready	Communication error between DSC and system control (communication failure due to DSC not at work)	ADSC	CPU		
F502	DSC time out error	To be handled in the same way as F500	OPU	ADSC	FEP	Servo drive
F503	DSC communication failure	Communication error (A communication command was transmitted but an error occurred.)	ADSC	FEP	EEPROM	
F505	DSC Attention Error	To be handled in the same way as F500	OPU	ADSC	FEP	Servo drive
F506	Invalid media	The disc is upside down, TOC cannot be read, unusable disc	Disc	FEP	ADSC	ODC
	ODC related error					
F600	No control data is obtainable due to a demodulation error	Operation is stopped because the navigation data cannot be obtained due to a faulty condition of the demodulation system	ODC	FEP	ADSC	
F601	Undefined sector ID is requested.	Operation is stopped due to a request for access by an abnormal ID data.	ODC	FEP	ADSC	
F602	LEAD-IN is not obtainable due to demodulation error.	LEAD IN data cannot be read.				
F603	KEYDET is not obtainable due to a demodulation error	The CSS data of the disc cannot be obtained.				
F610	ODC abnormal	Issuing a command is not permitted.	ODC			
F611	6626 QCODE don't read Error	No seek address is obtainable in the CD system.	ODC			
F612	No CRC OK is issued for a certain time.	No ID data is obtainable in the DVD system.	ODC			
F630	No response is provided for the inquiry of KEY DET.	(Only when used internally)				
F631	CPPM KEY DET is not usable until the end of the file.	The CPPM file system cannot be read due to a scratch, etc.	Disc	CPPM		
F632	CPPM-KEY-DET is not usable.	CPPM-KEY-DET is revoked or falsified.	Disc	EEPROM	CPPM	
	Disc code					
F103	Illegal highlight position	It is highly possible that disc code is violated when displaying the highlight.	Disc			
	IIC error					
F4FF	Forcible initialization failure (time-out)		EEPROM	CPU	FEP	ADSC
	Microprocessor error					
F700	MBX overflow	When sending a message back to Disc Manager	Firm bug			
F701	Message command does not end.	Next message was issued before replying to Disc Manager.	Firm bug			
F702	Message command is changed.	The message is changed before replying to Disc Manager.	Firm bug			
F880	Incorrect task number	When a message comes from non-existing task (error stop, firm bug correction required)	Firm bug			
F890	Message transmission is attempted while transmitting to AV task	A message is being transmitted to AV task (error stop, firm bug correction, etc.)	Firm bug			
F891	A message cannot be transmitted to AV task.	Transmission of a message to AV task is started. (error stop, firm bug correction required)	Firm bug			
F893	FROM is falsified.		FROM	CPU		
F894	EEPROM abnormal		EEPROM	Serial communication line		
F8A0	Message command is not correct.	Transmission of a message to AV task is started. (error stop, firm bug correction required)	Firm bug			

OPU : Optical Pick Up, DSC : Digital Servo Controller, FEP : Front End Processor, ODC : Optical Disc Controller, FROM : Flash ROM

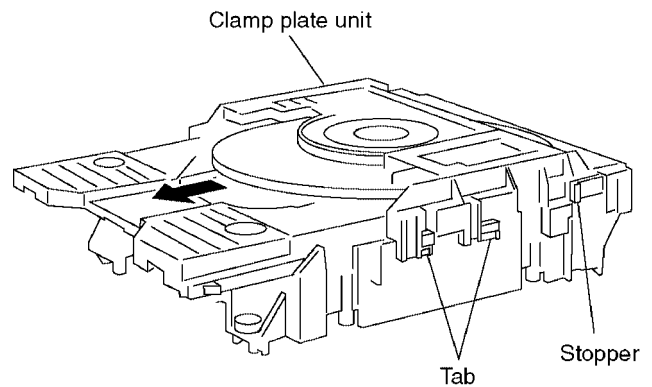
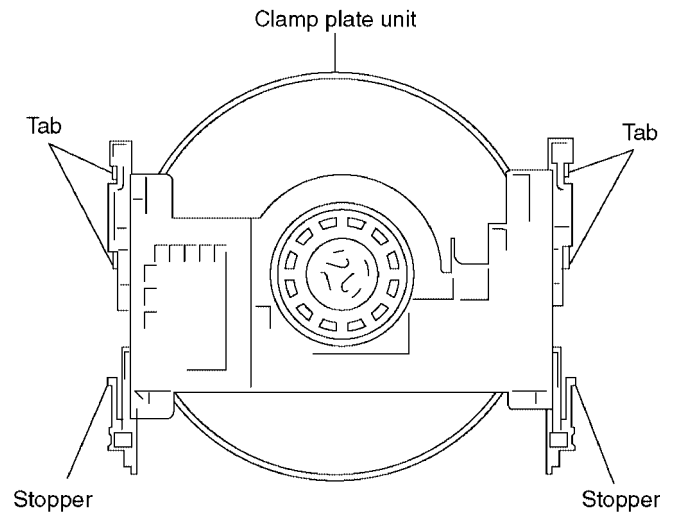
ASSEMBLING AND DISASSEMBLING THE MECHANISM UNIT

1. Disassembly Procedure



3. Clamp Plate Unit

Spread the stopper with hand to slide the tabs and remove the clamp plate unit.



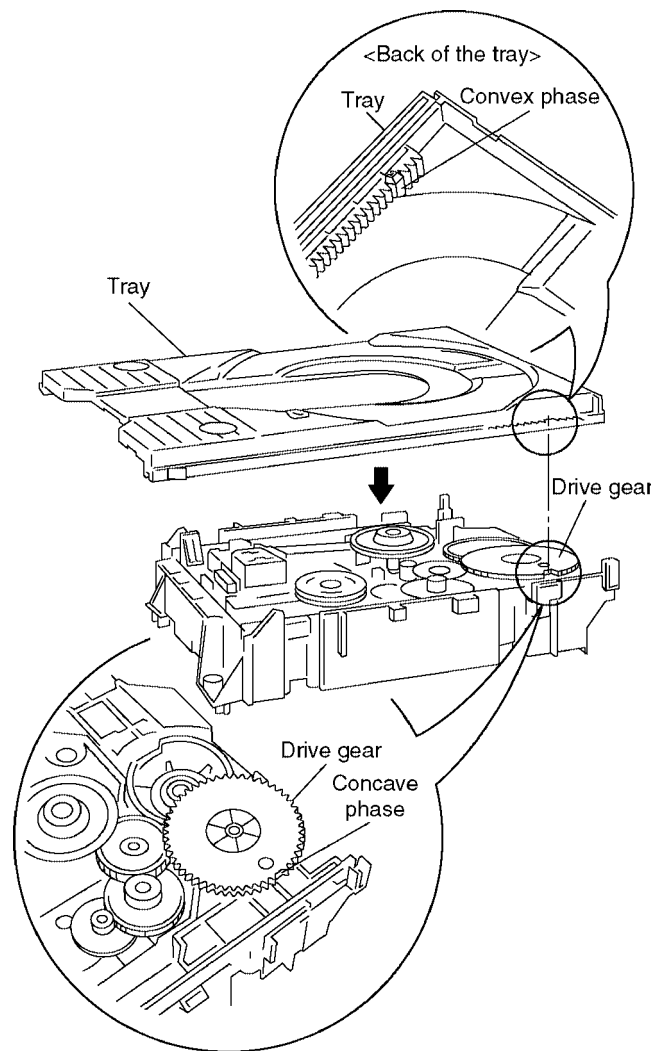
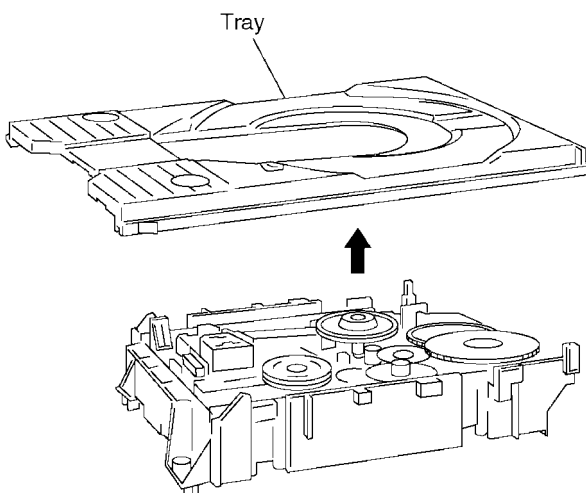
2. Terminal P.C.B.

1. Remove the screws.
2. Remove the solder from the motor connections.
3. Remove the connectors.

DVD-S1200

4. Tray

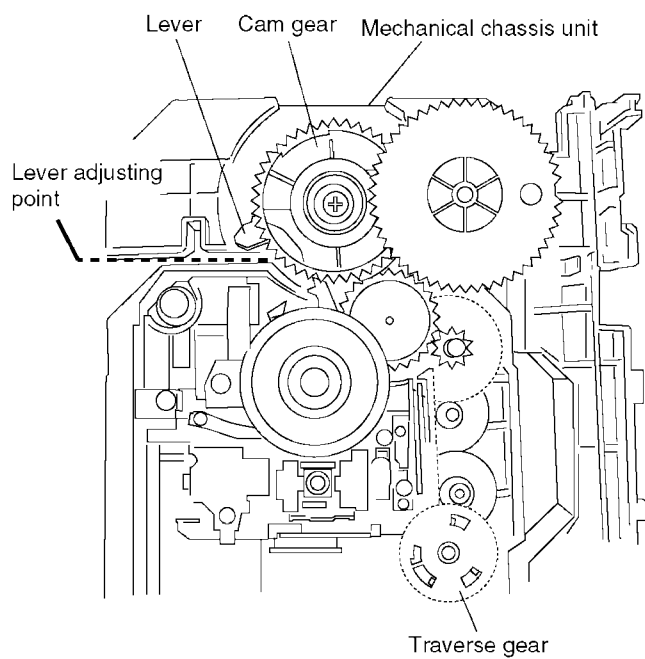
Lift the tray.



<Figure 2>

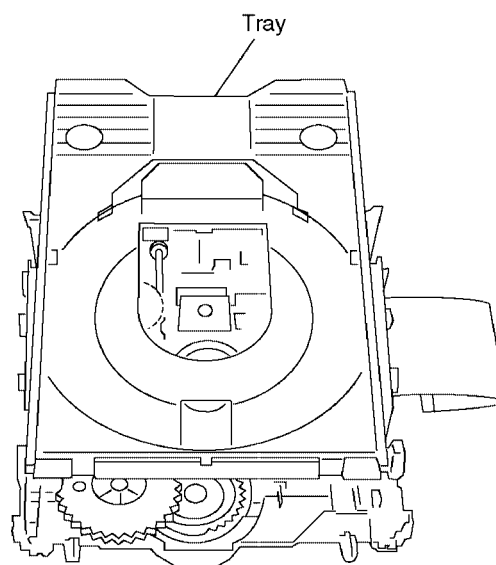
<Precautions in reassembling the tray>

- Reassemble the tray so that it is in the backmost position.
1. Turn traverse gear until cam gear lever comes to the lever adjusting position at the end of the mechanical chassis unit.



<Figure 1>

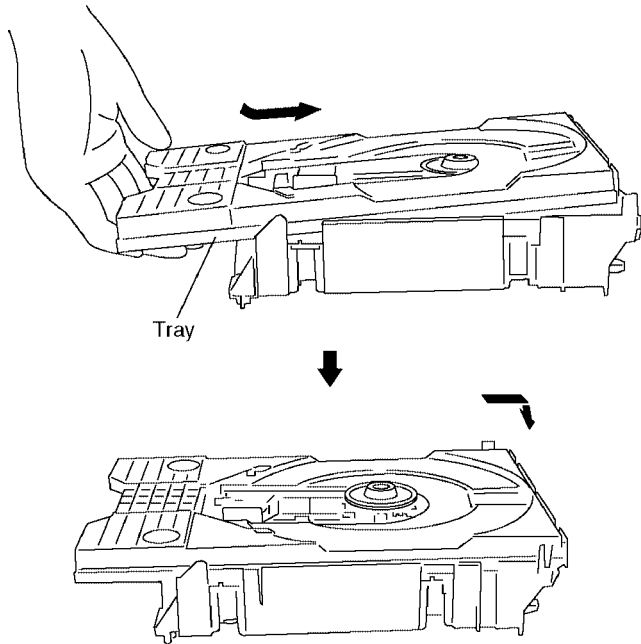
a. Place the tray on the unit from rearward.



<Figure 3>

2. Check the position of convex phase on back of the tray, and that of concave phase on drive gear.

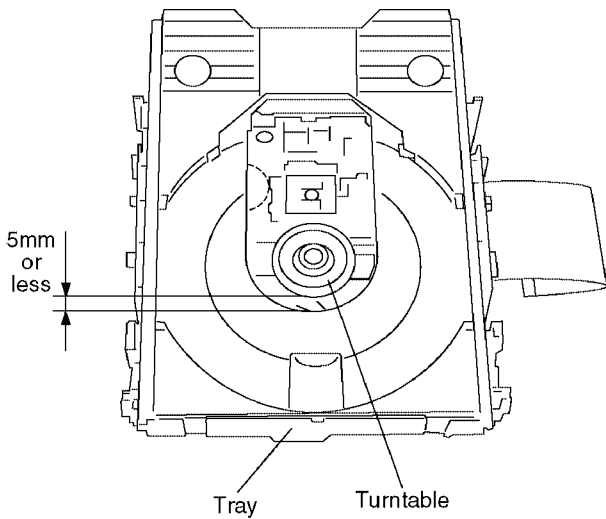
b. Inch the tray forward until convex phase and concave phase mate.



<Figure 4>

Caution:

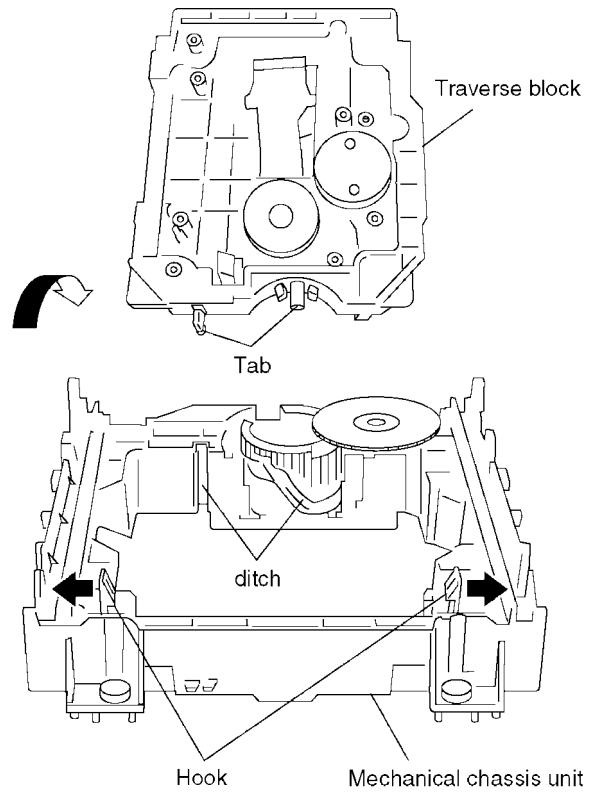
Make sure to mate convex phase and concave phase properly, so that the gap between turntable and tray becomes 5mm or less.



<Figure 5>

5. Traverse Block

1. Lift the traverse block while spreading the hook of the mechanical chassis unit.
2. Disengage the tabs from the holes of the mechanical chassis unit.



<Precautions in reassembling the traverse block>

- Take the following precautions when reassembling the traverse block.
 1. Turn traverse gear on the traverse block to let trigger lever turn rightward.
 2. Bring cam gear lever to the lever adjusting position at the end of mechanical chassis unit.
 3. Put tabs A and B into slots A and B respectively. Place tabs C into hooks to mount the traverse block on mechanical chassis unit. (Slot A... Mechanical Chassis, Slot B... Cam Gear)

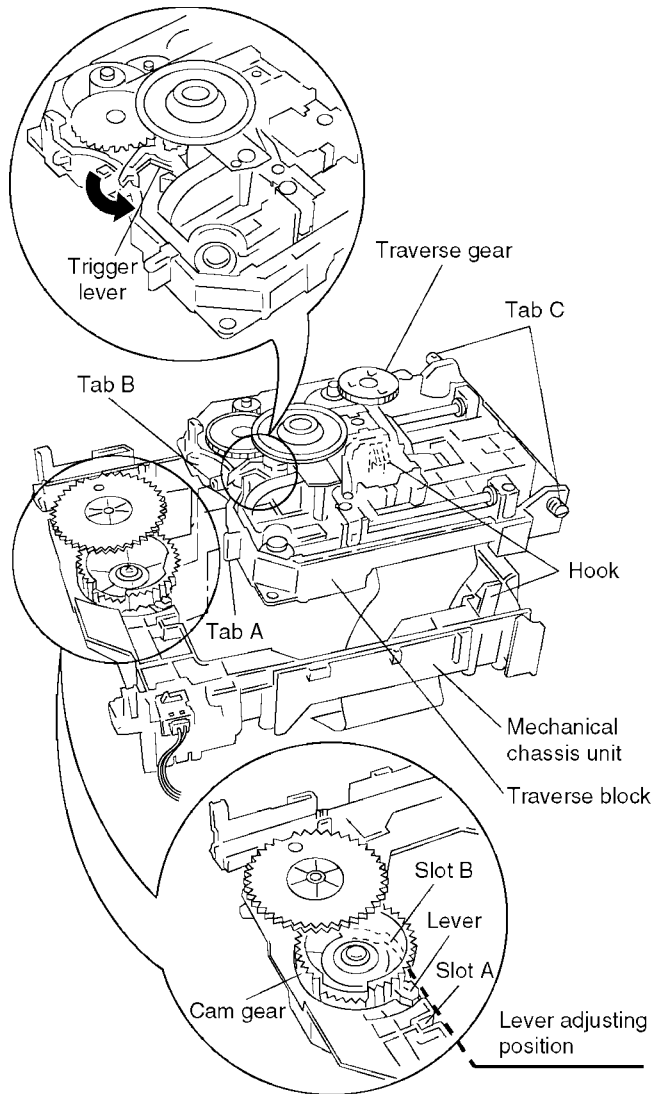
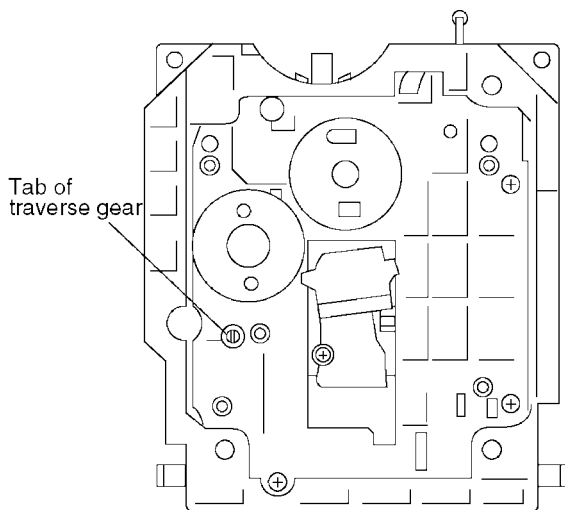


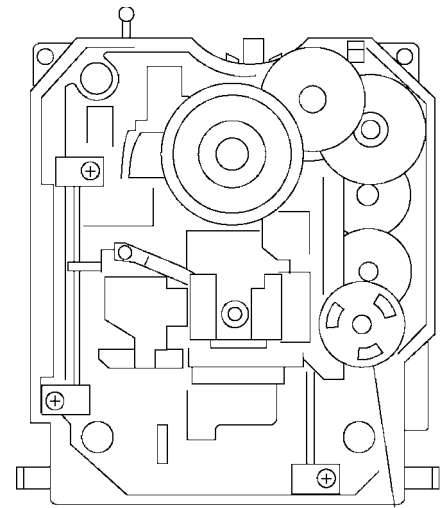
Figure 6

6. Traverse Gear

1. Disengage the tabs from the traverse gear.
2. Remove the traverse gears B and C.



<Traverse block bottom>

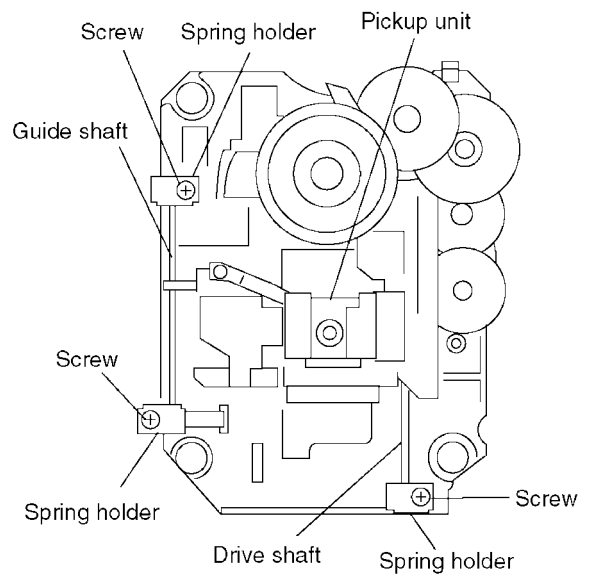


Traverse gears B and C

Note: The traverse gear B is under the travers gear C.

7. Optical Pickup Unit

1. Remove the screws.
2. Remove the spring holders and the springs.
3. Pull out the drive shaft and guide shaft.



Precautions in optical pickup replacement

The optical pickup can be damaged by static electricity from you body. Be sure to take static electricity countermeasures when working around the optical pickup.

(Refer to the related page in this Manual about the countermeasures.)

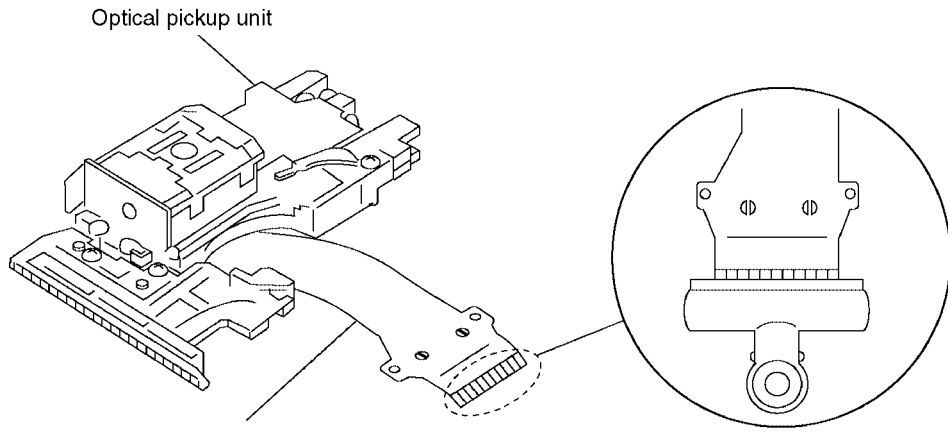
1. Do not touch the laser diode, actuator or their associated parts.
2. Do not use a tester to check the laser diode. (Laser diode can be damaged easily.)

3. Using an anti-static soldering iron with is recommended when adding or removing the laser diode shorting jumper.

4. Solder the land on flexible cable of optical pickup unit.

Caution

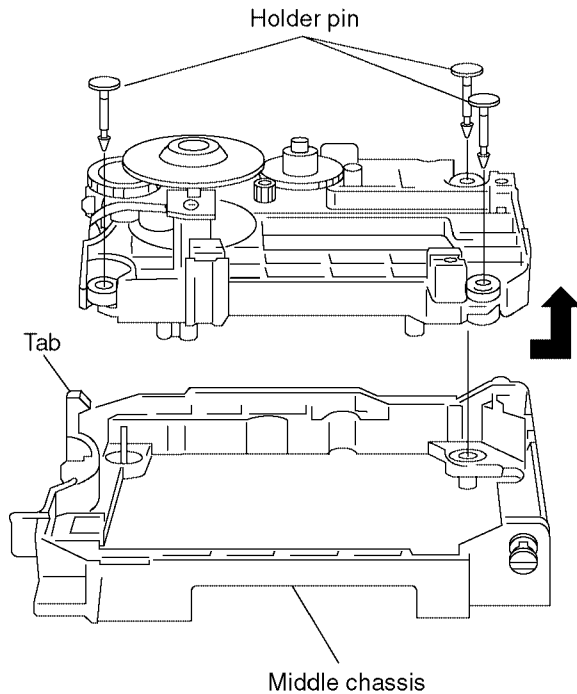
- When using the soldering iron without anti-static feature, short-circuit the flexible cable terminal with a clip before short-circuiting the land.
- After completing the repair, remove the solder from the laser diode shorting jumper properly following the procedures described in this Manual.



Use a clip or other item to ground the unit.

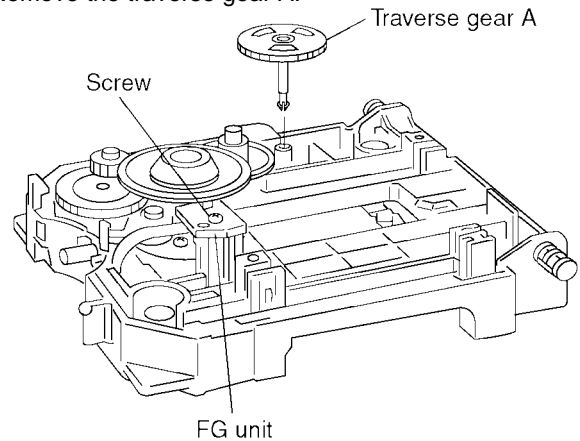
8. Disassembling the Middle Chassis

1. Remove the holder pins.
2. Remove the tab.
3. It lifts while pulling it in the direction of the arrow.



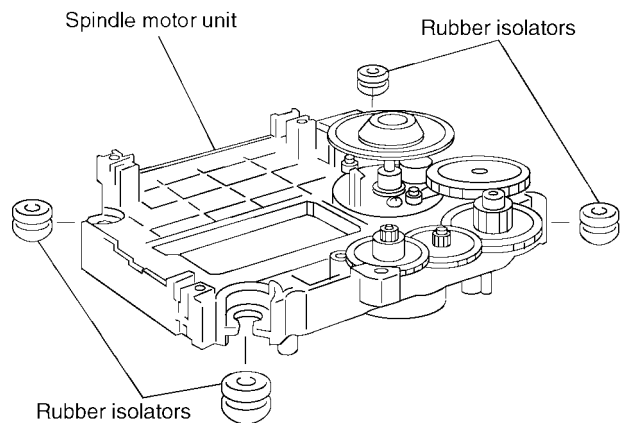
9. Disassembling the Traverse Gear A/FG unit

1. Remove the screw.
2. Remove the traverse gear A.



10. Disassembling the Spindle Motor Unit

Remove the rubber isolators.



■ ADJUSTMENT

1. Service Tools and Equipment

Application	Name	Number
Tilt adjustment	DVD test disc	DVDT-S15 (AAX07320) or DVDT-S01 (TX946080)
	Hex wrench	JZS0100 (TX946380)
Inspection	Extension cable 26P (module P.C.B. to mother P.C.B.)	JGS0098 (TX946370)
	Extension cable 18P (module P.C.B. to mother P.C.B.)	JFKZ0098 (AAX27820)
	Extension cable 10P (module P.C.B. to mother P.C.B.)	RFKZ0097 (AAX27830)
	Extension cable 14P (module P.C.B. to mother P.C.B.)	VUC8026 (AAX16590)
Others	Screw lock	RZZ0L01 (TX946400)
	Grease	RFKXGAK152 (AAX27800)
	Oil	RFKXGA1280 (AAX27790), JZS0648 (TX946410)
Confirmation	CD test disc	PVCD-K06 (TX946090) or any other commercially available disc
	VCD test disc	PVCD-K06 (TX946090) or any other commercially available disc
	Recovery disc	RFKZD5TR001 (AAX27810)

2. Important points in adjustment

2.1. Important points in optical pickup tilt adjustment

- Before starting optical pickup tilt adjustment, be sure to take anti-static measures.
- Optical pickup tilt adjustment is needed after replacement of the following components.

1. Optical pickup unit
2. Spindle motor unit
3. Optical pickup peripheral parts (such as the rail)

Notes

Adjustment is generally unnecessary after replacing other parts of the traverse unit. However, make adjustment if there is a noticeable degradation in picture quality. Optical adjustments cannot be made inside the optical pickup. Adjustment is generally unnecessary after replacing the traverse unit.

2.2. Important points in electrical adjustment

- Follow the adjustment procedures described in this Manual.

3. Storing and Handling Test Discs

- Surface precision is vital for DVD test discs. Be sure to store and handle them carefully.

1. Do not place discs directly onto the workbench, etc., after use.
2. Handle discs carefully in order to maintain their flatness. Place them into their case after use and store them vertically. Store discs in a cool place where they are not exposed to direct sunlight or air from air conditioners.
3. Accurate adjustment will not be possible if the disc is warped when placed on a surface made of glass, etc. If this happens, use a new test disc to make optical adjustments.
4. If adjustment is done using a warped disc, the adjustment will be incorrect and some discs will not be playable.

4. Optical pickup tilt adjustment

Adjustment point	Tangential adjustment screw, Tilt adjustment screw
Mode	T01 (inner periphery) play, T43 (outer periphery) play
Disc	DVDT-S15 (AAX07320) or DVDT-S01
Measuring equipment	None (Use main unit servicing display.)
Adjustment value	Adjust to the minimum jitter value.

4.1. Adjustment procedure

1. While pressing the " " button and the " " button on the main unit, press the "5" button on the remote control unit.
2. Confirm that "J_xxx_yyy_zz" is shown on the front display.

For your information:

"yyy" and "zz" shown to the right have nothing to do with the jitter value. "yyy" is the error counter, while "zz" is the focus drive value.

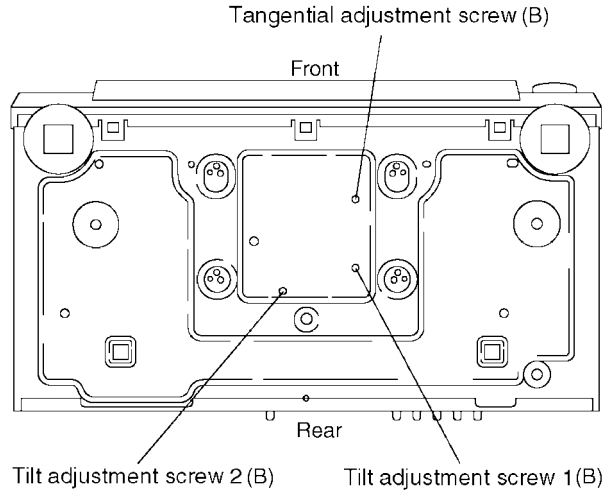
Note:

Jitter value appears on the front display.

3. Play test disc T01 (inner periphery).
4. Adjust tangential adjustment screw so that the jitter value is minimized.
5. Play test disc T43 (outer periphery).
6. Adjust tilt adjustment screw 1 so that the jitter value is minimized.
7. Play test disc T43 (outer periphery).
8. Adjust tilt adjustment screw 2 so that the jitter value is minimized.
9. Repeat adjusting tilt adjustment screws 1 and 2 alternately until the jitter value is minimized.

4.2. Important points

1. Make tangential adjustment first, and then make tilt adjustment.
2. Repeat adjusting two or three times to find the optimum point.
3. Finish the procedure with tilt adjustment.

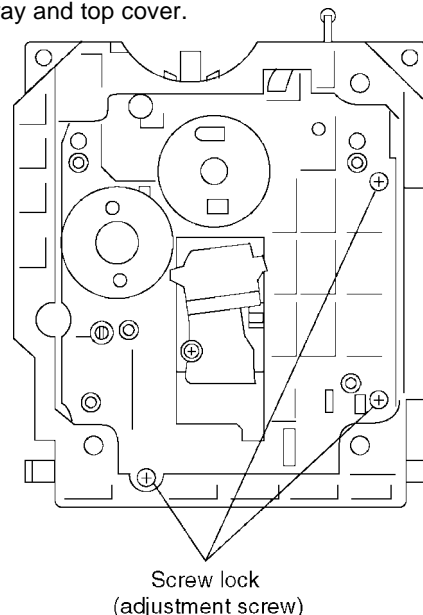
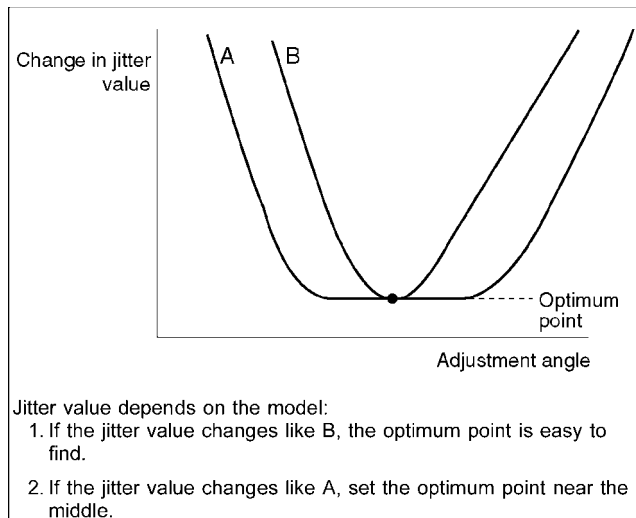


4.3. Check after adjustment

Play test disc or any other disc to make sure there is no picture degradation in the inner, middle and outer peripheries, and no audio skipping. After adjustment is finished, lock each adjustment screw in position using screw lock.

4.4. Procedure for screw lock

1. After adjustment, remove the top cover, tray, clamper base and traverse unit in this sequence.
2. Lay the traverse unit upside down, and lock the adjustment screw with screw lock.
3. After locking, reassemble the traverse unit, clamper base, tray and top cover.



5. ELECTRICAL ADJUSTMENT

Do this confirmation after replacing a P.C.B.

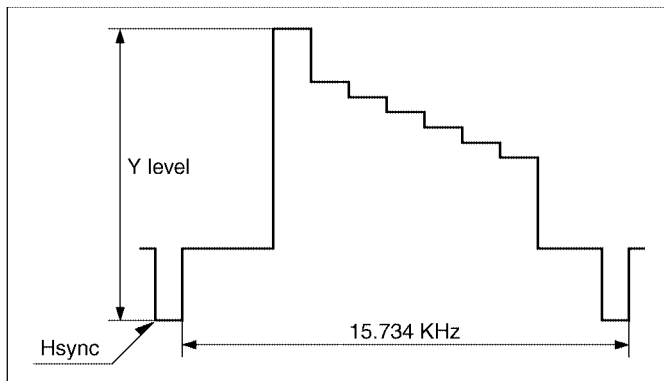
5.1. Video Output (Luminance Signal) Adjustment

Do this confirmation after replacing a P.C.B.

Measurement point	Mode	Disc
S-video output terminal (Y OUT)	PLAY	DTDT-S15 (Title 10), DVDT-S01 (Title 48) Color bar 100%
Measuring equipment, tools	Adjustment value	Adjustment point
Screwdriver, Oscilloscope 200mV/div10μsec/div	1000mVp-p±20mV	VR3225

Purpose: To maintain video signal output compatibility.

1. Connect the oscilloscope to the S-video output and terminate at 75 ohms.
2. Adjust VR3225 so that the Y level is 1000 mVp-p ± 20 mV.

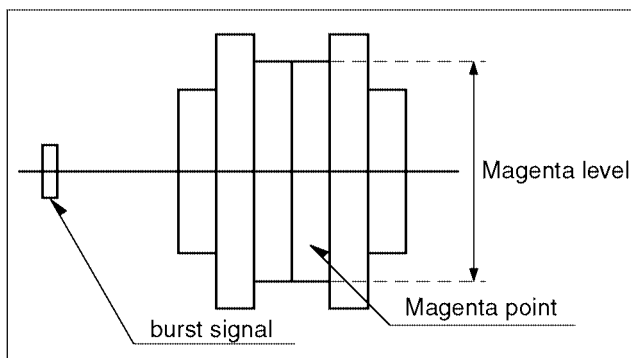


5.2. Video Output (Chrominance Signal) Adjustment

Measurement point	Mode	Disc
S-Video output terminal (C OUT)	PLAY	DVDT-S15 (Title 10), DVDT-S01 (Title 48) Color bar 100%
Measuring equipment, tools	Adjustment value	Adjustment point
Screwdriver, Oscilloscope 200mV/div10μsec/div	826 mVp-p±40 mV	VR3221

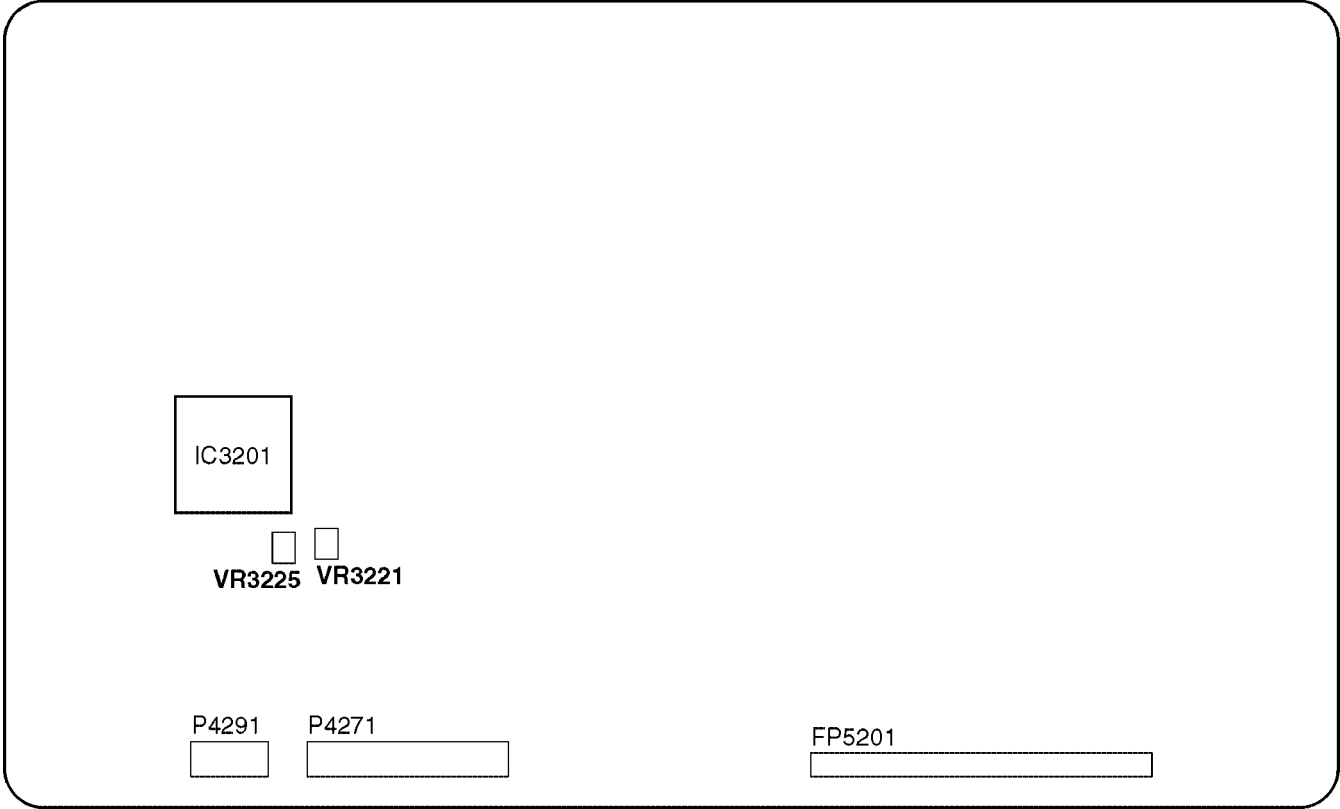
Purpose: To maintain video signal output compatibility.

1. Connect the oscilloscope to the S-video output and terminate at 75 ohms.
2. Adjust VR3221 so that the Magenta level is 826 mVp-p ± 40 mV.

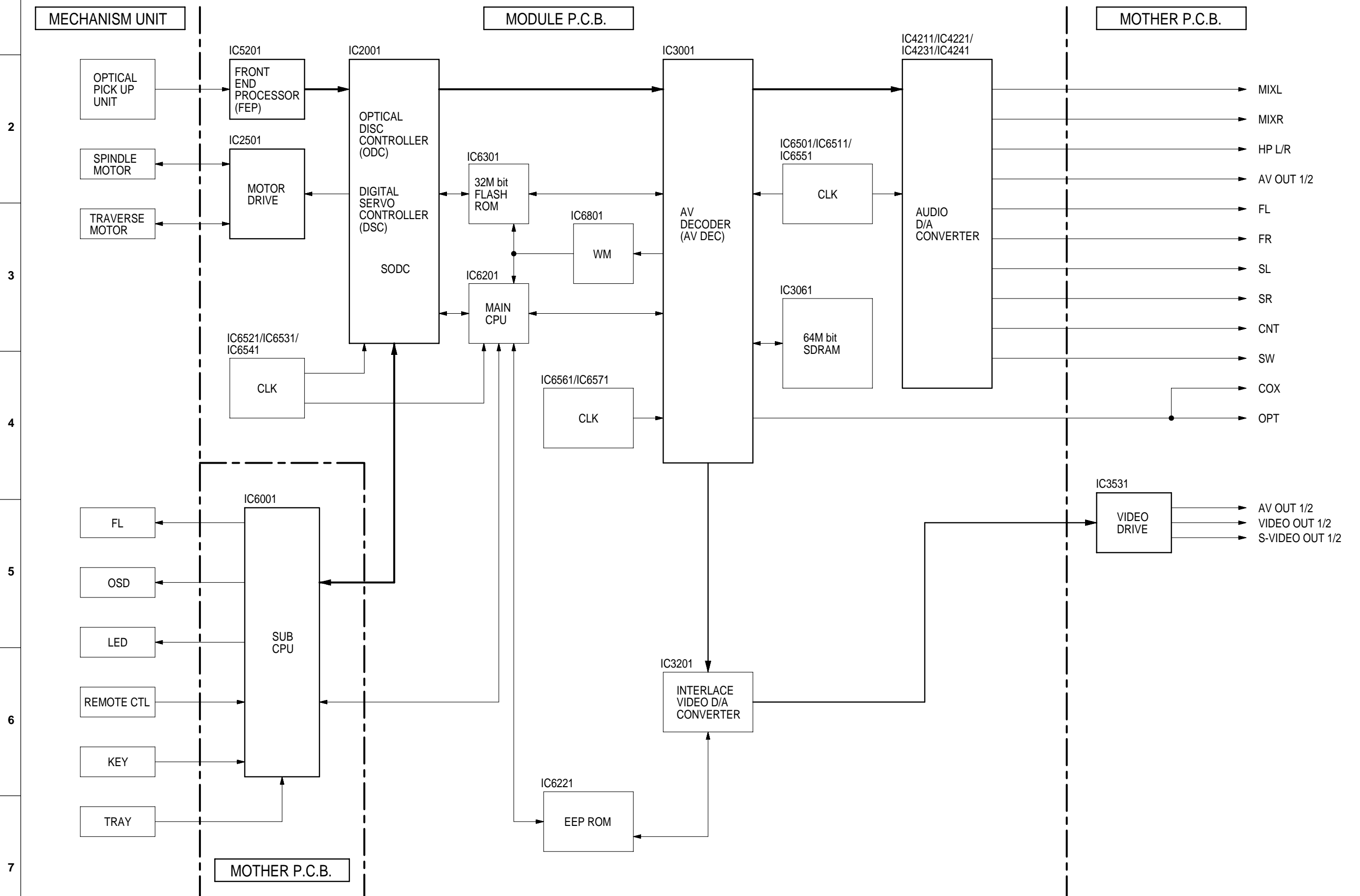


**5.3. Position of Adjustment Controls
MODULE P.C.B. (COMPONENT SIDE)**

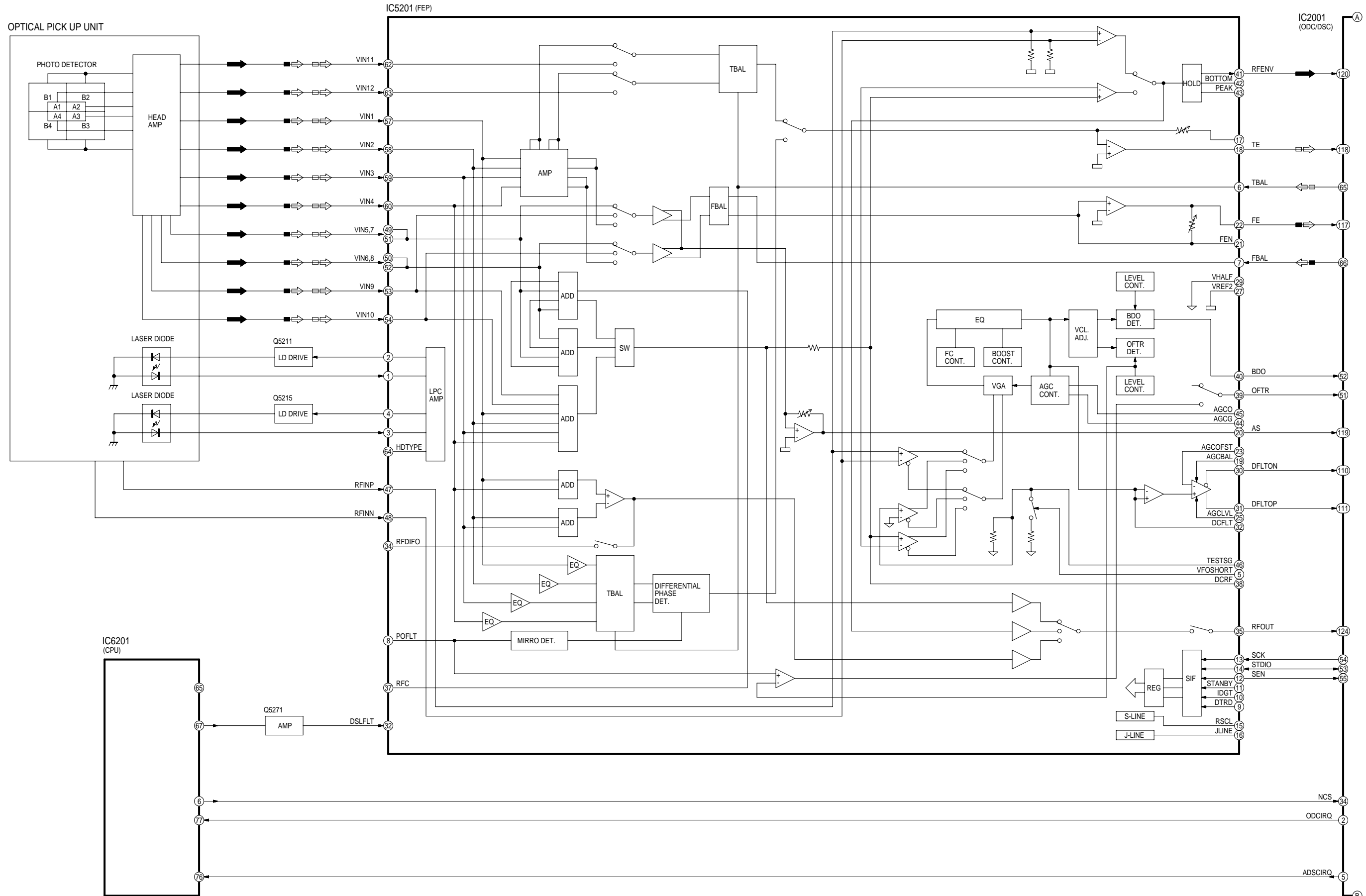
DVD-S1200



■ BLOCK DIAGRAM (1/7)

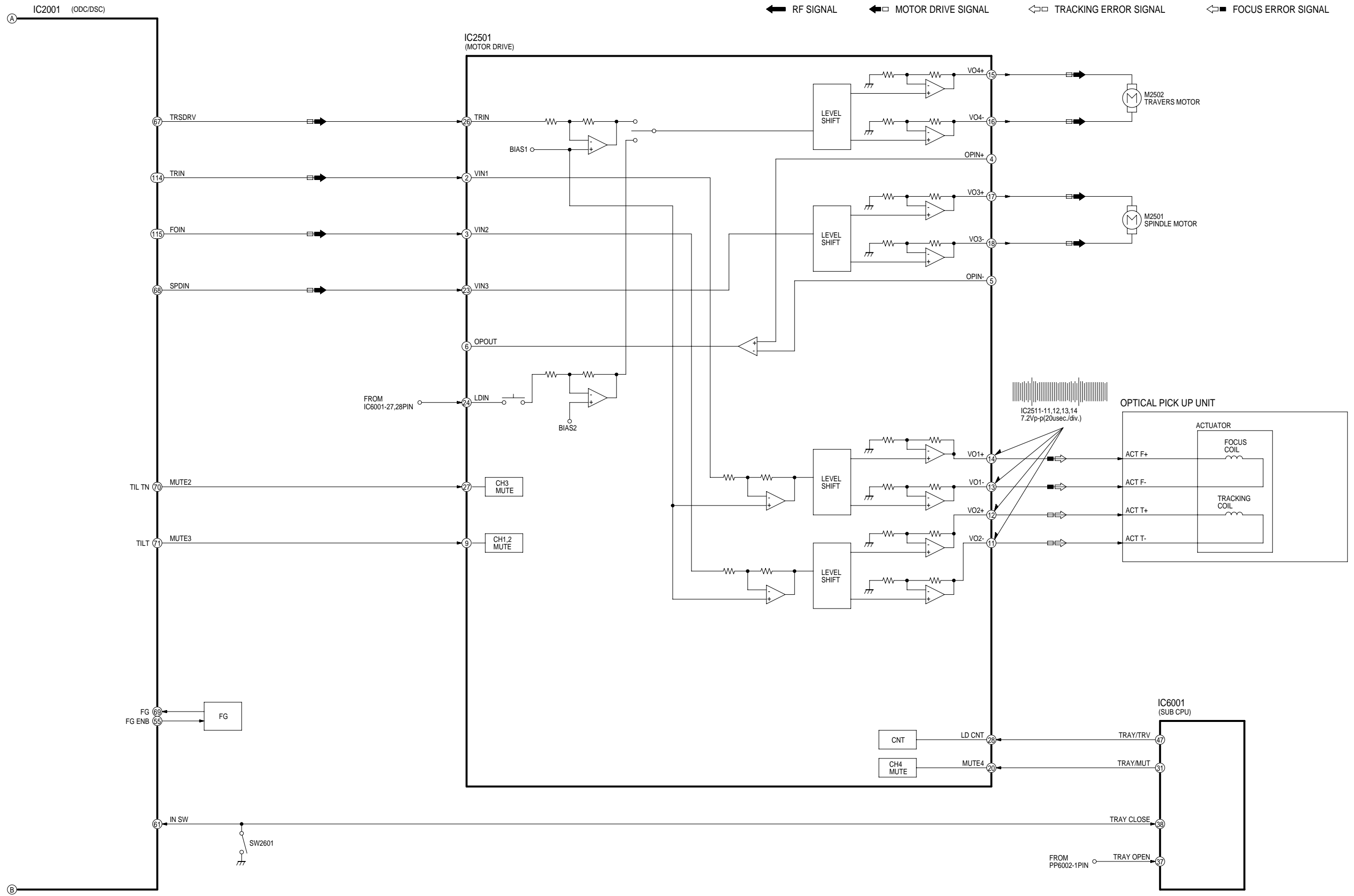


BLOCK DIAGRAM (2/7)

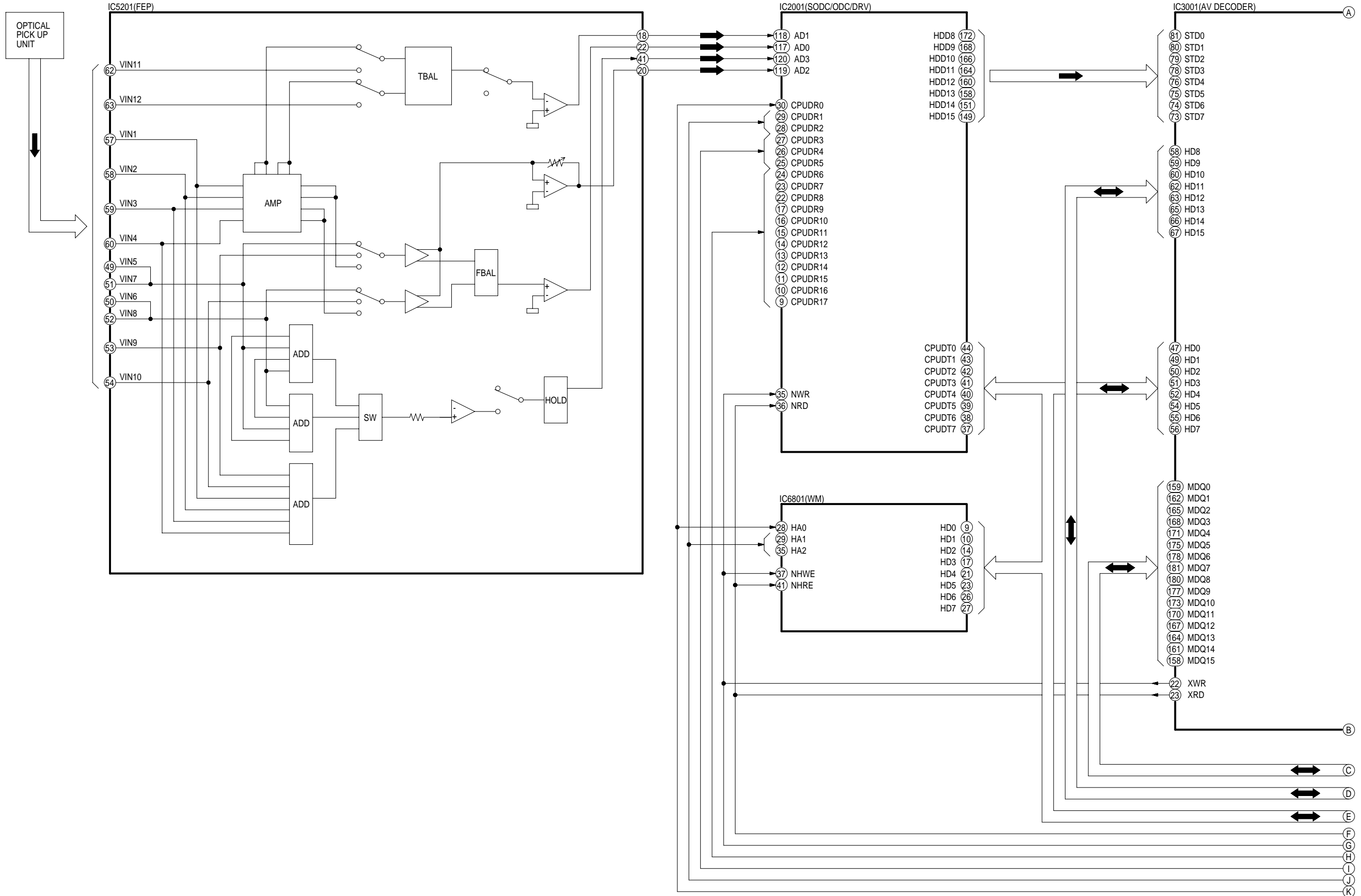


BLOCK DIAGRAM (3/7)

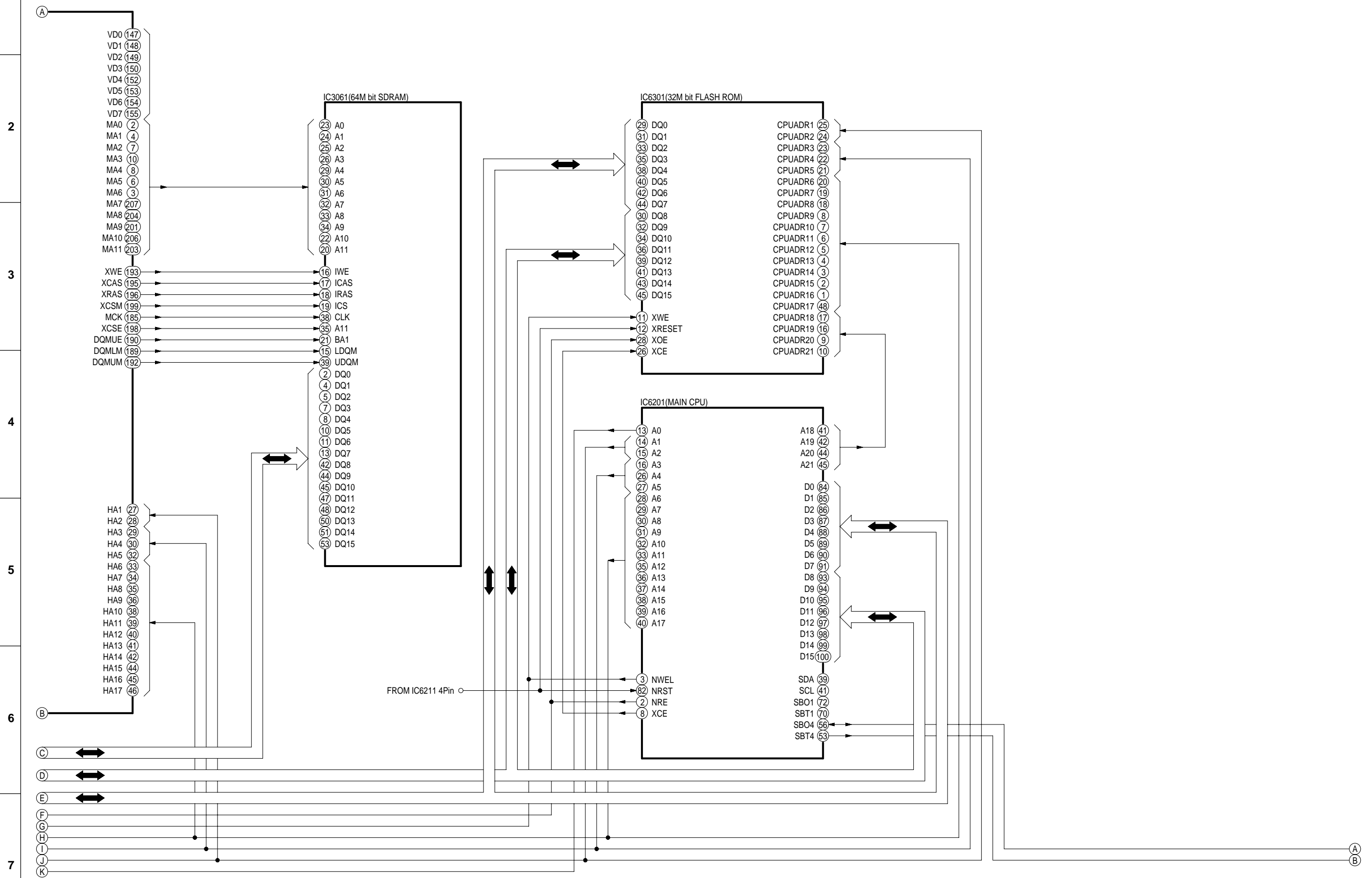
← RF SIGNAL ← □ MOTOR DRIVE SIGNAL ⇄ TRACKING ERROR SIGNAL ⇄ ■ FOCUS ERROR SIGNAL



■ BLOCK DIAGRAM (4/7)

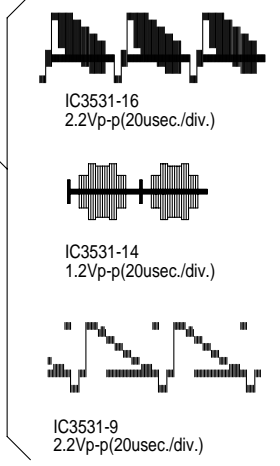
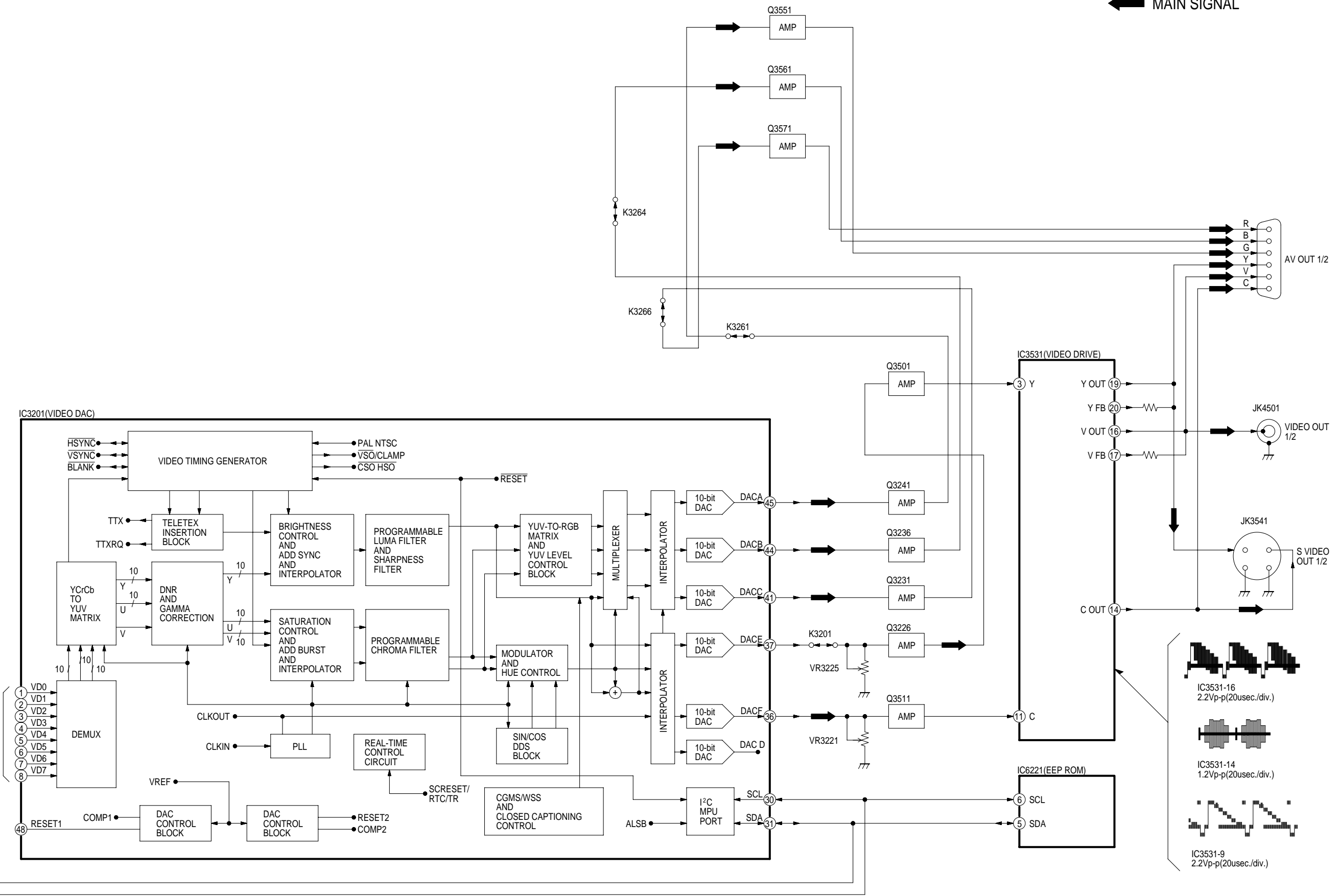


BLOCK DIAGRAM (5/7)



BLOCK DIAGRAM (6/7)

← MAIN SIGNAL



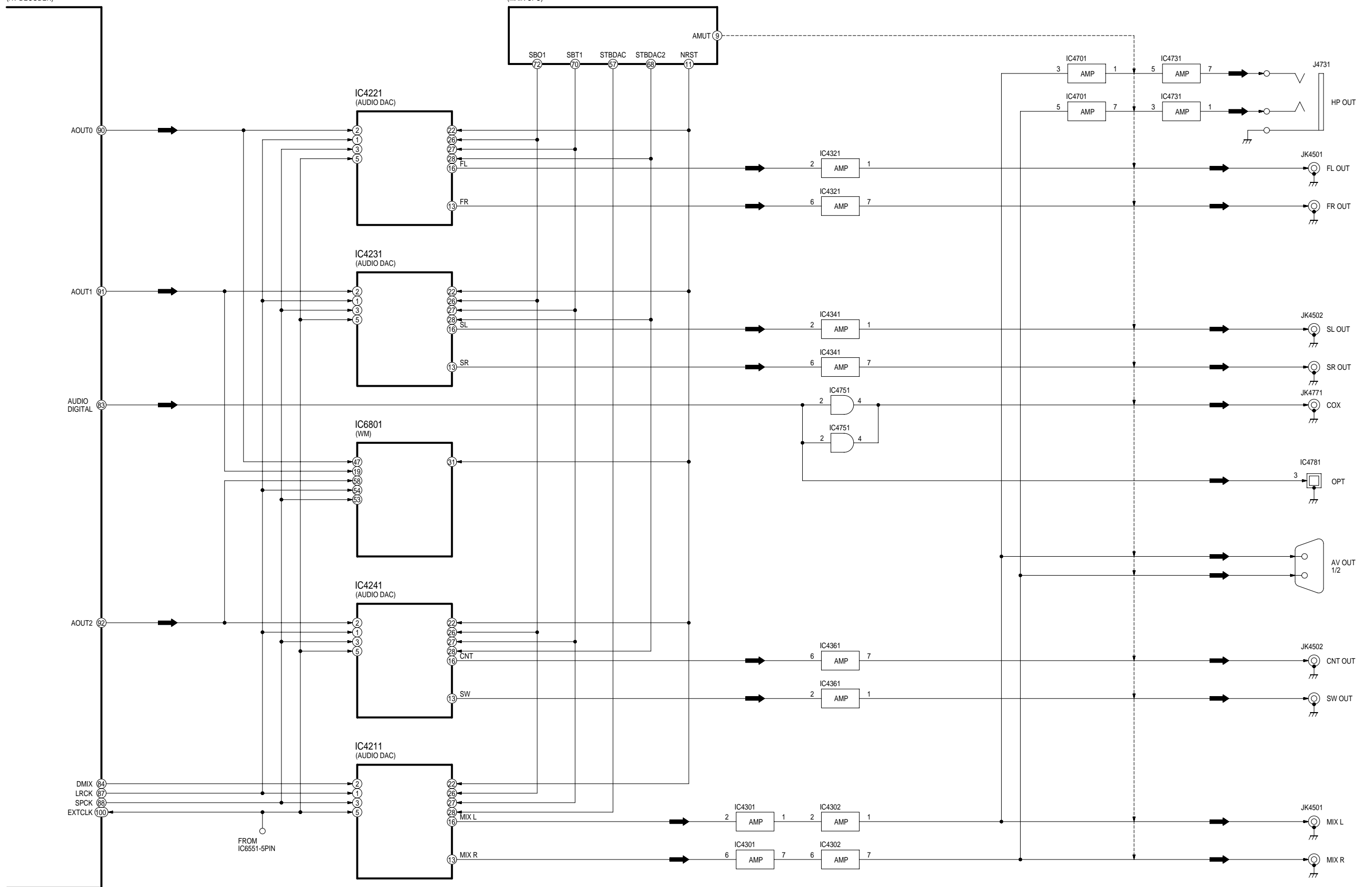
BLOCK DIAGRAM (7/7)

IC3001 (AV DECODER)

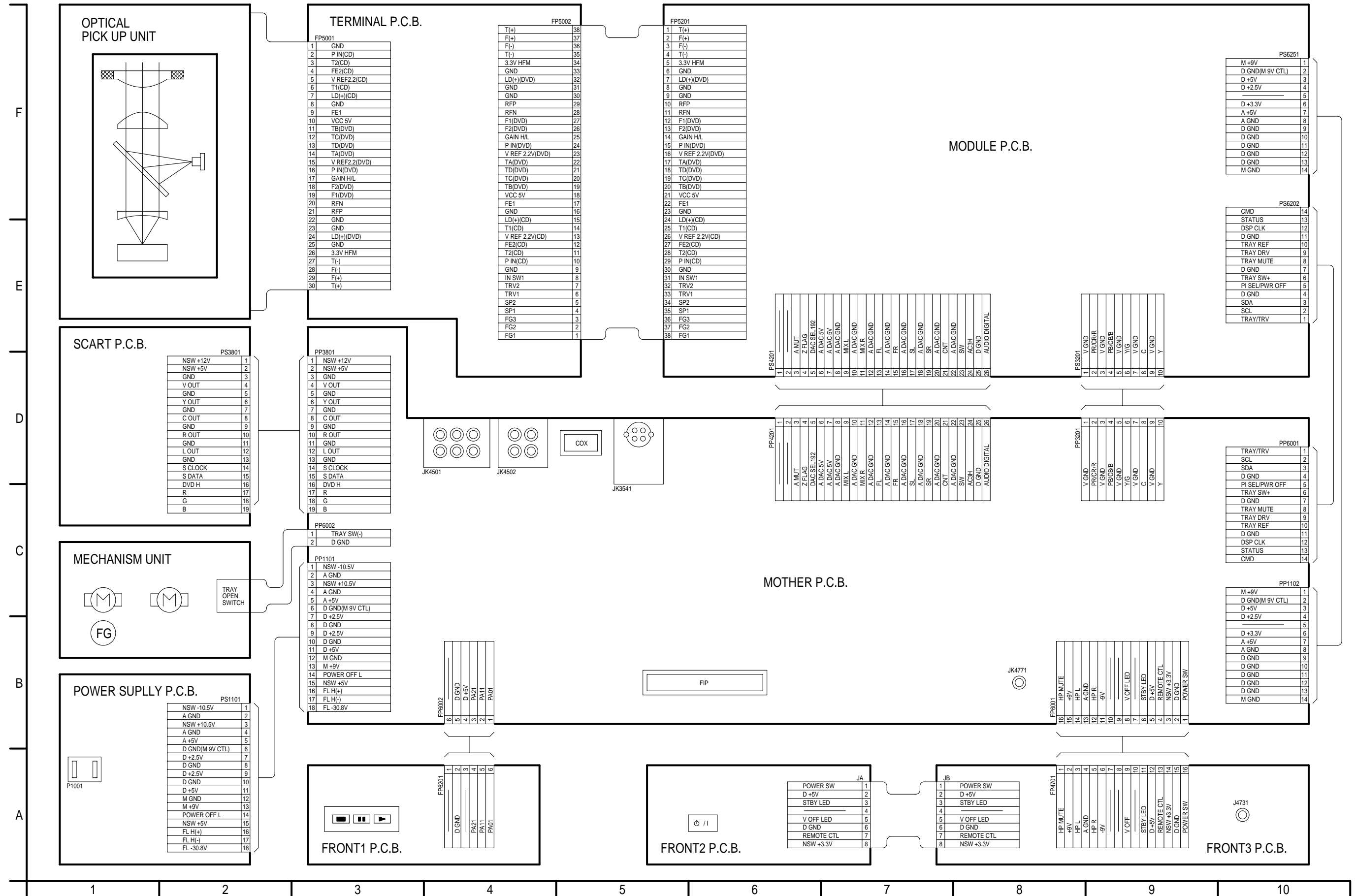
IC6201 (MAIN CPU)

← MAIN SIGNAL

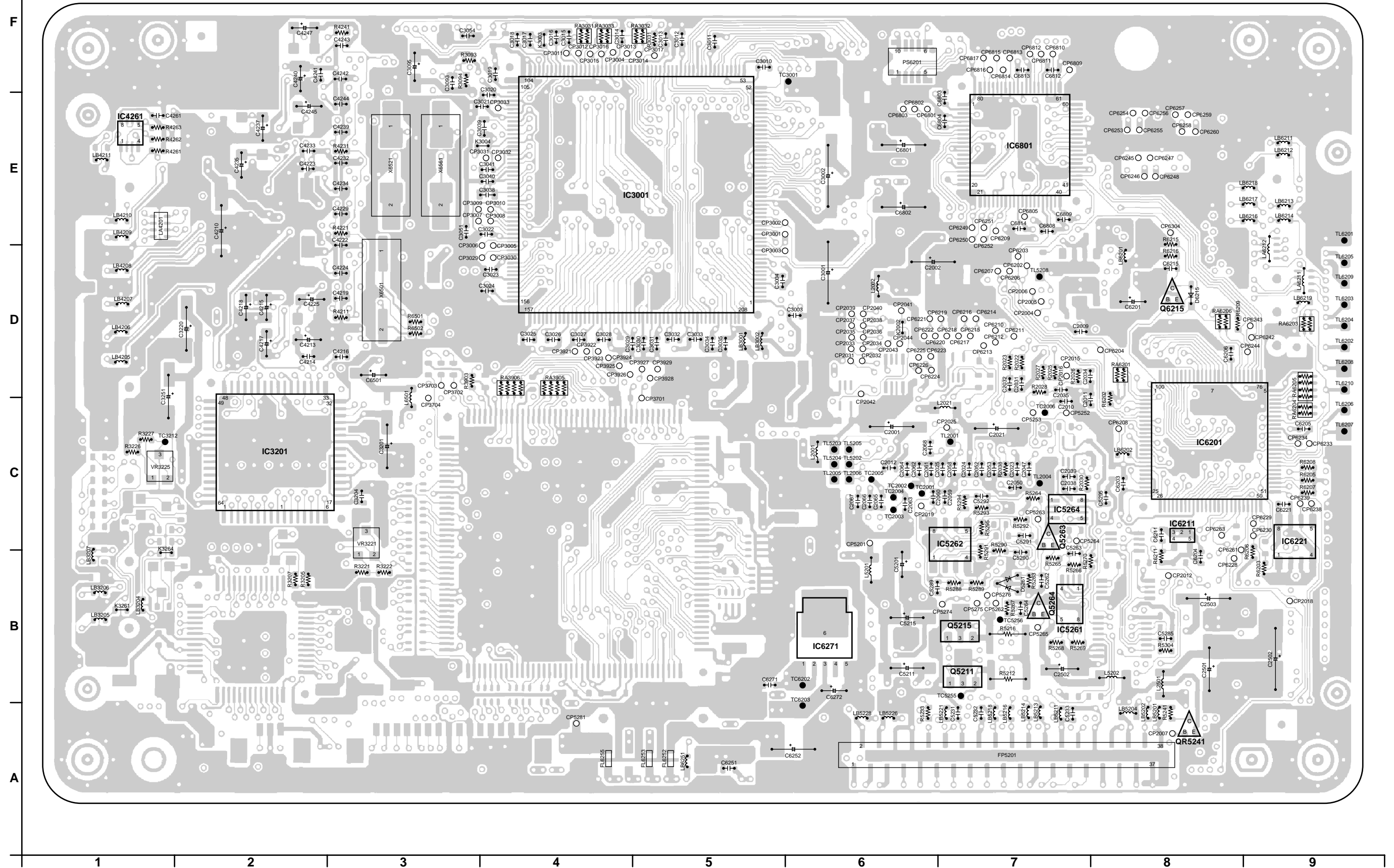
1
2
3
4
5
6
7



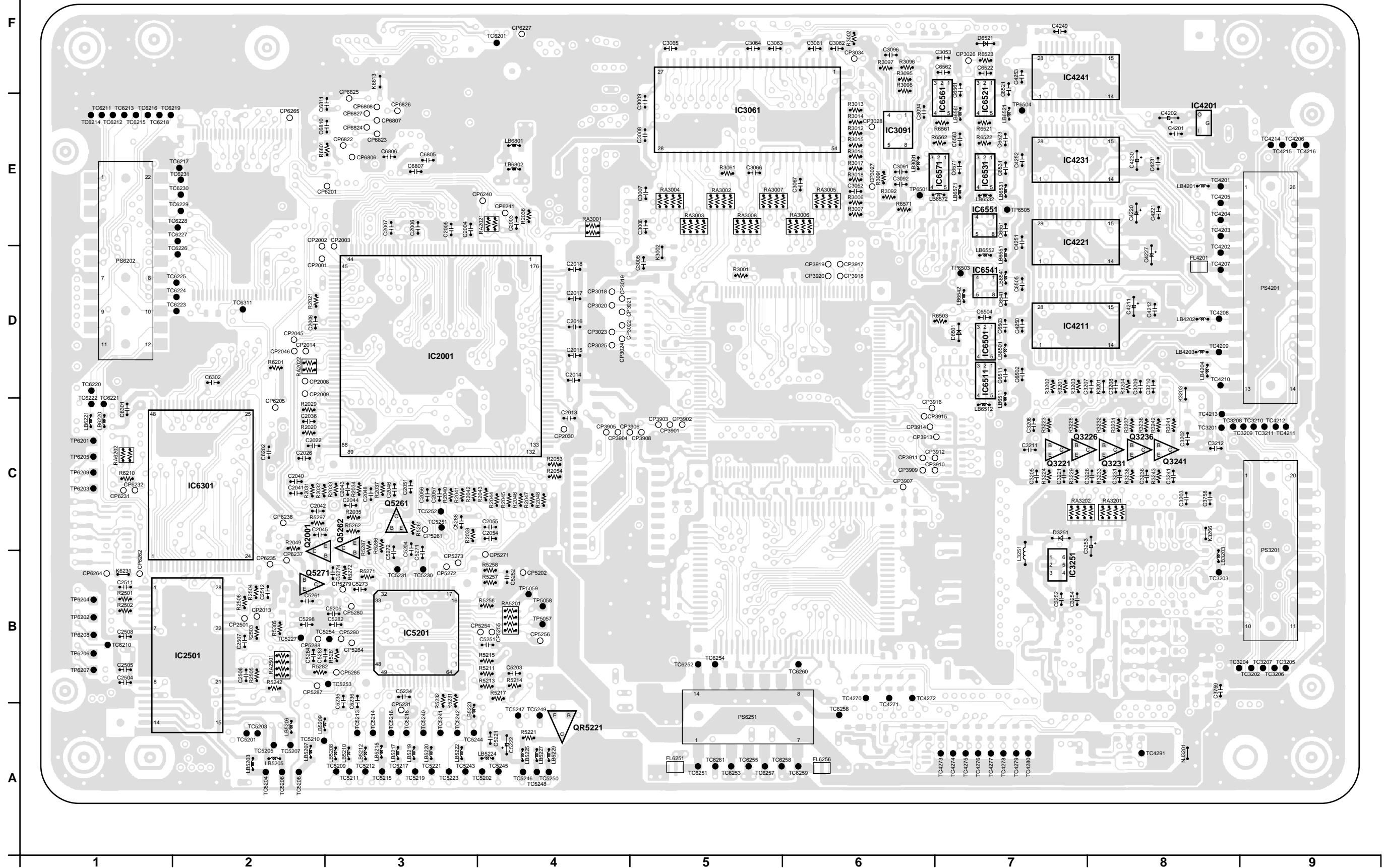
INTERCONNECTION DIAGRAM



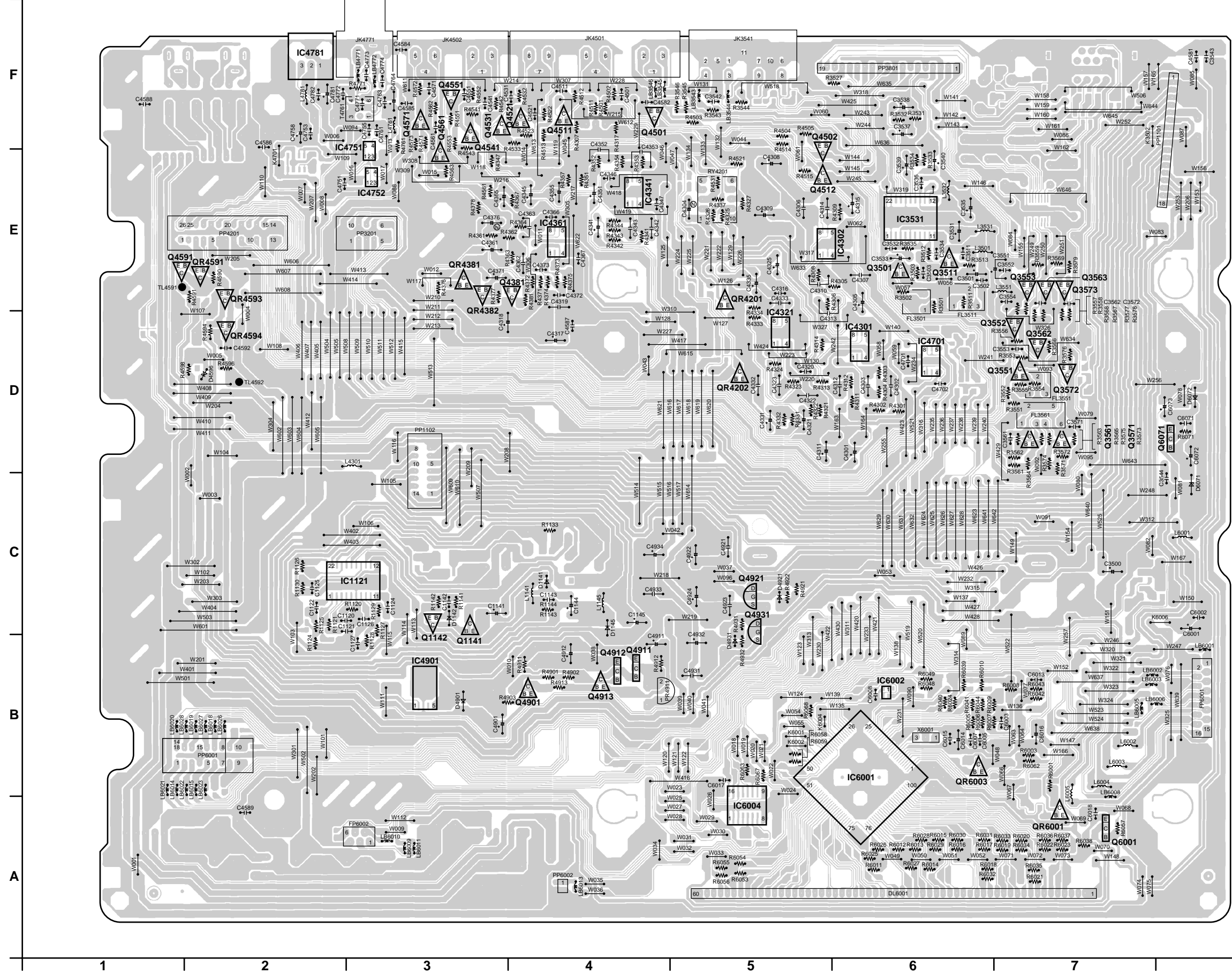
PRINTED CIRCUIT BOARD (MODULE P.C.B. 1/2)



PRINTED CIRCUIT BOARD (MODULE P.C.B. 2/2)



PRINTED CIRCUIT BOARD (MOTHER P.C.B.)



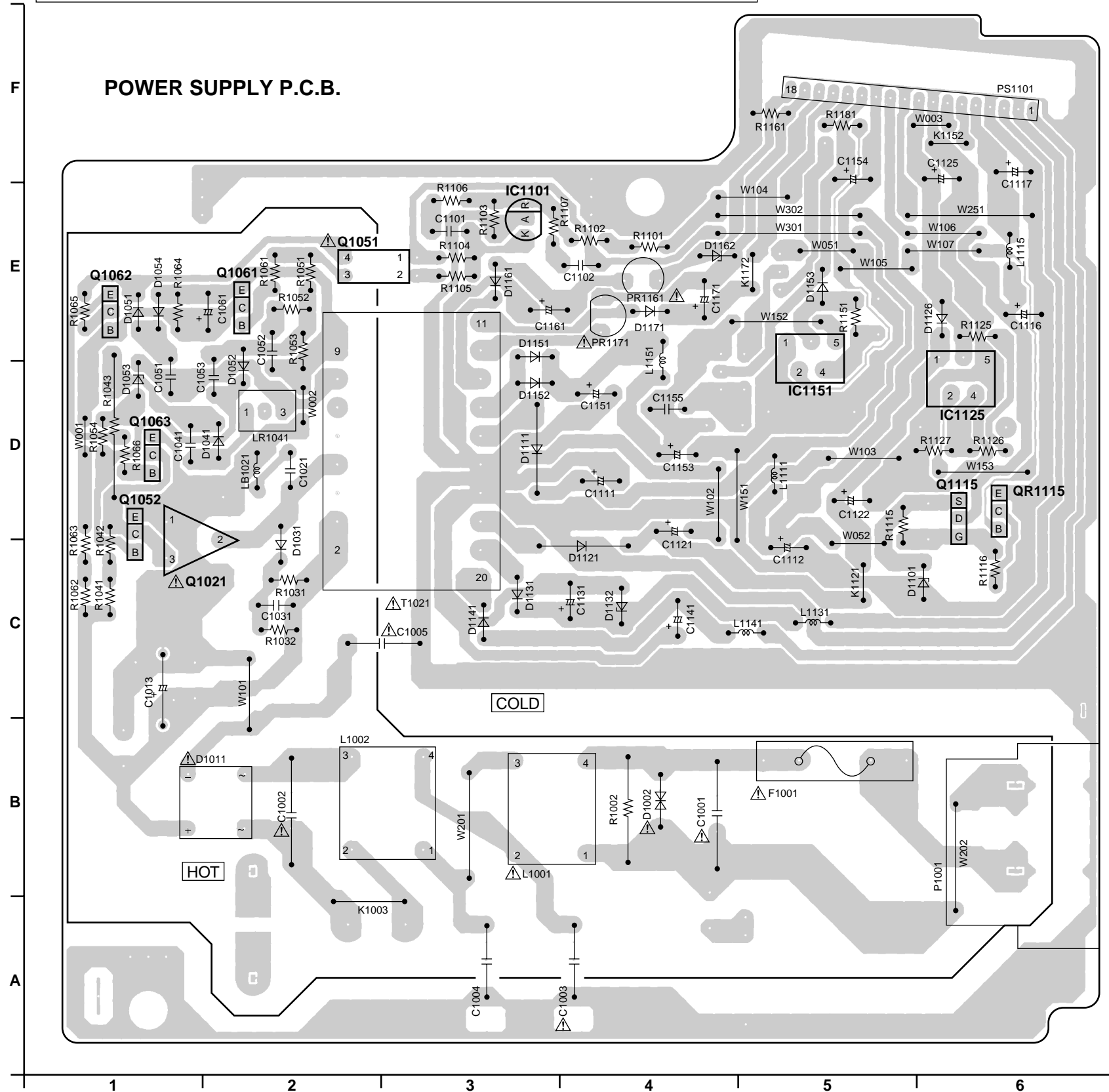
MODULE P.C.B.											
Transistor		Test Points		CP3906	C-5 F	CP6229	C-9 C	TC3212	C-1 C	TC6216	E-1 F
Q2001	B-3 F	CP2001	D-2 F	CP3907	C-6 F	CP6230	C-9 C	TC4201	E-8 F	TC6217	E-2 F
Q3221	C-7 F	CP2002	D-2 F	CP3908	C-5 F	CP6231	C-1 F	TC4202	D-8 F	TC6218	E-1 F
Q3226	C-7 F	CP2003	D-3 F	CP3909	C-6 F	CP6232	C-1 F	TC4203	E-8 F	TC6219	E-1 F
Q3231	C-8 F	CP2004	D-7 C	CP3910	C-7 F	CP6233	C-9 C	TC4204	E-8 F	TC6220	D-1 F
Q3236	C-8 F	CP2005	D-7 C	CP3911	C-6 F	CP6234	C-9 C	TC4205	E-8 F	TC6221	C-1 F
Q3241	C-8 F	CP2006	D-7 C	CP3912	C-7 F	CP6235	B-2 F	TC4206	E-9 F	TC6222	C-1 F
Q5211	C-3 F	CP2007	A-8 C	CP3913	C-7 F	CP6236	C-2 F	TC4207	D-8 F	TC6223	D-2 F
Q5215	C-3 F	CP2008	D-2 F	CP3914	C-6 F	CP6237	B-2 F	TC4208	D-8 F	TC6224	D-2 F
Q5261	C-3 F	CP2009	D-2 F	CP3915	C-6 F	CP6238	C-9 C	TC4209	D-8 F	TC6225	D-2 F
Q5262	C-3 F	CP2012	B-8 C	CP3916	C-6 F	CP6239	C-9 C	TC4210	D-8 F	TC6226	D-2 F
Q5263	B-7 C	CP2013	B-2 F	CP3917	D-6 F	CP6240	E-4 F	TC4211	C-9 F	TC6227	E-2 F
Q5264	B-7 C	CP2014	D-2 F	CP3918	D-6 F	CP6241	E-4 F	TC4212	C-9 F	TC6228	E-2 F
Q5271	B-2 F	CP2015	D-7 C	CP3919	D-6 F	CP6242	D-9 C	TC4213	C-8 F	TC6229	E-2 F
Q6215	D-8 C	CP2016	D-7 C	CP3920	D-6 F	CP6243	D-9 C	TC4214	E-9 F	TC6230	E-2 F
		CP2018	B-9 C	CP3921	D-4 C	CP6244	D-9 C	TC4215	E-9 F	TC6231	E-2 F
		CP2019	C-6 C	CP3922	D-4 C	CP6245	E-8 C	TC4216	E-9 F	TC6251	A-5 F
		CP2025	C-7 C	CP3923	D-4 C	CP6246	E-8 C	TC4270	A-6 F	TC6252	B-5 F
		CP2030	C-4 F	CP3924	D-4 C	CP6247	E-8 C	TC4271	A-6 F	TC6253	A-5 F
		CP2031	D-6 C	CP3925	D-4 C	CP6248	E-8 C	TC4272	A-6 F	TC6254	B-5 F
		CP2032	D-6 C	CP3926	D-4 C	CP6249	E-7 C	TC4273	A-7 F	TC6255	A-5 F
		CP2033	D-6 C	CP3927	D-5 C	CP6250	E-7 C	TC4274	A-7 F	TC6256	A-6 F
		CP2034	D-6 C	CP3928	D-5 C	CP6251	E-7 C	TC4275	A-7 F	TC6257	A-5 F
		CP2035	D-6 C	CP3929	D-5 C	CP6252	E-7 C	TC4276	A-7 F	TC6258	A-6 F
		CP2036	D-6 C	CP5201	C-6 C	CP6253	E-8 C	TC4277	A-7 F	TC6259	A-6 F
		CP2037	D-6 C	CP5202	B-4 F	CP6254	E-8 C	TC4278	A-7 F	TC6260	B-6 F
		CP2038	D-6 C	CP5231	A-3 F	CP6255	E-8 C	TC4279	A-7 F	TC6261	A-5 F
		CP2039	D-6 C	CP5252	C-7 C	CP6256	E-8 C	TC4280	A-7 F	TC6311	D-2 F
		CP2040	D-6 C	CP5253	C-7 C	CP6257	E-8 C	TC4291	A-8 F	TL2001	C-7 C
		CP2041	D-6 C	CP5254	B-4 F	CP6258	E-8 C	TC5201	A-2 F	TL2004	C-7 C
		CP2042	D-6 C	CP5255	B-4 F	CP6259	E-8 C	TC5202	A-4 F	TL2005	C-6 C
		CP2043	D-6 C	CP5256	B-4 F	CP6260	E-8 C	TC5203	A-2 F	TL2006	C-6 C
		CP2044	D-6 C	CP5261	C-3 F	CP6261	C-8 C	TC5204	A-2 F	TL5202	C-6 C
		CP2045	D-2 F	CP5262	B-7 C	CP6262	B-1 F	TC5205	A-2 F	TL5203	C-6 C
		CP2046	D-2 F	CP5263	C-7 C	CP6263	C-8 C	TC5206	A-2 F	TL5204	C-6 C
		CP2501	B-2 F	CP5264	C-7 C	CP6264	B-1 F	TC5207	A-2 F	TL5205	C-6 C
		CP3001	E-6 C	CP5265	B-7 C	CP6265	E-2 F	TC5208	A-2 F	TL5208	D-7 C
		CP3002	E-6 C	CP5271	B-4 F	CP6304	E-8 C	TC5209	A-3 F	TL6201	E-9 C
		CP3003	D-6 C	CP5272	B-3 F	CP6801	E-6 C	TC5210	A-2 F	TL6202	D-9 C
		CP3004	F-4 C	CP5273	B-3 F	CP6802	E-6 C	TC5211	A-3 F	TL6203	D-9 C
		CP3005	D-4 C	CP5274	B-7 C	CP6803	E-6 C	TC5212	A-3 F	TL6204	D-9 C
		CP3006	D-4 C	CP5275	B-7 C	CP6804	E-3 F	TC5213	A-3 F	TL6205	D-9 C
		CP3007	E-4 C	CP5276	B-7 C	CP6805	E-7 C	TC5214	A-3 F	TL6206	C-9 C
		CP3008	E-4 C	CP5279	B-3 F	CP6806	E-3 F	TC5215	A-3 F	TL6207	C-9 C
		CP3009	E-4 C	CP5280	B-3 F	CP6807	E-3 F	TC5216	A-3 F	TL6208	D-9 C
		CP3010	E-4 C	CP5281	A-4 C	CP6808	E-3 F	TC5217	A-3 F	TL6209	D-9 C
		CP3011	F-4 C	CP5284	B-3 F	CP6809	F-7 C	TC5218	A-3 F	TL6210	D-9 C
		CP3012	F-4 C	CP5285	B-3 F	CP6810	F-7 C	TC5219	A-3 F	TP5057	B-4 F
		CP3013	F-4 C	CP5287	B-2 F	CP6811	F-7 C	TC5221	A-3 F	TP5058	B-4 F
		CP3014	F-5 C	CP5288	B-2 F	CP6812	F-7 C	TC5223	A-3 F	TP5059	B-4 F
		CP3015	F-4 C	CP5290	B-3 F	CP6813	F-7 C	TC5227	B-2 F	TP6201	C-1 F
		CP3016	F-4 C	CP6201	E-3 F	CP6814	F-7 C	TC5230	B-3 F	TP6202	B-1 F
		CP3017	F-5 C	CP6202	D-7 C	CP6815	F-7 C	TC5231	B-3 F	TP6203	C-1 F
		CP3018	D-4 F	CP6203	D-7 C	CP6816	F-7 C	TC5240	A-3 F	TP6204	B-1 F
		CP3019	D-4 F	CP6204	D-8 C	CP6817	F-7 C	TC5241	A-3 F	TP6205	C-1 F
		CP3020	D-4 F	CP6205	C-2 F	CP6822	E-3 F	TC5242	A-3 F	TP6206	B-1 F
		CP3021	D-4 F	CP6206	D-7 C	CP6823	E-3 F	TC5243	A-3 F	TP6207	B-1 F
		CP3022	D-4 F	CP6207	D-7 C	CP6824	E-3 F	TC5244	A-3 F	TP6208	B-1 F
		CP3023	D-4 F	CP6208	C-8 C	CP6825	E-3 F	TC5245	A-4 F	TP6209	C-1 F
		CP3024	D-4 F	CP6209	E-7 C	CP6826	E-3 F	TC5246	A-4 F	TP6501	E-6 F
		CP3025	D-4 F	CP6210	D-7 C	CP6827	E-3 F	TC5247	A-4 F	TP6503	D-7 F
		CP3026	F-7 F	CP6211	D-7 C	TC2001	C-6 C	TC5248	A-4 F	TP6504	E-7 F
		CP3027	E-6 F	CP6212	D-7 C	TC2002	C-6 C	TC5249	A-4 F	TP6505	E-7 F
		CP3028	E-6 F	CP6213	D-7 C	TC2003	C-6 C	TC5250	A-4 F		
		CP3029	D-3 C	CP6214	D-7 C	TC2004	C-6 C	TC5251	C-3 F		
		CP3030	D-4 C	CP6215	D-7 C	TC2005	C-6 C	TC5252	C-3 F		
		CP3031	E-4 C	CP6216	D-7 C	TC2006	C-7 C	TC5253	B-3 F	FP5201	A-6 C
		CP3032	E-4 C	CP6217	D-7 C	TC3001	F-6 C	TC5254	B-3 F	PS3201	B-9 F
		CP3033	E-4 C	CP6218	D-7 C	TC3201	C-8 F	TC5255	B-7 C	PS4201	D-9 F
		CP3034	F-6 F	CP6219	D-7 C	TC3202	B-9 F	TC5256	B-7 C	PS6201	F-6 C
		CP3701	C-5 C	CP6220	D-7 C	TC3203	B-8 F	TC6201	F-4 F	PS6202	D-1 F
		CP3702	D-3 C	CP6221	D-6 C	TC3204	B-9 F	TC6202	B-6 C	PS6251	A-5 F
		CP3703	D-3 C	CP6222	D-6 C	TC3205	B-9 F	TC6203	B-6 C	VR3221	C-3 C
		CP3704	D-3 C	CP6223	D-6 C	TC3206	B-9 F	TC6210	B-1 F	VR3225	C-1 C
		CP3901	C-5 F	CP6224	D-6 C	TC3207	B-9 F	TC6211	E-1 F		
		CP3902	C-5 F	CP6225	D-6 C	TC3208	C-8 F	TC6212	E-1 F		
		CP3903	C-5 F	CP6226	D-6 C	TC3209	C-9 F	TC6213	E-1 F		
		CP3904	C-4 F	CP6227	F-4 F	TC3210	C-9 F	TC6214	E-1 F		
		CP3905	C-4 F	CP6228	B-8 C	TC3211	C-9 F	TC6215	E-1 F		

MOTHER P.C.B.					
Transistor		Q6071	D-8	Connectors	
Q1141	C-3			DL6001	A-5
Q1142	C-3			FP6001	B-8
Q3501	E-6			FP6002	A-3
Q3511	E-6	QR4201	E-5	JK3541	F-5
Q3551	E-7	QR4381	E-3	JK4501	F-4
Q3552	D-7	QR4382	E-3	JK4502	F-3
Q3553	E-7	QR4591	E-2	PP1101	E-8
Q3561	D-7	QR4593	E-2	PP1102	C-3
Q3562	D-7	QR4594	D-2	PP3201	E-3
Q3563	E-7	QR6001	A-7	PP3801	F-6
Q3571	D-7	QR6003	B-6	PP4201	E-2
Q3572	D-7			PP6001	B-1
Q3573	E-7			PP6002	A-4
Q4381	E-4				
Q4501	F-4	IC1121	C-3		
Q4502	E-5	IC3531	E-6		
Q4511	F-4	IC4301	D-6		
Q4512	E-5	IC4302	E-5		
Q4521	F-4	IC4321	D-5		
Q4531	F-3	IC4341	E-4		
Q4541	F-3	IC4361	E-4		
Q4544	F-3	IC4701	D-6		
Q4551	F-3	IC4751	E-3		
Q4561	E-3	IC4752	E-3		
Q4571	F-3	IC4781	F-2		
Q4591	E-1	IC4901	B-3		
Q4901	B-4	IC6001	B-6		
Q4911	B-4	IC6002	B-6		
Q4912	B-4	IC6004	A-5		
Q4913	B-4				
Q4921	C-5				
Q4931	C-5				
Q6001	A-7				

ADDRESS INFORMATION

PRINTED CIRCUIT BOARD (POWER SUPPLY P.C.B.)

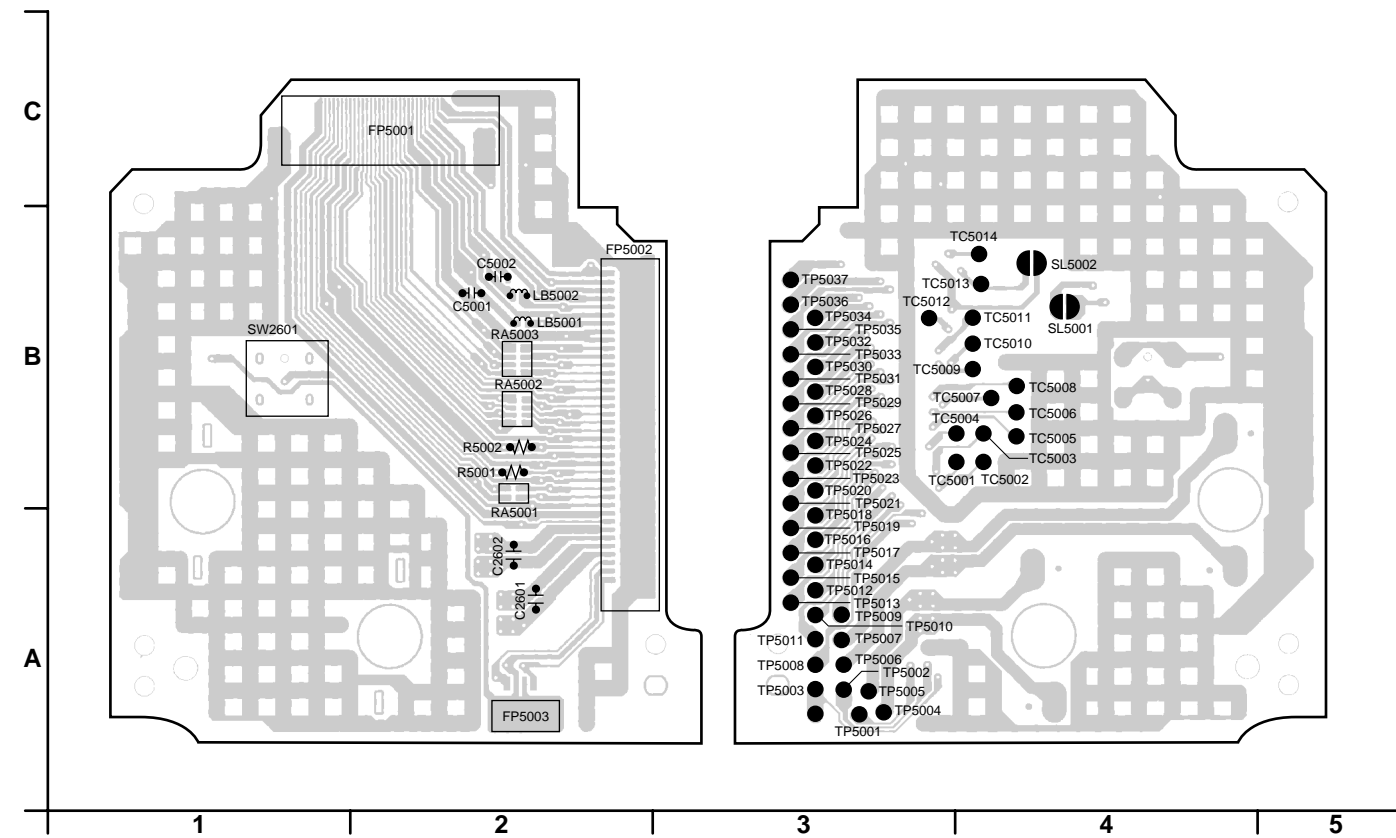
CAUTION THE STRIPED FRAME INDICATES THE PRIMARY CIRCUIT TO DISTINGUISH THE PRIMARY FROM THE SECONDARY CIRCUIT. PAY ATTENTION NOT TO RECEIVE AN ELECTRIC SHOCK DURING REPAIR AND SERVICE OF THE PRODUCTS.



POWER SUPPLY P.C.B.			
Transistors		Integrated Circuits	
Q1021	C-1	IC1101	E-3
Q1051	E-2	IC1125	D-6
Q1052	D-1	IC1151	E-5
Connectors			
Q1061	E-2	P1001	B-6
Q1062	E-1	PS1101	F-5
Q1063	D-1		
Q1115	D-6		
Transistor-resistors			
QR1115	D-6		

ADDRESS INFORMATION

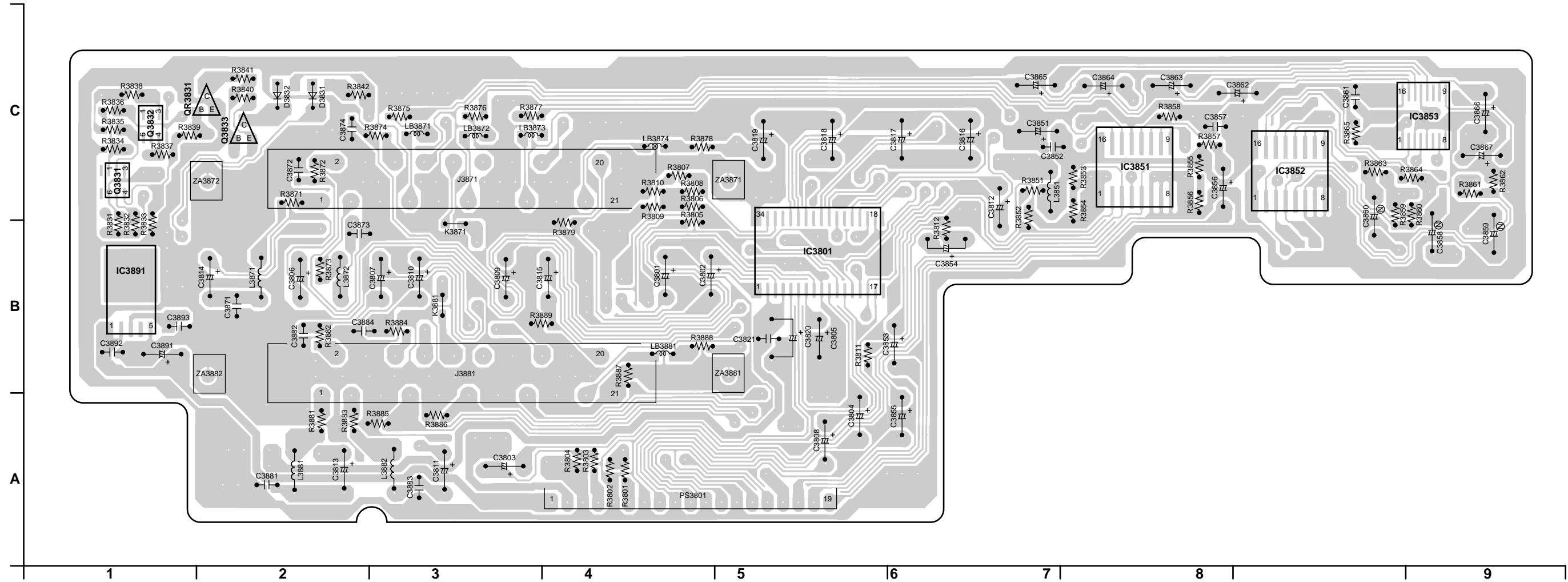
■ PRINTED CIRCUIT BOARD (TERMINAL P.C.B.)



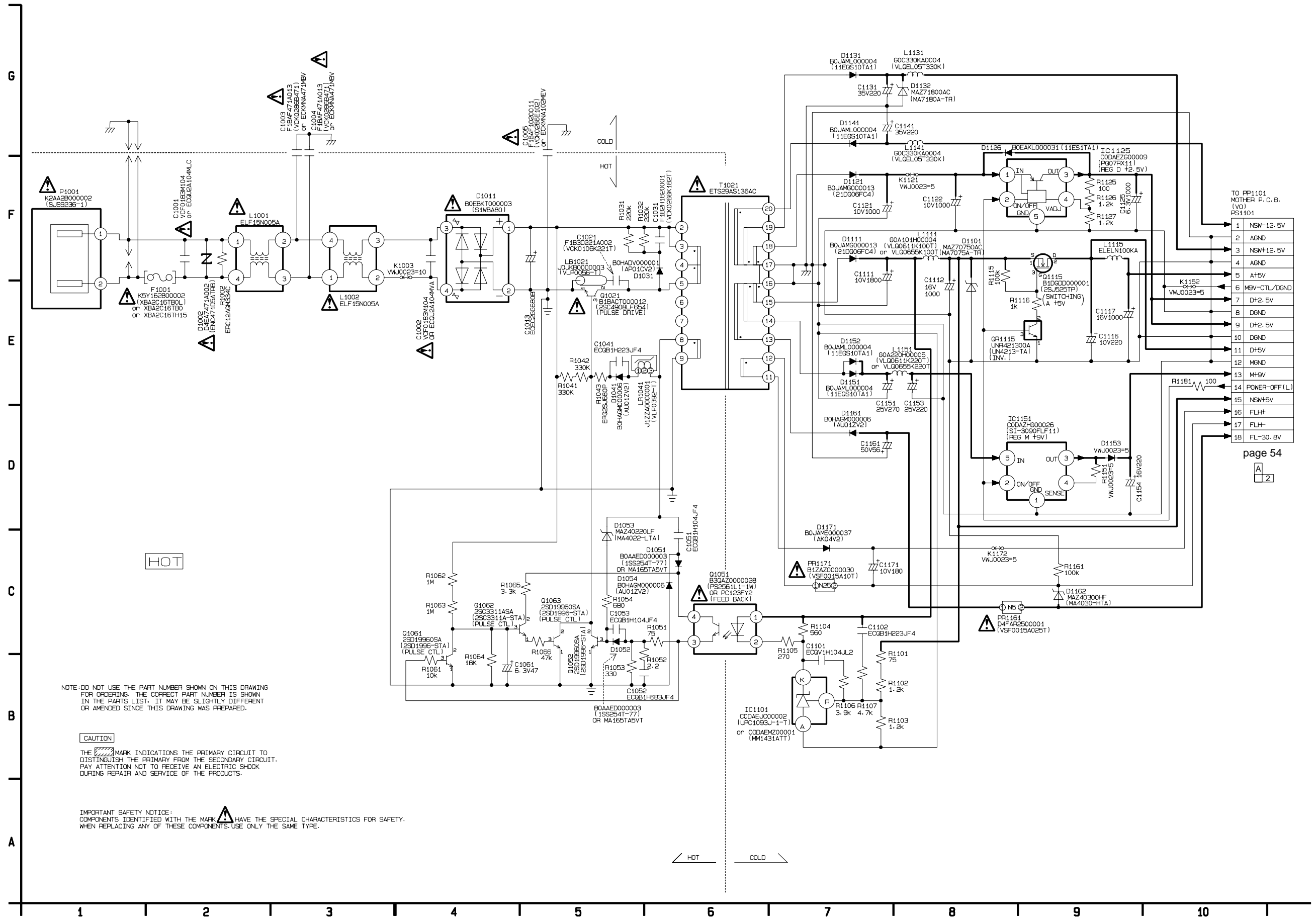
PRINTED CIRCUIT BOARD (SCART P.C.B.)

SCART P.C.B.					
Transistors		Integrated circuits		Connectors	
Q3831	C-1	IC3801	B-5	PS3801	A-4
Q3832	C-1	IC3851	C-7	ZA3871	C-5
Q3833	C-2	IC3852	C-8	ZA3872	C-1
Transistor - resistors		IC3853	C-9	ZA3881	B-5
QR3831	C-1	IC3891	B-1	ZA3882	B-1

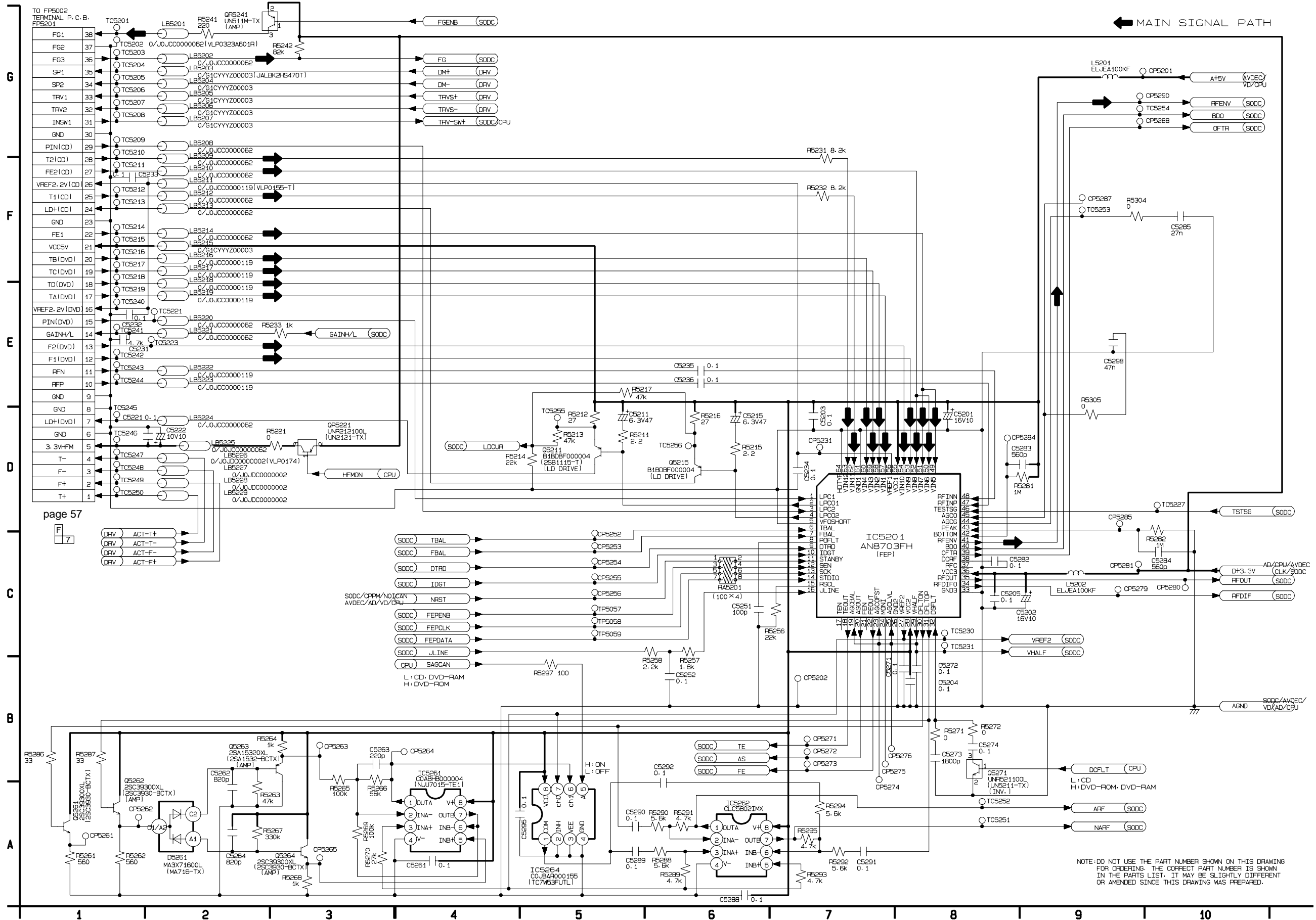
ADDRESS INFORMATION



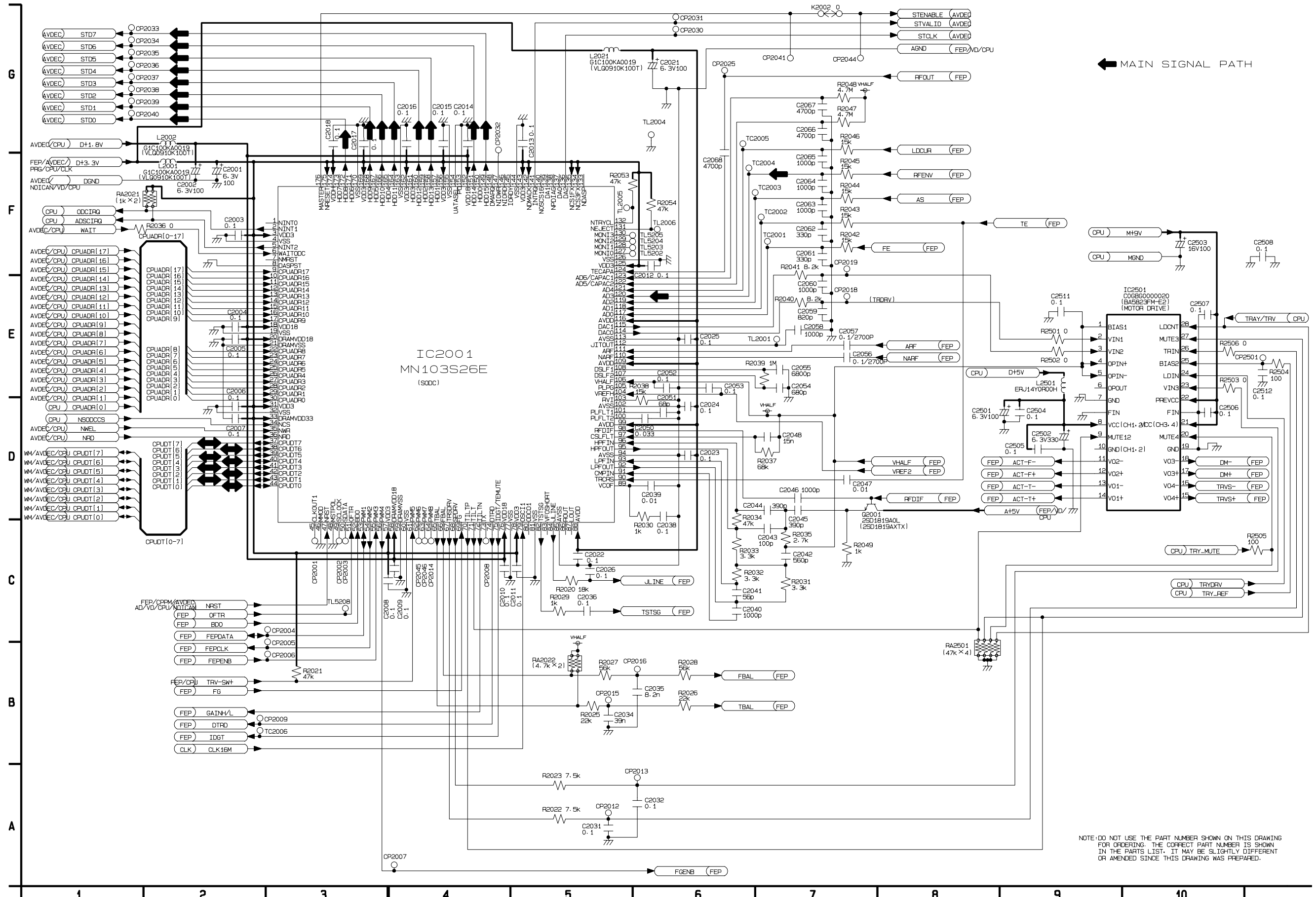
SCHEMATIC DIAGRAM (POWER SUPPLY P.C.B.)



SCHEMATIC DIAGRAM (MODULE P.C.B. 1/9)



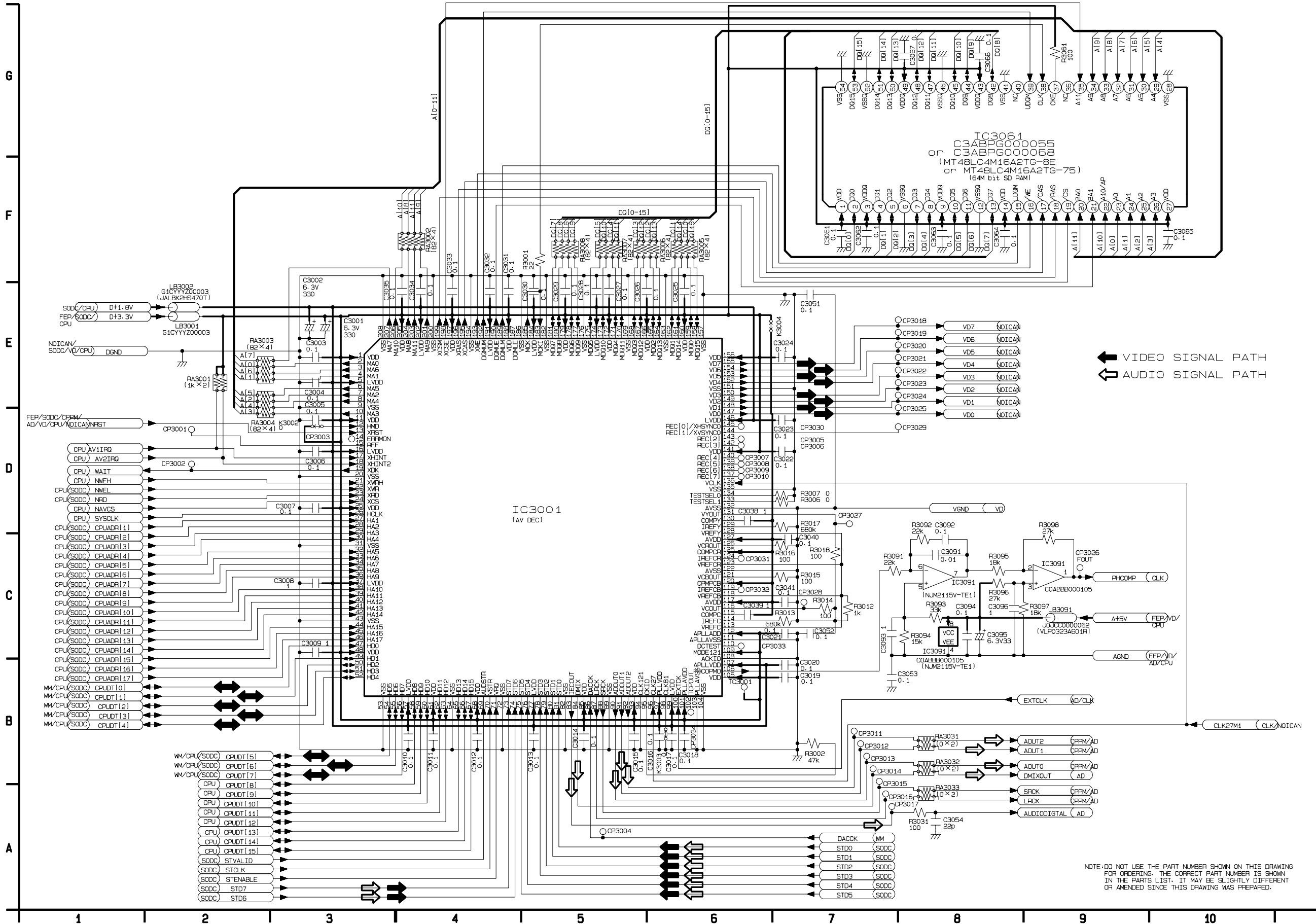
SCHEMATIC DIAGRAM (MODULE P.C.B. 2/9)



← MAIN SIGNAL PATH

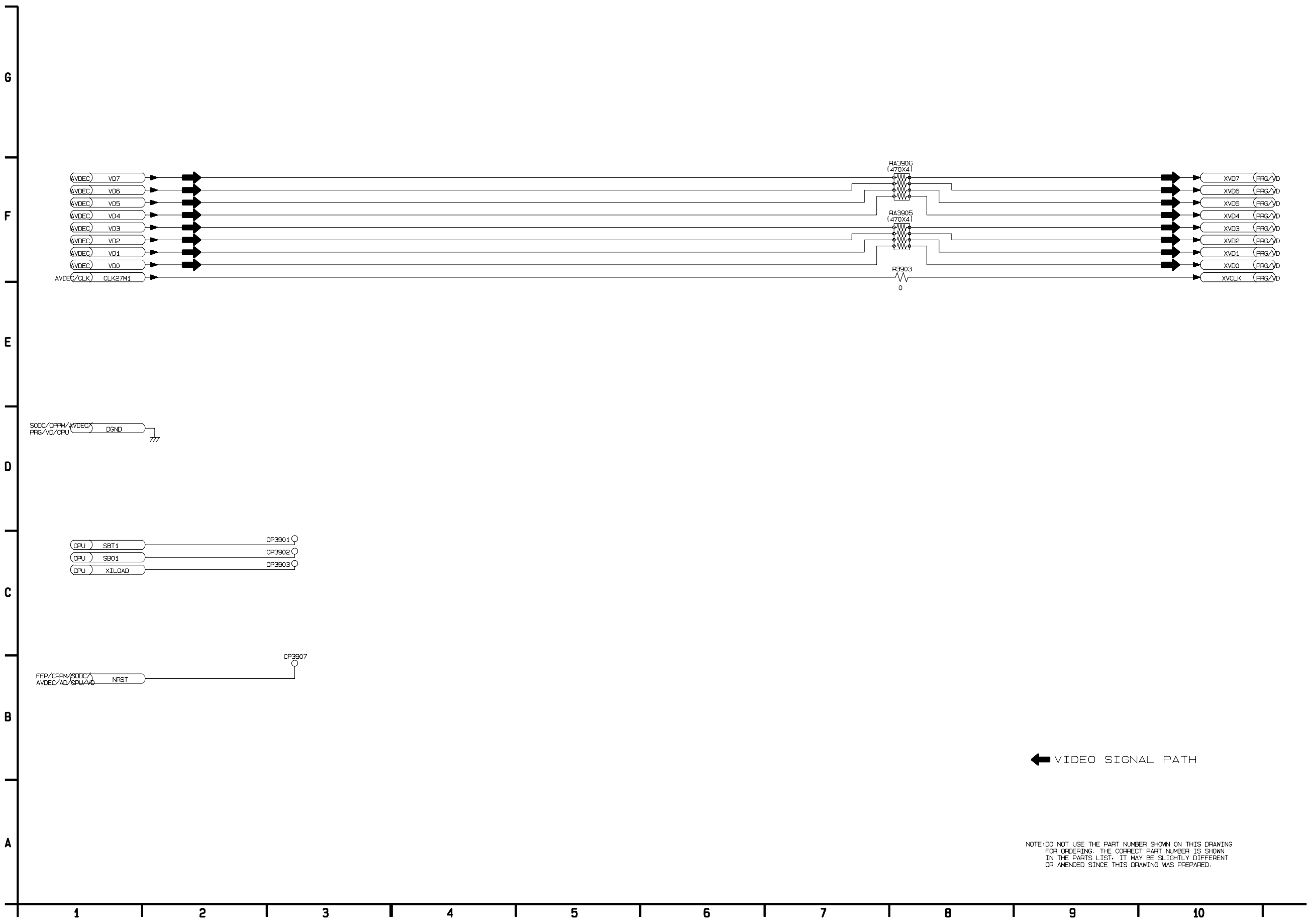
NOTE: DO NOT USE THE PART NUMBER SHOWN ON THIS DRAWING FOR ORDERING. THE CORRECT PART NUMBER IS SHOWN IN THE PARTS LIST. IT MAY BE SLIGHTLY DIFFERENT OR AMENDED SINCE THIS DRAWING WAS PREPARED.

SCHEMATIC DIAGRAM (MODULE P.C.B. 3/9)



NOTE: DO NOT USE THE PART NUMBER SHOWN ON THIS DRAWING FOR ORDERING. THE CORRECT PART NUMBER IS SHOWN IN THE PARTS LIST. IT MAY BE SLIGHTLY DIFFERENT OR AMENDED SINCE THIS DRAWING WAS PREPARED.

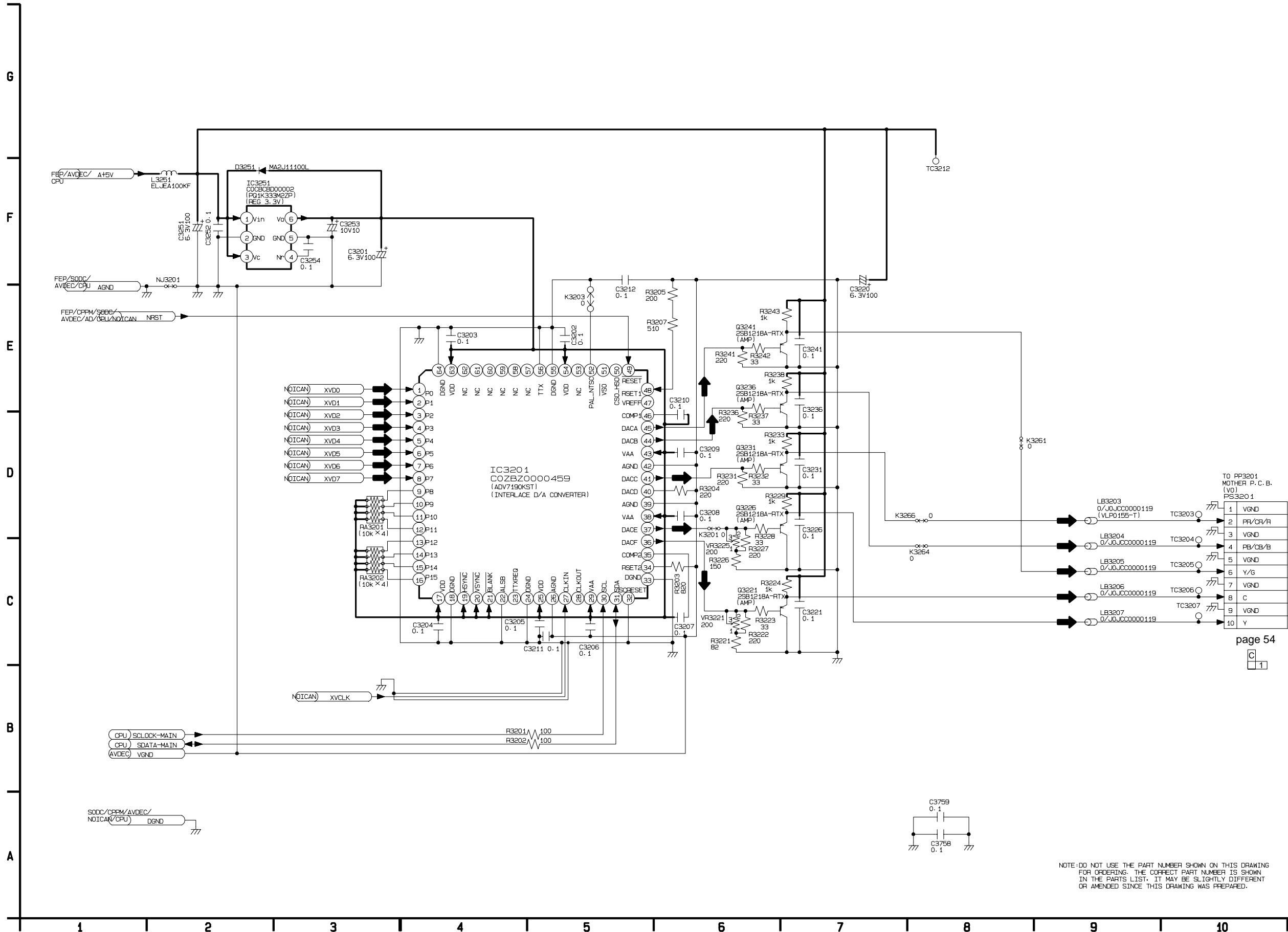
■ SCHEMATIC DIAGRAM (MODULE P.C.B. 4/9)



← VIDEO SIGNAL PATH

NOTE: DO NOT USE THE PART NUMBER SHOWN ON THIS DRAWING FOR ORDERING. THE CORRECT PART NUMBER IS SHOWN IN THE PARTS LIST. IT MAY BE SLIGHTLY DIFFERENT OR AMENDED SINCE THIS DRAWING WAS PREPARED.

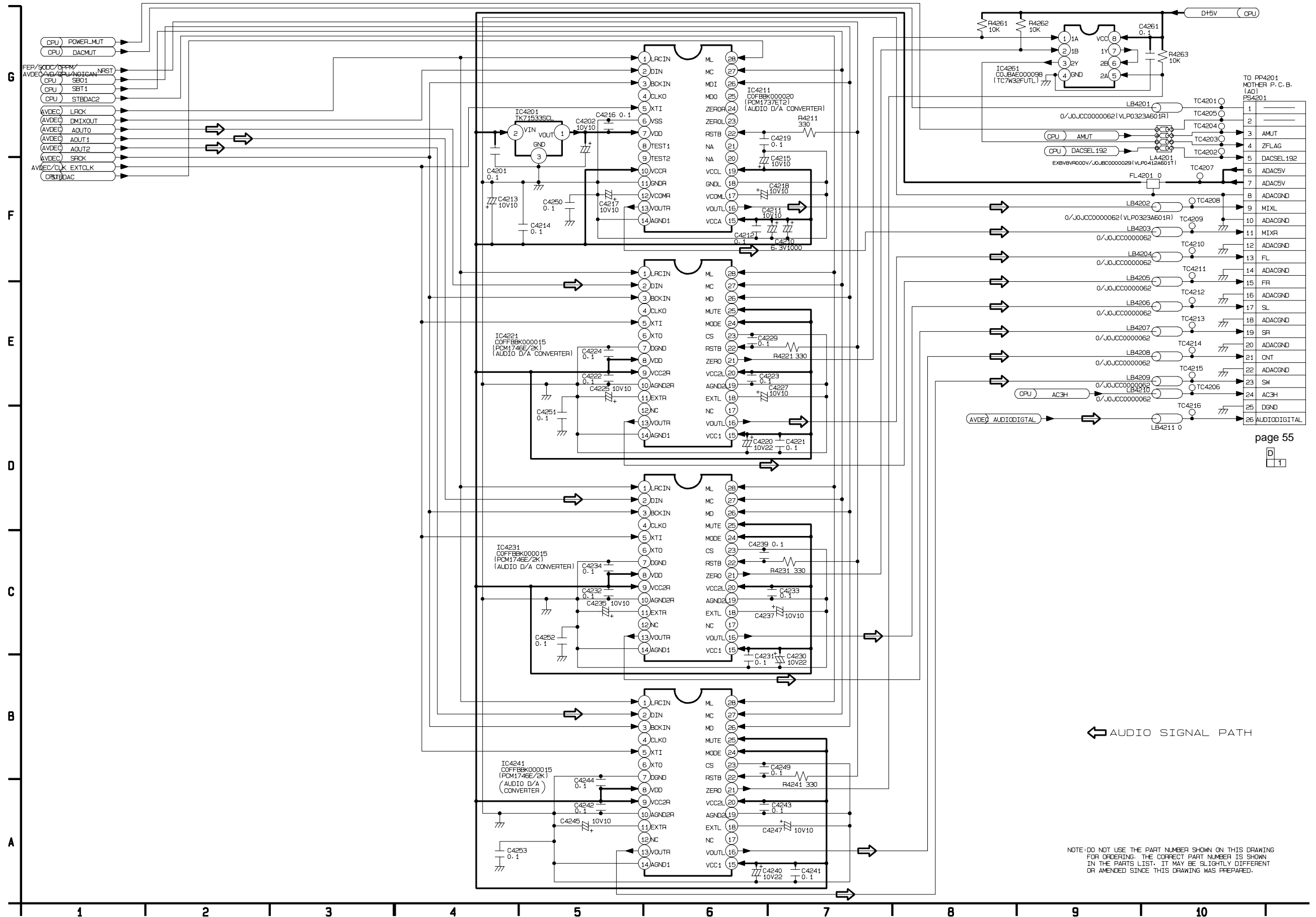
■ SCHEMATIC DIAGRAM (MODULE P.C.B. 5/9)



page 54
C 1

NOTE: DO NOT USE THE PART NUMBER SHOWN ON THIS DRAWING FOR ORDERING. THE CORRECT PART NUMBER IS SHOWN IN THE PARTS LIST. IT MAY BE SLIGHTLY DIFFERENT OR AMENDED SINCE THIS DRAWING WAS PREPARED.

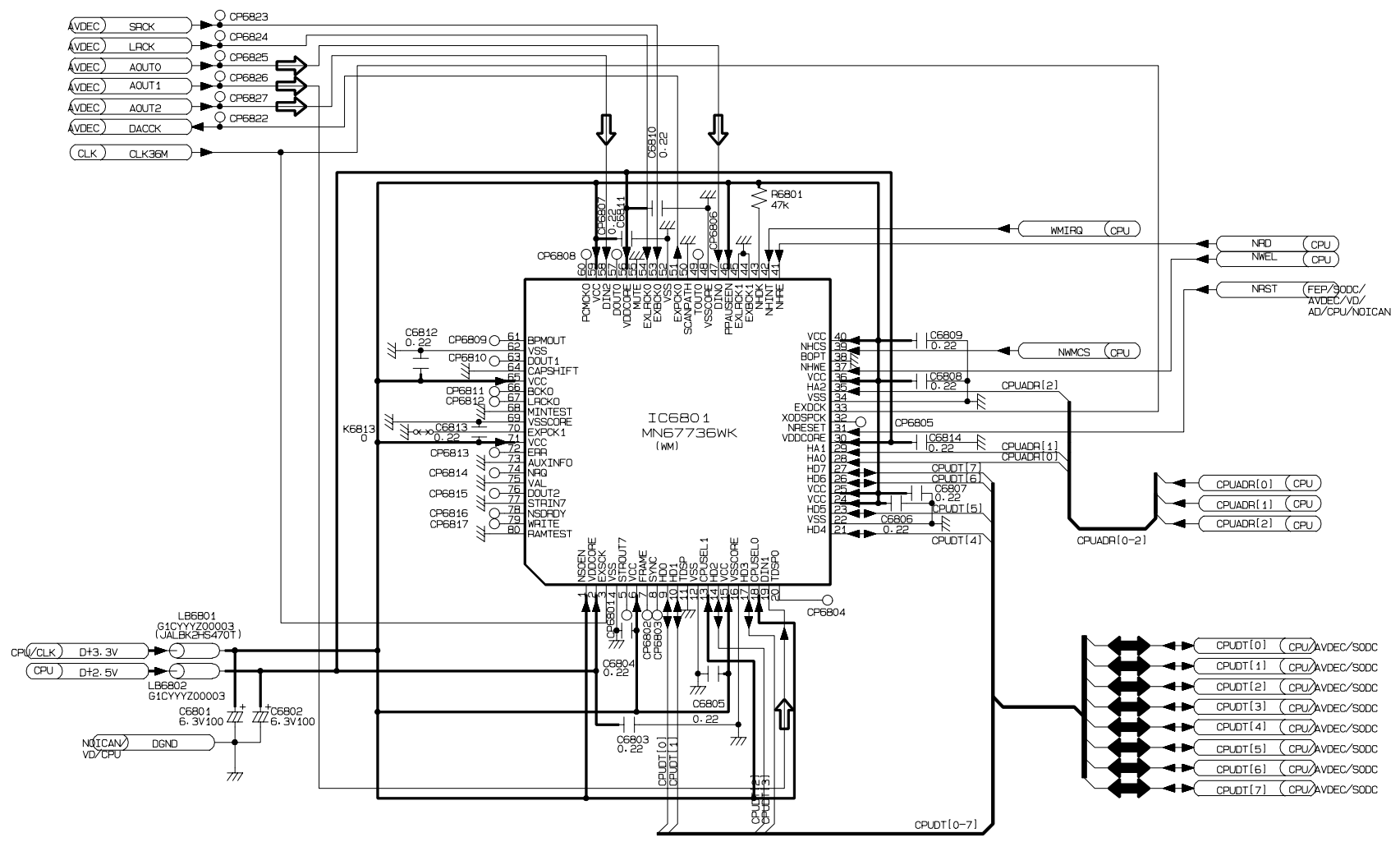
SCHEMATIC DIAGRAM (MODULE P.C.B. 6/9)



■ SCHEMATIC DIAGRAM (MODULE P.C.B. 7/9)

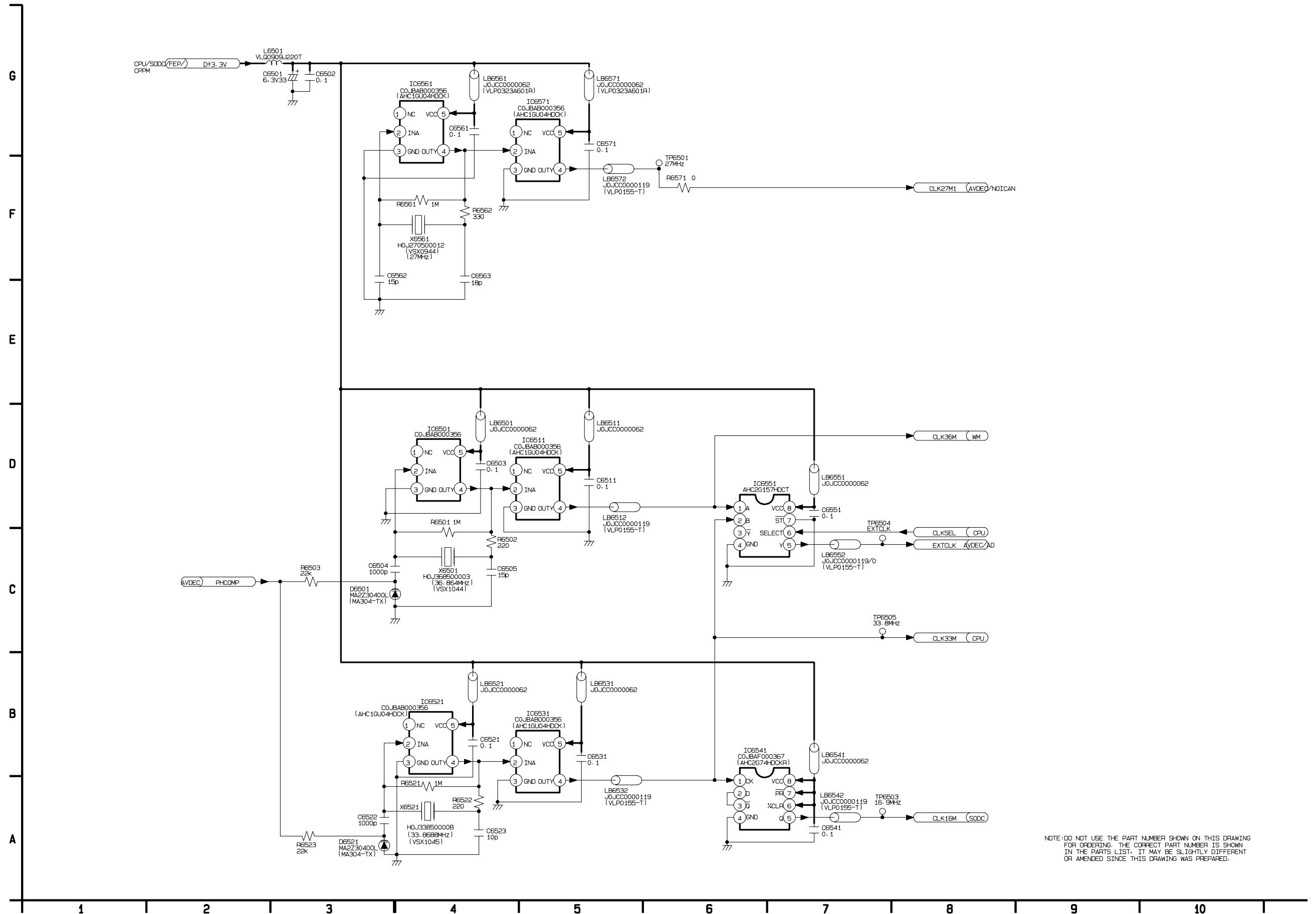
G
F
E
D
C
B
A

← VIDEO SIGNAL PATH
↶ AUDIO SIGNAL PATH



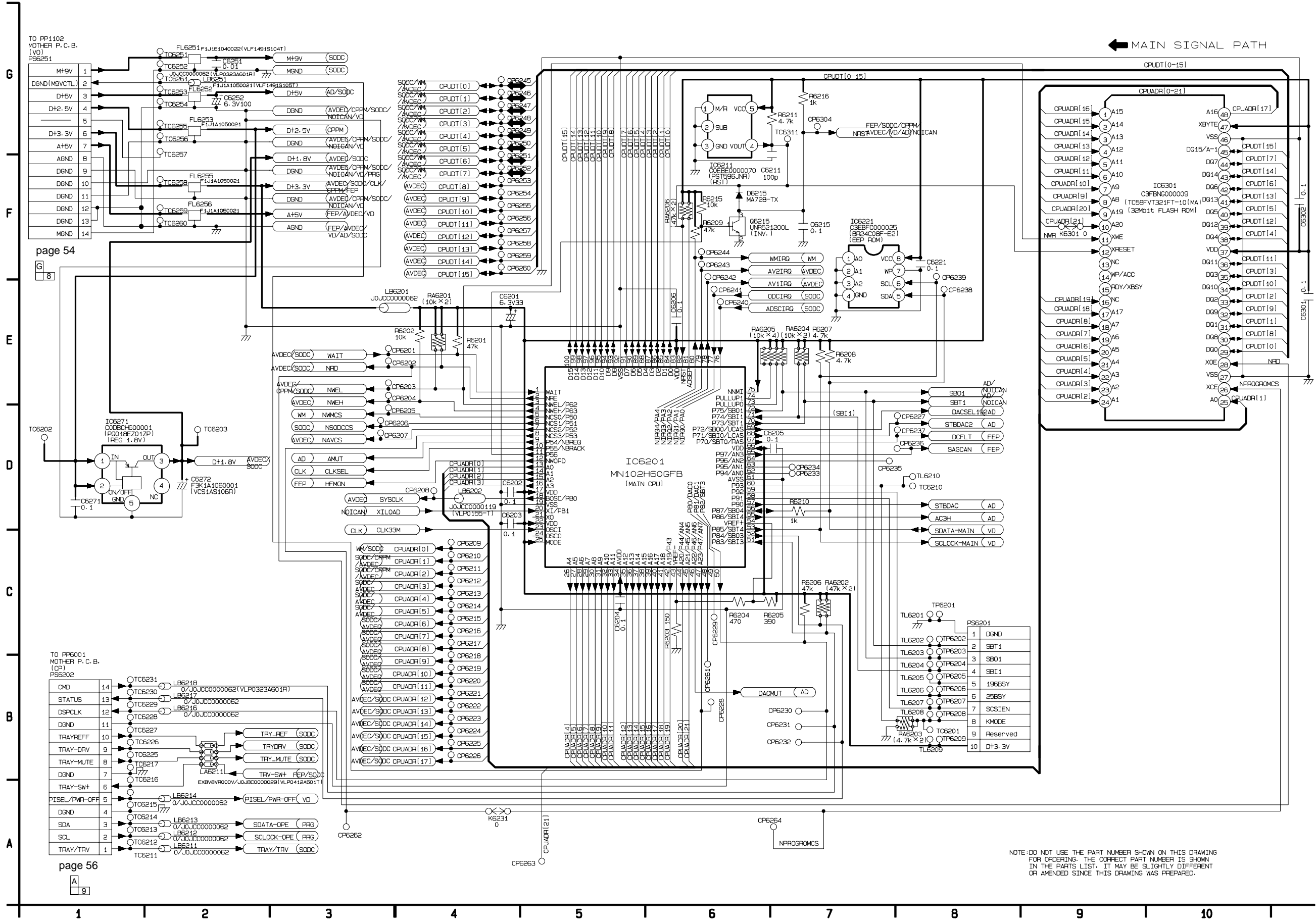
NOTE: DO NOT USE THE PART NUMBER SHOWN ON THIS DRAWING FOR ORDERING. THE CORRECT PART NUMBER IS SHOWN IN THE PARTS LIST. IT MAY BE SLIGHTLY DIFFERENT OR AMENDED SINCE THIS DRAWING WAS PREPARED.

■ SCHEMATIC DIAGRAM (MODULE P.C.B. 8/9)

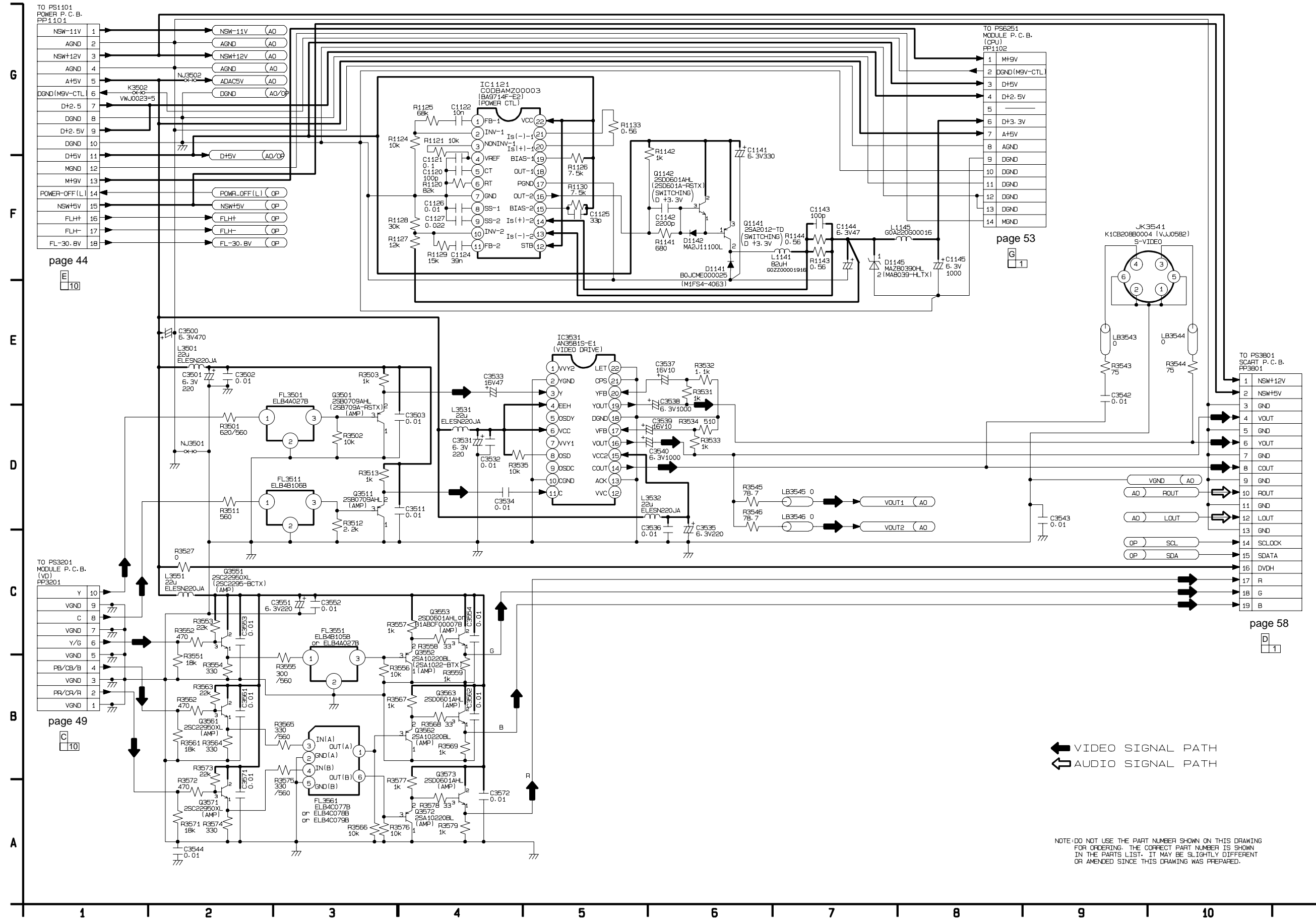


NOTE: DO NOT USE THE PART NUMBER SHOWN ON THIS DRAWING FOR ORDERING. THE CORRECT PART NUMBER IS SHOWN IN THE PARTS LIST. IT MAY BE SLIGHTLY DIFFERENT OR AMENDED SINCE THIS DRAWING WAS PREPARED.

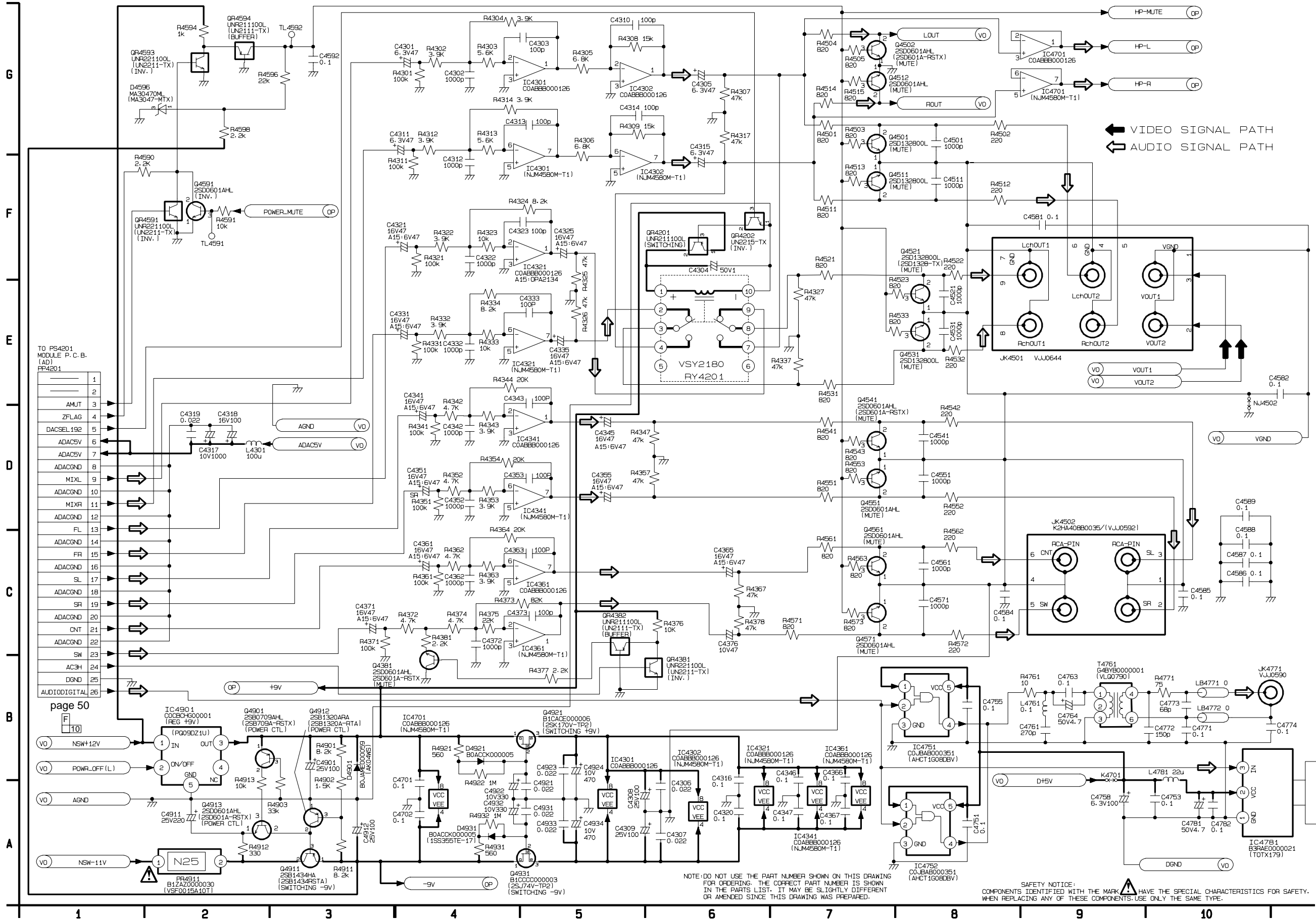
SCHEMATIC DIAGRAM (MODULE P.C.B. 9/9)



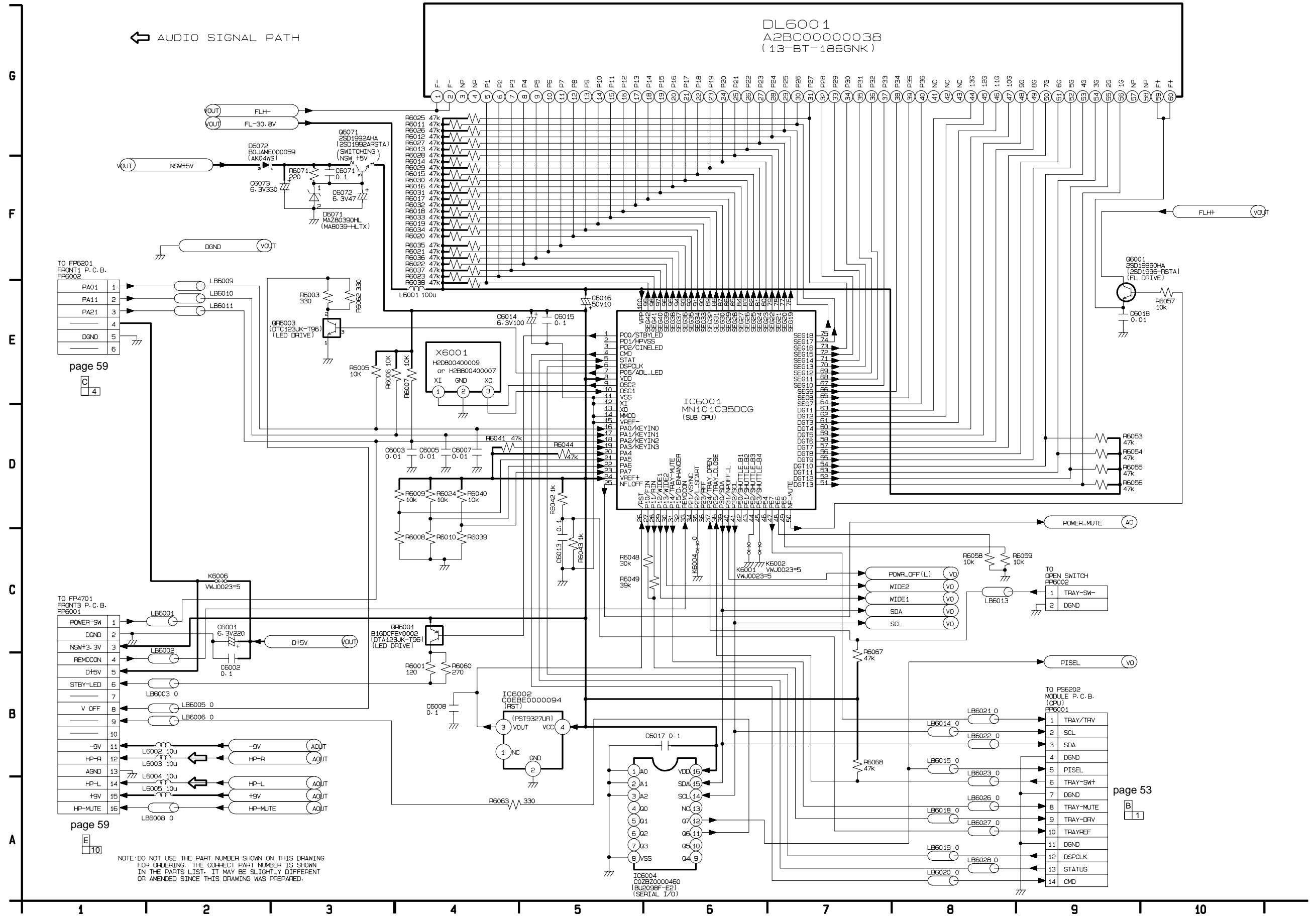
SCHEMATIC DIAGRAM (MOTHER P.C.B. 1/3)



SCHEMATIC DIAGRAM (MOTHER P.C.B. 2/3)



■ SCHEMATIC DIAGRAM (MOTHER P.C.B. 3/3)



TO FP6201
FRONT1 P. C. B.
FP6002

PA01 1
PA11 2
PA21 3
DGND 4
5

page 59

C 4

TO FP4701
FRONT3 P. C. B.
FP6001

POWER-SW 1
DGND 2
NSW+3.3V 3
REMOCON 4
D+5V 5
STBY-LED 6
7
V OFF 8
9
10
-9V 11
HP-R 12
AGND 13
HP-L 14
+9V 15
HP-MUTE 16

LB6001 0
LB6002 0
LB6003 0
LB6005 0
LB6006 0
L5002 10u
L6003 10u
L6004 10u
L6005 10u
LB6008 0

page 59

E 10

TO P56202
MODULE P. C. B.
(CPU)
FP6001

1 TRAY/TRV
2 SCL
3 SDA
4 DGND
5 PISEL
6 TRAY-SW+
7 DGND
8 TRAY-MUTE
9 TRAY-DRV
10 TRAYREF
11 DGND
12 DSPCLK
13 STATUS
14 CMD

page 53

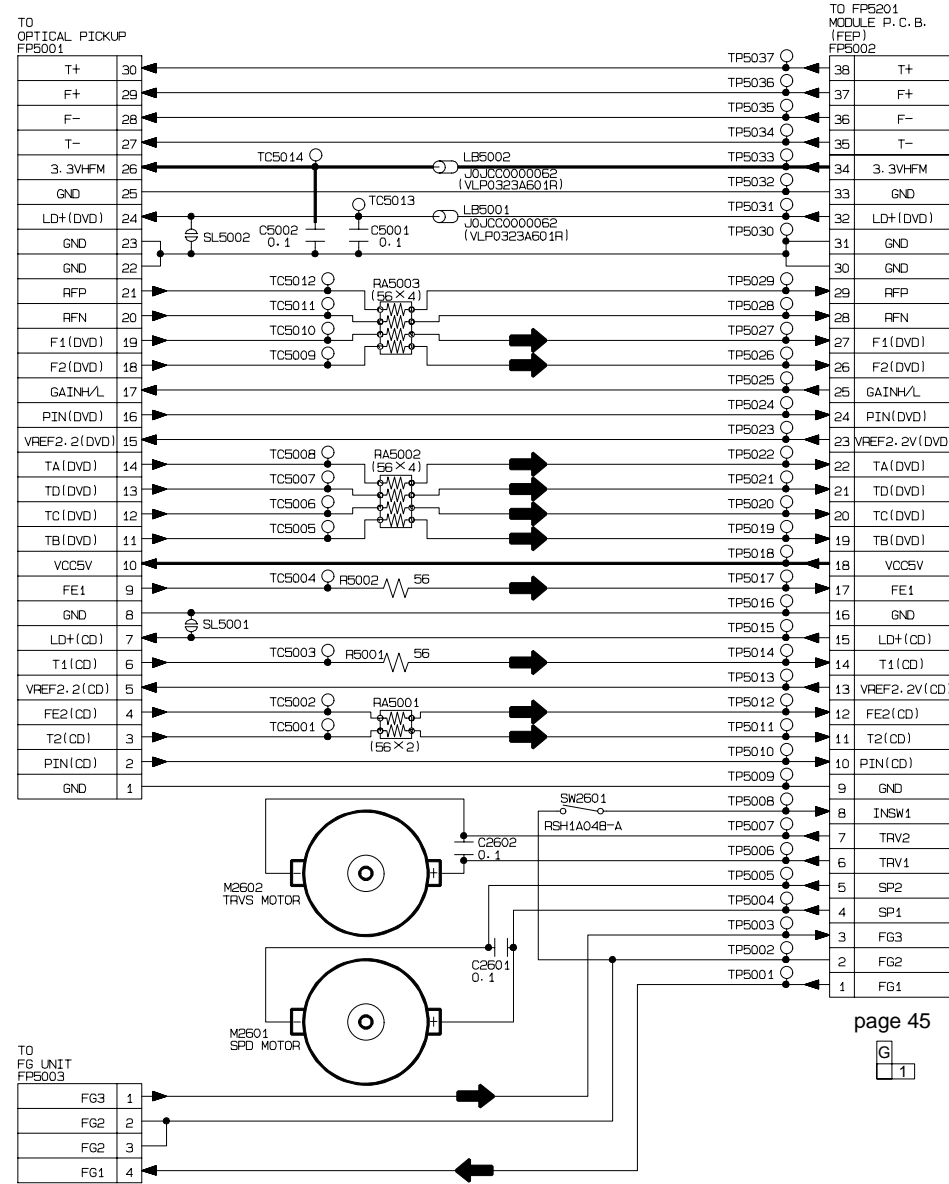
B 1

NOTE: DO NOT USE THE PART NUMBER SHOWN ON THIS DRAWING FOR ORDERING. THE CORRECT PART NUMBER IS SHOWN IN THE PARTS LIST. IT MAY BE SLIGHTLY DIFFERENT OR AMENDED SINCE THIS DRAWING WAS PREPARED.

■ SCHEMATIC DIAGRAM (TERMINAL P.C.B.)

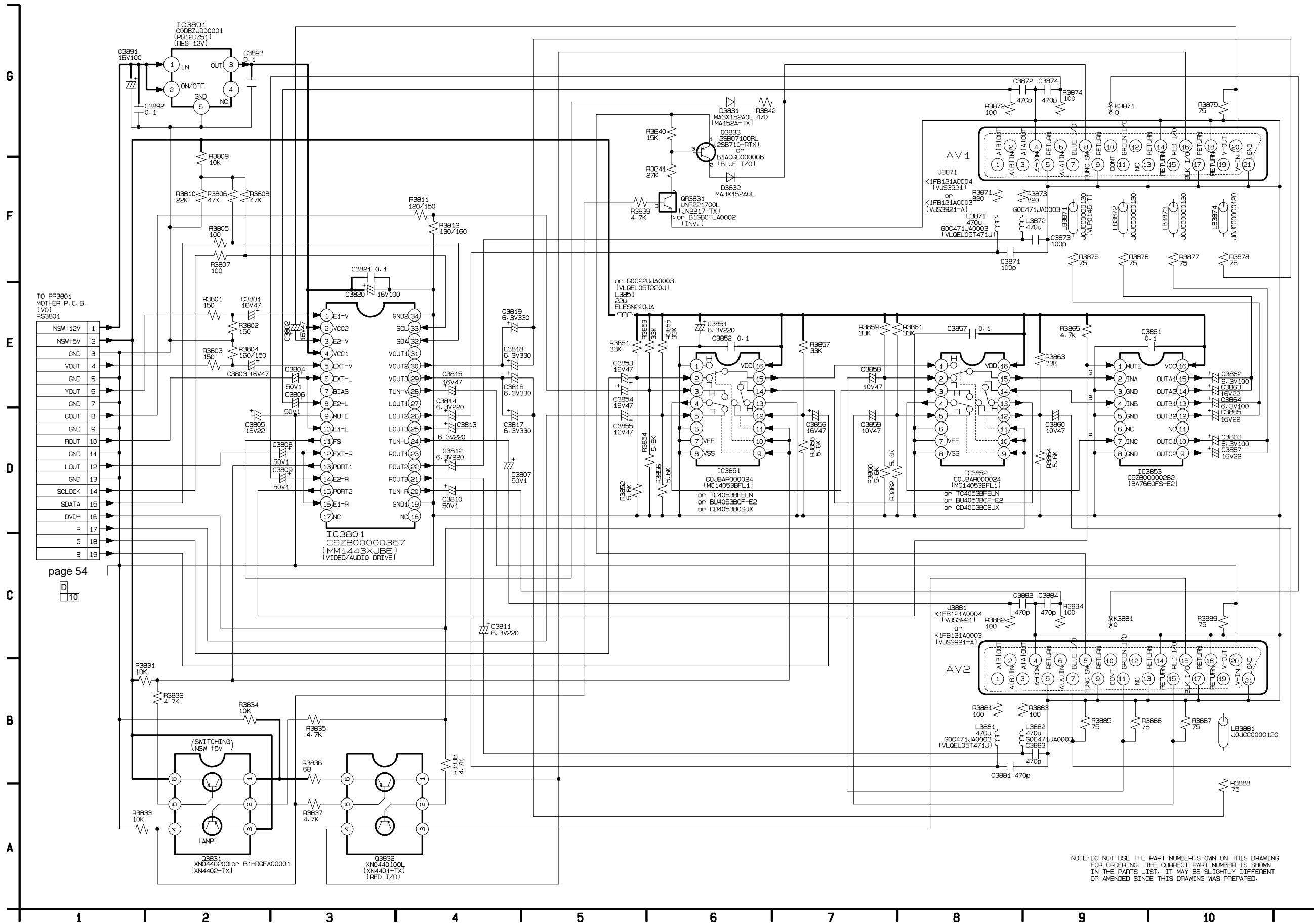
G
F
E
D
C
B
A

← MAIN SIGNAL PATH



NOTE: DO NOT USE THE PART NUMBER SHOWN ON THIS DRAWING FOR ORDERING. THE CORRECT PART NUMBER IS SHOWN IN THE PARTS LIST. IT MAY BE SLIGHTLY DIFFERENT OR AMENDED SINCE THIS DRAWING WAS PREPARED.

■ SCHEMATIC DIAGRAM (SCART P.C.B.)

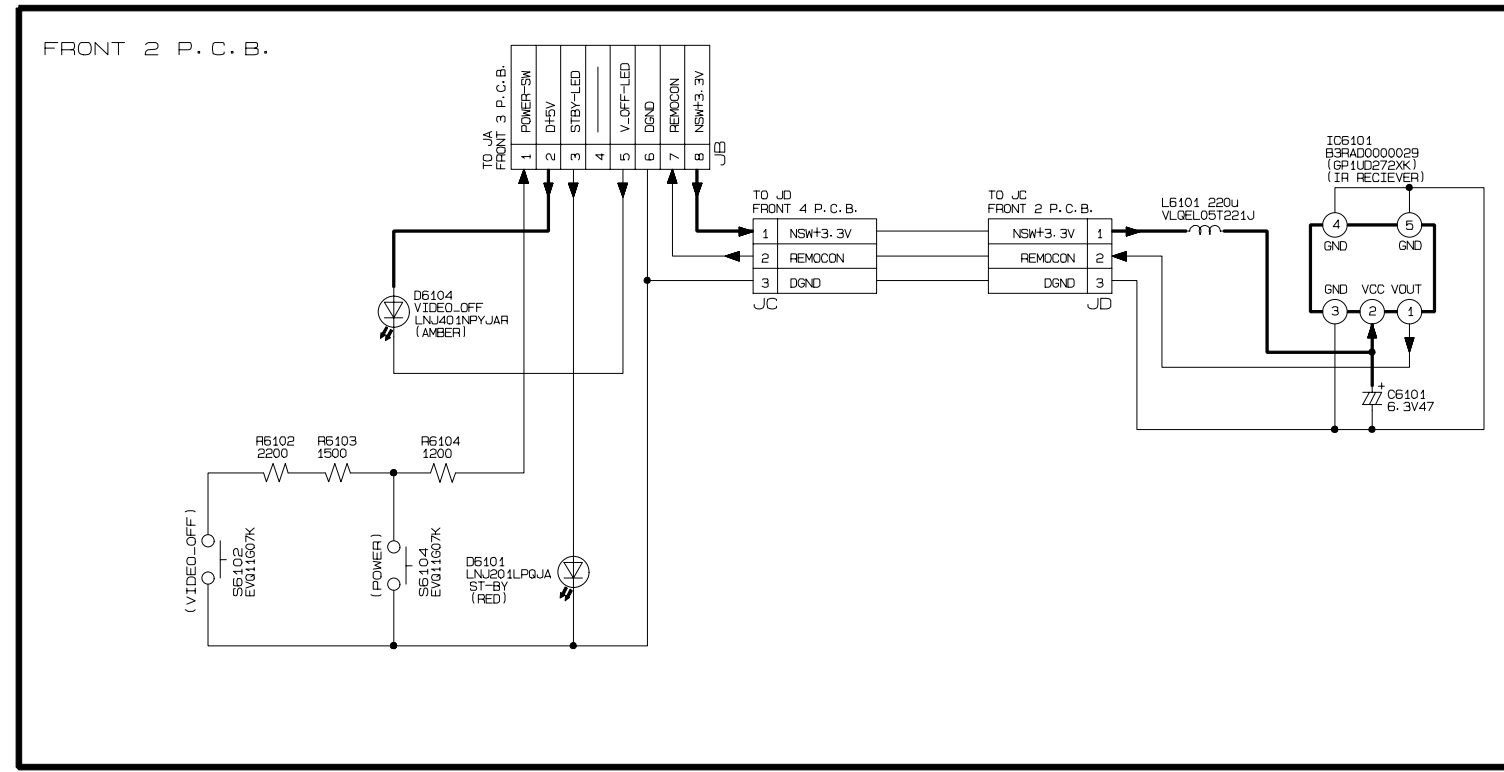
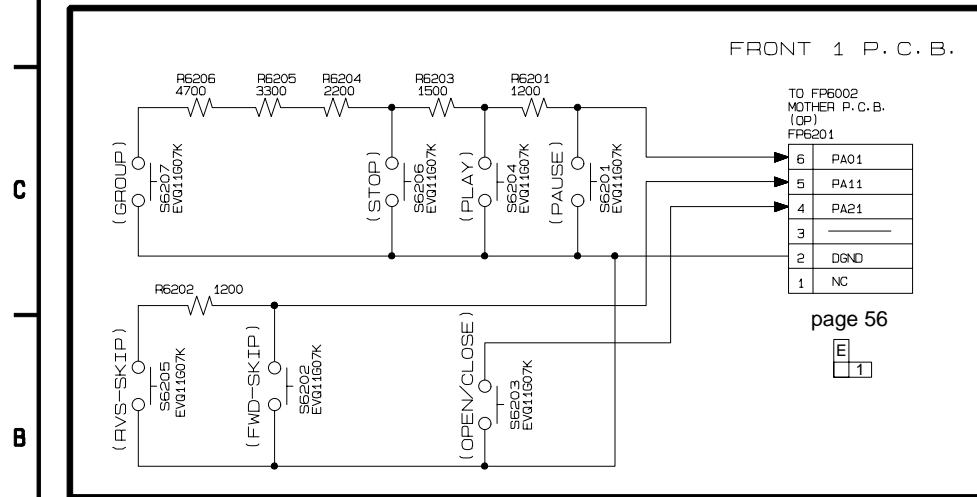
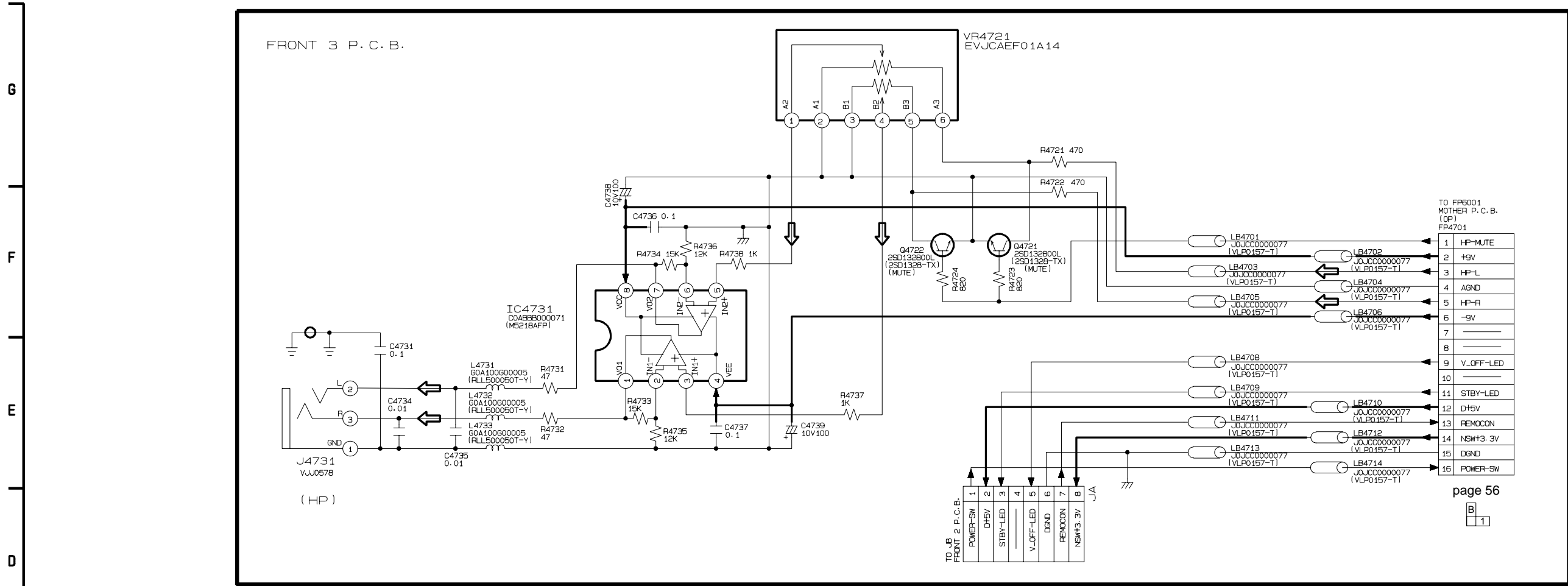


TO PP3801
MOTHER P.C.B.
(V0)
PS3801

page 54
D 10

NOTE: DO NOT USE THE PART NUMBER SHOWN ON THIS DRAWING FOR ORDERING. THE CORRECT PART NUMBER IS SHOWN IN THE PARTS LIST. IT MAY BE SLIGHTLY DIFFERENT OR AMENDED SINCE THIS DRAWING WAS PREPARED.

■ SCHEMATIC DIAGRAM (FRONT P.C.B.)



← AUDIO SIGNAL PATH

NOTE: DO NOT USE THE PART NUMBER SHOWN ON THIS DRAWING FOR ORDERING. THE CORRECT PART NUMBER IS SHOWN IN THE PARTS LIST. IT MAY BE SLIGHTLY DIFFERENT OR AMENDED SINCE THIS DRAWING WAS PREPARED.

VOLTAGE CHART

Power Supply P.C.B.

Ref No.	IC1101																			
MODE	A	R	K																	
STOP	0	2.5	3.3																	
PLAY	0	2.5	3.3																	
Ref No.	IC1125																			
MODE	1	2	3	4	5															
STOP	3.9	3.0	2.6	1.2	0															
PLAY	4.4	3.0	2.6	1.2	0															
Ref No.	IC1151																			
MODE	1	2	3	4	5															
STOP	0	3.0	9.9	9.1	11.8															
PLAY	0	3.0	9.9	9.1	11.8															

Ref No.	Q1021			Q1051				Q1052			Q1061			Q1062		
MODE	1	2	3	1	2	3	4	E	C	B	1	2	3	1	2	3
STOP	-46.5	114.2	-46.8	5.2	4.1	-45.9	-36.2	-46.7	-46.9	-44.9	-46.6	-46.6	-46.2	-46.6	-34.5	-44.9
PLAY	-46.3	-64.5	-46.6	5.2	4.1	-45.9	-36.2	-46.7	-46.9	-46.7	-44.3	-46.4	-46.4	-	-38.5	-46.4
Ref No.	Q1063			Q1115			Q1155									
MODE	1	2	3	1	2	3	1	2	3							
STOP	-46.7	-46.7	-46.9	5.1	5.0	0	11.8	9.2	11.7							
PLAY	-46.7	-46.9	-46.9	5.1	0	0	0	0	0							

Ref No.	QR1115			QR1155																
MODE	1	2	3	1	2	3														
STOP	0	0	3.0	0	11.7	0														
PLAY	0.2	0	0	0	0	0														

Module P.C.B.

Ref No.	IC2001																			
MODE	1	2	3	4	5	6	7	8	9	10	11	12	13	14	15	16	17	18	19	20
STOP	0	3.3	3.3	0	3.3	3.3	0	0	1.9	2.3	2.2	2.2	2.3	2.4	2.3	2.2	2.4	1.8	0	1.8
PLAY	0	3.3	3.3	0	3.3	3.3	0	0	1.9	2.1	0	0	0	0	3.3	1.8	2.2	1.8	0	1.8
Ref No.	IC2001																			
MODE	21	22	23	24	25	26	27	28	29	30	31	32	33	34	35	36	37	38	39	40
STOP	0	2.3	2.2	3.0	2.5	3.0	2.6	3.3	3.3	3.3	3.3	0	3.3	3.3	3.3	3.3	3.2	3.2	3.2	3.2
PLAY	0	1.9	2.0	2.7	2.2	2.6	2.6	1.7	2.5	1.4	3.3	0	3.3	3.3	3.3	3.3	2.8	2.8	2.7	2.7
Ref No.	IC2001																			
MODE	41	42	43	44	45	46	47	48	49	50	51	52	53	54	55	56	57	58	59	60
STOP	3.2	3.2	3.2	2.0	1.5	0	3.2	0	3.3	3.3	3.3	0	0	0	3.3	3.3	3.3	1.8	0	0
PLAY	2.6	2.7	2.6	2.6	1.5	0	3.2	0	3.3	3.3	0	0	0	0	3.3	0	3.3	1.8	0	0
Ref No.	IC2001																			
MODE	61	62	63	64	65	66	67	68	69	70	71	72	73	74	75	76	77	78	79	80
STOP	3.2	3.3	0	0	1.8	2.0	1.6	1.6	3.3	0	0	0	3.3	3.3	0	1.8	0	3.3	1.5	1.5
PLAY	3.2	3.3	3.3	0	2.1	1.0	1.6	2.2	1.3	3.3	3.3	0	3.3	3.3	0	1.8	0	3.3	1.5	1.5
Ref No.	IC2001																			
MODE	81	82	83	84	85	86	87	88	89	90	91	92	93	94	95	96	97	98	99	100
STOP	0	0	0	1.6	0	1.7	1.7	3.3	0	1.6	1.6	0	0	0	1.7	1.6	1.4	1.6	3.3	1.4
PLAY	0	0	0	1.6	0	1.7	1.7	3.3	0	1.6	1.6	0	0	0	1.7	1.6	1.4	1.6	3.3	1.4
Ref No.	IC2001																			
MODE	101	102	103	104	105	106	107	108	109	110	111	112	113	114	115	116	117	118	119	120
STOP	1.4	0	1.5	2.1	2.8	1.7	1.6	1.5	3.3	1.6	1.6	2.7	0	1.7	1.7	3.3	1.7	1.6	1.7	1.7
PLAY	1.4	0	1.5	2.1	2.8	1.7	1.6	1.5	3.3	1.6	1.6	2.2	0	1.7	1.7	3.3	1.7	1.6	2.1	2.5
Ref No.	IC2001																			
MODE	121	122	123	124	125	126	127	128	129	130	131	132	133	134	135	136	137	138	139	140
STOP	2.3	1.7	1.7	0	3.3	0	1.2	1.3	1.3	1.3	3.3	3.3	0	3.3	3.3	1.7	3.3	0	3.3	0
PLAY	2.1	1.7	1.7	0	3.3	0	1.4	1.3	1.3	1.3	3.3	3.3	0	3.3	3.3	1.7	3.3	0	3.3	0
Ref No.	IC2001																			
MODE	141	142	143	144	145	146	147	148	149	150	151	152	153	154	155	156	157	158	159	160
STOP	0	3.3	3.3	0	0	1.6	3.3	3.3	0	0	3.3	1.8	0	0	0	3.3	0	0	0	3.3
PLAY	0.4	3.3	3.3	0	0	1.6	3.3	3.3	0.9	0	0.6	1.8	0	0	0	3.3	0	1.0	0	0.9
Ref No.	IC2001																			
MODE	161	162	163	164	165	166	167	168	169	170	171	172	173	174	175	176				
STOP	0	3.3	0	0	0	3.3	0	3.3	3.3	0	0	0	0	3.3	3.3	3.3				
PLAY	0	3.3	0	0.8	0	0.7	0	1.0	3.3	0	0	0.8	0	3.3	3.3	3.3				
Ref No.	IC2501																			
MODE	1	2	3	4	5	6	7	8	9	10	11	12	13	14	15	16	17	18	19	20
STOP	1.7	1.7	1.7	1.7	1.7	0.1	0	5.0	0	0	2.9	2.9	2.9	2.9	4.4	4.4	4.4	4.4	0	3.1
PLAY	1.7	1.7	1.7	1.7	1.7	0.1	0	5.0	3.3	0	2.9	2.9	2.9	2.9	3.6	4.4	5.9	2.5	0	3.1
Ref No.	IC2501																			
MODE	21	22	23	24	25	26	27	28												
STOP	9.2	9.2	1.7	1.6	1.6	1.7	0	3.1												
PLAY	9.2	9.2	1.9	1.6	1.6	1.7	3.3	3.1												
Ref No.	IC2502																			
MODE	1	2	3	4	5															
STOP	1.7	1.7	0	0	4.9															
PLAY	1.7	1.7	0	0	4.9															

DVD-S1200

Ref No.	IC3001																			
MODE	1	2	3	4	5	6	7	8	9	10	11	12	13	14	15	16	17	18	19	20
STOP	3.3	0	1.2	0.1	1.8	1.2	0.1	1.0	0	1.2	3.3	3.4	3.3	0	1.7	1.8	3.3	3.4	2.3	0
PLAY	3.3	0	1.6	0.1	1.8	1.7	0.1	1.6	0	1.6	3.3	3.4	3.3	0	0	1.8	2.8	3.4	0	0
Ref No.	IC3001																			
MODE	21	22	23	24	25	26	27	28	29	30	31	32	33	34	35	36	37	38	39	40
STOP	0	0	3.3	0	3.4	1.4	3.3	3.3	0	1.5	0	2.5	3.5	2.2	2.3	2.4	1.8	2.3	2.3	3.3
PLAY	3.3	3.3	3.1	3.3	3.4	1.4	0.2	2.6	1.7	3.3	0	2.1	2.7	2.2	1.9	2.2	1.8	1.9	1.8	2.1
Ref No.	IC3001																			
MODE	41	42	43	44	45	46	47	48	49	50	51	52	53	54	55	56	57	58	59	60
STOP	3.3	3.3	0	2.2	2.3	2.1	2.9	3.3	3.1	3.1	3.1	3.1	0	3.1	3.1	3.1	1.8	3.1	3.2	3.1
PLAY	1.8	1.7	0	2.0	2.1	1.9	2.8	3.3	2.6	2.8	2.8	2.8	0	2.8	2.8	2.8	1.8	2.6	2.6	2.7
Ref No.	IC3001																			
MODE	61	62	63	64	65	66	67	68	69	70	71	72	73	74	75	76	77	78	79	80
STOP	3.4	3.1	3.1	0	3.2	3.1	3.2	3.4	0	1.7	3.4	0	0	3.3	0	3.3	1.8	3.3	3.3	3.3
PLAY	3.4	2.8	2.8	0	2.9	2.9	2.9	3.3	0.5	1.7	3.4	0	0.8	0.8	0.8	1.6	1.8	1.1	1.0	1.0
Ref No.	IC3001																			
MODE	81	82	83	84	85	86	87	88	89	90	91	92	93	94	95	96	97	98	99	100
STOP	3.3	0	1.7	0	3.4	1.6	1.7	1.7	0	0	0	0	3.4	0	1.6	1.7	1.8	0	1.8	1.5
PLAY	0.8	0	1.7	0.8	3.3	1.8	1.7	1.7	0	0.8	0	0	3.4	0	0	1.7	1.8	0	1.8	1.5
Ref No.	IC3001																			
MODE	101	102	103	104	105	106	107	108	109	110	111	112	113	114	115	116	117	118	119	120
STOP	3.4	0	0	0	3.4	1.6	1.8	0	3.3	0	0	3.3	0	0	2.9	0	3.4	0	0.1	3.0
PLAY	3.4	0	0.2	0	3.4	1.6	1.8	0	3.3	0	0	3.3	0	0	2.9	0	3.3	0	0	3.3
Ref No.	IC3001																			
MODE	121	122	123	124	125	126	127	128	129	130	131	132	133	134	135	136	137	138	139	140
STOP	0	3.4	0	0.1	3.4	0	0	0	0	3.3	0	0	0	0	0	1.6	0	0	0	0
PLAY	0	0	0	0.1	3.4	0	3.3	0	0	2.9	0	0	0	0	0	1.6	0	0	0	0
Ref No.	IC3001																			
MODE	141	142	143	144	145	146	147	148	149	150	151	152	153	154	155	156	157	158	159	160
STOP	3.4	0	0	3.3	3.1	1.8	1.3	0.6	0.7	0.7	0	2.0	0.3	0.3	1.3	0	0	2.8	2.9	3.3
PLAY	3.4	0	0	3.3	3.1	1.8	1.3	1.2	1.3	1.3	0	1.6	1.1	1.5	1.2	3.3	0	2.2	2.9	3.3
Ref No.	IC3001																			
MODE	161	162	163	164	165	166	167	168	169	170	171	172	173	174	175	176	177	178	179	180
STOP	2.6	2.8	0	2.7	2.7	3.3	3.0	2.8	0	2.8	3.1	3.3	2.7	1.8	2.9	0	2.8	2.7	3.3	2.9
PLAY	3.1	2.8	0	0	2.7	3.3	3.0	-	0	-	2.6	3.3	0	1.8	2.6	0	2.8	-	3.3	2.6
Ref No.	IC3001																			
MODE	181	182	183	184	185	186	187	188	189	190	191	192	193	194	195	196	197	198	199	200
STOP	2.8	0	1.7	1.8	1.7	0	3.4	3.4	2.6	0.1	1.8	2.5	3.3	0	3.2	3.2	3.3	1.5	3.0	0
PLAY	2.8	0	1.7	1.8	1.7	0	3.4	3.4	2.2	0.2	1.8	1.9	3.3	0	3.2	3.2	3.3	1.3	3.0	0
Ref No.	IC3001																			
MODE	201	202	203	204	205	206	207	208												
STOP	0	1.8	1.2	0	0	1.1	0	0												
PLAY	0	1.8	1.4	0	3.3	0	1.5	0												
Ref No.	IC3061																			
MODE	1	2	3	4	5	6	7	8	9	10	11	12	13	14	15	16	17	18	19	20
STOP	3.3	2.8	0	2.7	2.8	0	2.7	3.0	3.3	2.7	2.8	0	2.8	3.3	2.5	0	3.2	3.3	3.1	1.0
PLAY	3.3	2.6	3.1	2.7	2.8	0	2.9	3.0	3.3	2.9	2.8	0	2.8	3.3	2.5	3.3	3.2	3.3	3.1	0
Ref No.	IC3061																			
MODE	21	22	23	24	25	26	27	28	29	30	31	32	33	34	35	36	37	38	39	40
STOP	0	0	0	0	0	1.1	3.3	0	1.0	1.1	1.1	1.1	0	0	1.4	0	3.3	1.7	2.4	0
PLAY	0.3	0	0	0	0.3	1.6	3.3	0	1.4	1.6	1.6	1.4	0	0	1.4	0	3.3	1.7	1.9	0
Ref No.	IC3061																			
MODE	41	42	43	44	45	46	47	48	49	50	51	52	53	54						
STOP	0	2.9	3.3	2.6	2.6	0	2.6	3.0	3.3	2.4	2.4	0	2.9	0						
PLAY	0	2.9	3.3	2.8	2.7	0	2.8	2.8	3.3	2.9	2.9	0	2.2	0						
Ref No.	IC3091																			
MODE	1	2	3	4	5	6	7	8												
STOP	1.6	1.9	1.9	0	1.5	1.5	2.1	4.8												
PLAY	1.6	1.9	1.9	0	1.5	1.5	2.1	4.8												
Ref No.	IC3201																			
MODE	1	2	3	4	5	6	7	8	9	10	11	12	13	14	15	16	17	18	19	20
STOP	1.4	0.6	0.7	0.7	2.0	0.3	0.3	1.4	3.3	3.3	3.3	3.3	3.3	3.3	3.3	3.3	3.3	0	3.3	3.3
PLAY	1.4	1.3	1.3	1.1	1.6	1.2	1.6	1.2	3.3	3.3	3.3	3.3	3.3	3.3	3.3	3.3	3.3	0	3.3	3.3
Ref No.	IC3201																			
MODE	21	22	23	24	25	26	27	28	29	30	31	32	33	34	35	36	37	38	39	40
STOP	3.3	0	0	0	3.0	3.0	0	0	1.3	1.6	0.5	0.4	3.3	0	0	0.8	0.4	3.3	0	0
PLAY	3.3	0	0	0	3.3	0	1.6	0	3.3	3.0	3.1	0	0	1.3	0.5	0.5	0.6	3.3	0	0
MODE	41	42	43	44	45	46	47	48	49	50	51	52	53	54	55	56	57	58	59	60
STOP	0.8	0	3.3	0.8	0	1.6	1.3	1.3	3.2	3.1	3.3	0	0	3.3	0	0	0	0	0	0
PLAY	0.8	0	3.3	0.8	0	1.6	1.3	1.3	3.2	3.1	3.3	0	0	3.3	0	0	0	0	0	0
Ref No.	IC3201																			
MODE	61	62	63	64																
STOP	0	0	3.3	0																
PLAY	0	0	3.3	0																
Ref No.	IC3251																			
MODE	1	2	3	4	5	6														
STOP	4.8	0	4.8	1.3	0	3.3														
PLAY	4.8	0	4.8	1.3	0	3.3														
Ref No.	IC3261																			
MODE	1	2	3	4	5	6	7	8	9	10	11	12	13	14	15	16				
STOP	1.3	1.5	1.3	1.5	1.5	0	0	0	0	0	0	1.0	1.2	1.0	1.5	4.8				
PLAY	1.3	1.5	1.3	1.5	1.5	0	0	0	0	0	0	1.2	1.4	1.2	1.5	4.8				

Ref No.	IC3701																			
MODE	1	2	3	4	5	6	7	8	9	10	11	12	13	14	15	16	17	18	19	20
STOP	3.4	0	3.4	0	0	0	3.4	3.4	3.1	3.4	0	2.8	3.3	3.1	0.8	0	0	0	0	0
PLAY	3.4	0	3.4	0	0	0	3.4	3.4	3.1	3.4	0	0.6	3.3	3.1	2.8	0	0	0	1.3	1.3
Ref No.	IC3701																			
MODE	21	22	23	24	25	26	27	28	29	30	31	32	33	34	35	36	37	38	39	40
STOP	0	0	3.3	0	0	0	3.3	2.3	0	0	3.4	0	1.9	0.6	0.9	0.9	0.9	0.6	0.6	3.4
PLAY	1.0	0.6	3.3	2.2	1.9	2.4	1.4	0	0	0	3.4	0	1.2	1.1	1.3	1.3	0.5	0.5	3.3	3.4
Ref No.	IC3701																			
MODE	41	42	43	44	45	46	47	48	49	50	51	52	53	54	55	56	57	58	59	60
STOP	2.7	0	0	0	0.9	0.5	0.5	0.5	3.4	1.6	0	0	3.3	0	0	0	0	0	3.4	0
PLAY	3.3	0	0	0	1.2	1.2	1.2	1.2	3.4	1.6	0	0	2.0	0.9	2.1	0.2	0	0	3.4	0
Ref No.	IC3701																			
MODE	61	62	63	64	65	66	67	68	69	70	71	72	73	74	75	76	77	78	79	80
STOP	1.6	3.4	0	0	3.4	0	3.3	3.3	0	1.6	3.4	3.3	0.7	0	1.5	1.7	0	1.7	1.7	1.7
PLAY	1.6	3.4	0	0	3.4	0	3.3	3.3	0	1.6	3.4	3.3	0.7	0	0.6	1.7	0	1.7	1.7	1.7
Ref No.	IC3701																			
MODE	81	82	83	84	85	86	87	88	89	90	91	92	93	94	95	96	97	98	99	100
STOP	3.4	1.7	1.6	1.7	1.8	2.2	0	0	3.3	1.1	0.9	2.1	2.1	2.1	0.9	3.4	0.9	1.4	0	0
PLAY	3.4	1.7	1.6	1.7	2.1	2.2	3.3	0	0	1.1	1.7	2.4	2.2	2.3	1.3	3.4	1.3	1.2	0	0
Ref No.	IC3701																			
MODE	101	102	103	104	105	106	107	108	109	110	111	112	113	114	115	116	117	118	119	120
STOP	3.4	1.0	0.9	0.9	0.9	1.6	1.9	1.9	1.8	2.7	0	1.8	2.1	2.0	3.4	2.0	1.8	1.6	3.0	2.2
PLAY	3.4	1.2	1.2	1.2	1.2	1.3	2.4	2.6	1.1	2.2	0	2.2	2.4	2.0	3.4	2.8	2.5	2.6	1.9	2.2
Ref No.	IC3701																			
MODE	121	122	123	124	125	126	127	128	129	130	131	132	133	134	135	136	137	138	139	140
STOP	1.8	0	1.8	1.8	1.7	1.6	1.6	1.5	2.0	3.4	0	0	0	0	0	0	0	0	0	0
PLAY	2.2	0	2.2	2.2	2.4	2.6	2.6	1.7	2.0	3.4	0	0	0	0	0	0	0	0	0	0
Ref No.	IC3701																			
MODE	141	142	143	144	145	146	147	148	149	150	151	152	153	154	155	156	157	158	159	160
STOP	0	0	0	0	0	0.6	0.7	0.7	-	0	3.4	0.3	0.3	-	0	3.4	1.6	2.9	2.9	2.9
PLAY	0	0	0	0	0	1.3	1.1	1.2	1.6	0	3.4	1.3	1.4	1.2	0	3.4	1.6	2.9	2.9	2.9
Ref No.	IC3731																			
MODE	1	2	3	4	5	6	7	8	9	10	11	12	13	14	15	16	17	18	19	20
STOP	1.4	3.3	1.4	1.2	0	1.2	2.3	3.3	2.6	1.7	0	1.9	1.9	3.3	3.3	0	1.9	1.8	0	1.7
PLAY	1.2	3.3	1.6	1.6	0	1.6	1.9	3.3	2.2	2.2	0	2.0	2.0	3.3	3.3	0	2.2	1.8	0	2.1
Ref No.	IC3731																			
MODE	21	22	23	24	25	26	27	28	29	30	31	32	33	34	35	36	37	38	39	40
STOP	2.8	3.3	0.6	0.6	3.3	3.3	3.3	0	2.2	0	1.6	1.6	1.6	1.6	3.3	0	0	0	0	0
PLAY	2.5	3.3	0.6	0.6	3.3	3.3	3.3	0	2.2	0	1.6	1.6	1.6	1.6	3.3	0	0	0	0	0
Ref No.	IC3731																			
MODE	41	42	43	44	45	46	47	48	49	50	51	52	53	54	55	56	57	58	59	60
STOP	0	0	0	0	0	0	1.6	1.7	1.7	1.7	2.1	0	0	3.3	0	0.6	0	1.7	3.3	1.0
PLAY	0	0	0	0	0	0	1.6	1.7	1.7	1.7	2.1	0	0	3.3	1.6	0.6	0	1.7	3.3	1.6
Ref No.	IC3731																			
MODE	61	62	63	64	65	66	67	68	69	70	71	72	73	74	75	76	77	78	79	80
STOP	0	0	0.9	0.9	3.3	0	3.3	0	0	0	0	0.9	3.3	0	1.7	0	0	0	3.3	3.1
PLAY	1.6	0	1.6	1.6	3.3	0	3.3	1.9	1.7	0	2.3	0.9	3.3	2.2	2.2	0	2.2	2.2	3.3	2.4
Ref No.	IC3731																			
MODE	81	82	83	84	85	86	87	88	89	90	91	92	93	94	95	96	97	98	99	100
STOP	1.5	0	1.5	1.4	0	0	0	0	0	0	0	0	0	0	0	3.3	1.4	0.9	0	2.2
PLAY	2.2	0	2.9	1.7	0	0	0	0	0	0	3.3	3.3	0	0	0	3.3	1.6	1.7	0	1.7
Ref No.	IC3751																			
MODE	1	2	3	4	5	6	7	8	9	10	11	12	13	14	15	16	17	18	19	20
STOP	0	0	0	0.9	0.5	0.5	0.5	3.3	0.1	0.1	0	3.5	0	0	0	1.8	0.8	1.1	1.8	0
PLAY	3.3	0	0	1.2	1.2	1.2	1.3	2.2	1.3	2.1	0.2	3.5	0	0	0	1.3	1.3	1.3	1.2	0.5
Ref No.	IC3751																			
MODE	21	22	23	24	25	26	27	28	29	30	31	32	33	34	35	36	37	38	39	40
STOP	1.2	1.2	1.2	3.3	1.6	0	2.6	3.3	3.1	3.0	3.0	0.6	0	0.4	3.3	0.6	1.7	1.6	1.6	3.2
PLAY	0.5	0.5	3.2	3.3	1.6	0	2.6	3.3	3.1	3.0	3.0	0.5	0	0.7	3.3	0.6	1.7	1.6	1.6	3.2
Ref No.	IC3751																			
MODE	41	42	43	44	45	46	47	48	49	50	51	52								
STOP	3.3	3.3	0	0.1	0.3	0.6	0.7	0.5	0	0	0	0.1								
PLAY	3.3	0	0	0.1	0	0	0.1	0	0	0	0	0.1								
Ref No.	IC3781				IC4201															
MODE	1	2	3	4	5	6		1	2	3										
STOP	4.8	0	4.8	1.3	0	3.3		0	3.3	4.7										
PLAY	4.8	0	4.8	1.3	0	3.3		0	3.3	4.7										
Ref No.	IC4211																			
MODE	1	2	3	4	5	6	7	8	9	10	11	12	13	14	15	16	17	18	19	20
STOP	1.7	0	1.6	0	1.5	0	3.3	0	0	4.7	0	2.3	2.4	0	4.7	2.4	2.3	0	4.7	0
PLAY	1.7	0.8	1.6	0	1.5	0	3.3	0	0	4.7	0	2.3	2.4	0	4.7	2.4	2.3	0	4.7	0
Ref No.	IC4211																			
MODE	21	22	23	24	25	26	27	28												
STOP	0	3.2	3.3	3.3	0	3.3	2.8	3.3												
PLAY	0	3.2	0	0	0	3.3	2.8	3.3												
Ref No.	IC4221																			
MODE	1	2	3	4	5	6	7	8	9	10	11	12	13	14	15	16	17	18	19	20
STOP	1.7	0	1.6	1.9	1.5	3.7	0	4.7	4.7	0	2.3	0	2.3	0	4.7	2.4	0	2.3	0	4.7
PLAY	1.7	0.8	1.6	1.9	1.5	3.7	0	4.7	4.7	0	2.3	0	2.3	0	4.7	2.4	0	2.3	0	4.7
Ref No.	IC4221																			
MODE	21	22	23	24	25	26	27	28												
STOP	0	3.2	0	4.7	4.8	3.3	2.8	3.3												
PLAY	4.9	3.2	0	4.7	4.6	3.3	2.8	3.3												

Ref No.	IC4231																				
MODE	1	2	3	4	5	6	7	8	9	10	11	12	13	14	15	16	17	18	19	20	
STOP	1.7	0	1.6	1.9	1.5	3.6	0	4.7	4.7	0	2.3	0	2.4	0	4.7	2.4	0	2.3	0	4.7	
PLAY	1.7	0	1.6	1.9	1.5	3.6	0	4.7	4.7	0	2.3	0	2.4	0	4.7	2.4	0	2.3	0	4.7	
Ref No.	IC4231																				
MODE	21	22	23	24	25	26	27	28													
STOP	0	3.2	0	4.7	4.7	3.3	2.8	3.3													
PLAY	0	3.2	0	4.7	4.7	3.3	2.8	3.3													
Ref No.	IC4241																				
MODE	1	2	3	4	5	6	7	8	9	10	11	12	13	14	15	16	17	18	19	20	
STOP	1.7	0	1.6	1.9	1.5	3.6	0	4.7	4.7	0	2.3	0	2.4	0	4.7	2.4	0	2.3	0	4.7	
PLAY	1.7	0	1.6	1.9	1.5	3.6	0	4.7	4.7	0	2.3	0	2.4	0	4.7	2.4	0	2.3	0	4.7	
Ref No.	IC4241																				
MODE	21	22	23	24	25	26	27	28													
STOP	0	3.2	0	4.7	4.7	3.3	2.8	3.3													
PLAY	0	3.2	0	4.7	4.7	3.3	2.8	3.3													
Ref No.	IC4261																				
MODE	1	2	3	4	5	6	7	8													
STOP	0	0	0	0	0	0	0	5.0													
PLAY	4.9	0	4.9	0	0	4.9	4.9	4.9													
Ref No.	IC5201																				
MODE	1	2	3	4	5	6	7	8	9	10	11	12	13	14	15	16	17	18	19	20	
STOP	0	4.4	0	4.4	0	1.7	1.7	1.7	3.3	0	3.2	3.3	0	0	1.2	1.7	1.7	1.7	1.7	1.7	
PLAY	0.5	3.2	0	4.4	0	1.7	1.7	2.0	3.3	0	3.2	3.3	0	0	1.2	1.7	1.7	1.7	1.7	2.1	
Ref No.	IC5201																				
MODE	21	22	23	24	25	26	27	28	29	30	31	32	33	34	35	36	37	38	39	40	
STOP	1.7	1.7	2.7	0	1.7	0	2.2	4.8	1.7	1.8	1.8	2.1	0	2.1	1.5	3.3	1.2	0	3.3	0	
PLAY	1.7	1.7	2.7	0	1.7	0	2.2	4.8	1.7	1.8	1.8	2.1	0	2.1	1.5	3.3	1.2	0	0	0	
Ref No.	IC5201																				
MODE	41	42	43	44	45	46	47	48	49	50	51	52	53	54	55	56	57	58	59	60	
STOP	1.7	1.6	1.6	1.1	1.7	2.2	2.2	2.2	2.2	2.1	2.2	2.1	2.2	2.3	4.8	2.2	2.2	2.2	2.2	2.2	
PLAY	2.5	1.4	1.8	2.2	1.9	2.2	2.2	2.2	2.2	2.1	2.2	2.1	2.2	2.3	4.8	2.2	2.2	2.2	2.2	2.2	
Ref No.	IC5201																				
MODE	61	62	63	64																	
STOP	0	2.2	2.2	0																	
PLAY	0	2.2	2.2	0																	
Ref No.	IC5261										IC5262										
MODE	1	2	3	4	5	6	7	8	1	2	3	4	5	6	7	8					
STOP	1.2	1.2	1.2	0	1.4	1.4	2.2	4.8	2.2	2.2	2.2	0	2.2	2.2	2.2	4.9					
PLAY	1.2	1.2	1.2	0	1.4	1.4	2.2	4.8	2.2	2.2	2.2	0	2.2	2.2	2.2	4.9					
Ref No.	IC5263																				
MODE	1	2	3	4	5	6	7	8	9	10	11	12	13	14	15	16					
STOP	0	1.7	2.2	2.2	2.2	0	0	0	3.3	0	0.2	1.1	1.1	1.7	4.9	4.9					
PLAY	0	0	0	0	0	0	0	0	3.3	0	0	2.2	0.1	2.2	2.0	4.9					
Ref No.	IC5264								IC5265												
MODE	1	2	3	4	5	6	7	8	1	2	3	4	5								
STOP	2.2	0	0	0	2.2	1.2	2.2	4.8	2.2	2.2	0	1.4	4.8								
PLAY	2.2	0	0	0	2.2	1.2	2.2	4.8	2.2	2.2	0	1.4	4.8								
Ref No.	IC5266								IC5267												
MODE	1	2	3	4	5	6	7	8	1	2	3	4	5	6	7	8					
STOP	1.7	4.2	0	0	1.1	0	0	4.8	1.7	0	0	0	1.0	0	0	4.9					
PLAY	0	0	0	0	0	0	0	4.8	1.9	1.8	0	0	0	0	0	0					
Ref No.	IC6201																				
MODE	1	2	3	4	5	6	7	8	9	10	11	12	13	14	15	16	17	18	19	20	
STOP	3.3	3.1	3.3	3.3	3.3	3.3	3.3	3.0	3.3	0	0	3.3	2.1	3.0	3.0	2.8	3.3	1.3	0	0	
PLAY	3.3	2.7	3.3	3.3	3.3	3.3	3.3	2.5	0	0	0	0.1	1.4	2.6	1.7	1.4	3.3	1.3	0	0	
Ref No.	IC6201																				
MODE	21	22	23	24	25	26	27	28	29	30	31	32	33	34	35	36	37	38	39	40	
STOP	3.3	3.3	1.5	1.8	3.3	3.0	2.5	3.0	2.2	2.3	2.4	2.2	2.2	3.3	2.4	2.2	1.7	0	0	0	
PLAY	3.3	3.3	1.5	1.8	3.3	2.6	2.1	0	0	1.9	2.4	1.9	2.0	3.3	2.2	1.8	1.7	2.0	2.1	1.9	
Ref No.	IC6201																				
MODE	41	42	43	44	45	46	47	48	49	50	51	52	53	54	55	56	57	58	59	60	
STOP	0	0	0.5	0	0	0	0	0	0	3.3	3.3	3.3	3.3	2.1	3.3	3.3	3.3	0	0	3.3	
PLAY	1.8	1.4	0.5	0	1.4	0	0	0	0	3.0	1.1	2.8	3.0	1.9	3.3	3.0	3.3	0	0	3.3	
Ref No.	IC6201																				
MODE	61	62	63	64	65	66	67	68	69	70	71	72	73	74	75	76	77	78	79	80	
STOP	0	0	0	0	0	3.3	3.3	3.3	0	0	3.3	3.3	3.3	3.3	3.3	3.3	3.3	0.1	0	0	
PLAY	0	0	0	0	0	3.3	3.3	0	0	2.8	3.3	3.3	3.3	3.3	3.3	3.3	3.3	2.9	3.3	3.3	
Ref No.	IC6201																				
MODE	81	82	83	84	85	86	87	88	89	90	91	92	93	94	95	96	97	98	99	100	
STOP	3.3	3.3	3.3	3.4	3.3	3.3	3.3	3.3	3.3	3.3	3.3	0	0	3.3	3.3	3.3	3.3	3.3	3.3	3.3	
PLAY	3.3	3.3	3.3	3.4	0.4	0.4	0	1.2	0.4	0.4	0.3	0	0	3.3	3.3	3.3	3.3	3.3	3.3	3.3	
Ref No.	IC6211								IC6221												
MODE	1	2	3	4	5			1	2	3	4	5	6	7	8						
STOP	0	0	0	3.3	3.3			0	0	0	0	3.0	3.0	0	3.3						
PLAY	0	0	0	3.3	3.3			0	0	0	0	3.0	3.0	0	3.3						
Ref No.	IC6271																				
MODE	1	2	3	4	5																
STOP	2.5	2.5	1.8	0	0																
PLAY	2.5	2.5	1.8	0	0																

Ref No.	IC6301																			
MODE	1	2	3	4	5	6	7	8	9	10	11	12	13	14	15	16	17	18	19	20
STOP	2.2	2.2	2.1	2.2	2.4	2.2	2.2	2.5	2.0	2.0	3.3	3.3	0	3.3	2.0	2.0	2.3	2.3	2.2	3.0
PLAY	2.2	2.0	1.7	1.7	2.1	1.9	1.9	2.2	1.4	1.4	2.6	3.3	0	3.3	3.3	1.3	1.7	1.9	2.2	2.7
Ref No.	IC6301																			
MODE	21	22	23	24	25	26	27	28	29	30	31	32	33	34	35	36	37	38	39	40
STOP	2.5	3.0	2.8	3.0	3.0	3.0	0	3.0	3.0	3.0	3.0	3.1	3.1	3.1	3.1	3.0	3.3	3.0	3.1	3.0
PLAY	2.1	2.6	2.6	2.5	2.5	2.8	0	2.7	2.7	2.6	2.6	2.6	2.7	2.7	2.7	2.7	3.3	2.7	2.8	2.6
Ref No.	IC6301																			
MODE	41	42	43	44	45	46	47	48												
STOP	3.0	3.0	3.1	3.1	3.1	0	3.3	2.0												
PLAY	2.6	2.7	2.8	2.8	2.8	0	3.3	1.9												
Ref No.	IC6501					IC6511					IC6521									
MODE	1	2	3	4	5		1	2	3	4	5		1	2	3	4	5			
STOP	0	1.6	0	1.6	3.2		0	1.6	0	1.6	3.2		0	1.6	0	1.6	3.2			
PLAY	0	1.6	0	1.6	3.2		0	1.6	0	1.6	3.2		0	1.6	0	1.6	3.2			
Ref No.	IC6531					IC6541														
MODE	1	2	3	4	5		1	2	3	4	5	6	7	8						
STOP	0	1.6	0	1.6	3.2		1.5	1.5	1.5	0	1.5	3.2	3.2	3.2						
PLAY	0	1.6	0	1.6	3.2		1.5	1.5	1.5	0	1.5	3.2	3.2	3.2						
Ref No.	IC6551					IC6561														
MODE	1	2	3	4	5		1	2	3	4	5									
STOP	1.5	1.5	1.6	0	1.4	0	0	3.2			0	1.6	0	1.6	3.2					
PLAY	1.5	1.5	1.6	0	1.4	0	0	3.2			0	1.6	0	1.6	3.2					
Ref No.	IC6571					IC6581					IC6591									
MODE	1	2	3	4	5		1	2	3	4	5		1	2	3	4	5			
STOP	0	1.6	0	1.6	3.2		0	1.6	0	1.6	3.2		0	1.6	0	1.5	3.2			
PLAY	0	1.6	0	1.6	3.2		0	1.6	0	1.6	3.2		0	1.6	0	1.5	3.2			
Ref No.	IC6801																			
MODE	1	2	3	4	5	6	7	8	9	10	11	12	13	14	15	16	17	18	19	20
STOP	3.4	2.5	1.6	0	0	3.3	0	0	3.1	3.0	0	0	3.4	3.1	3.4	0	3.3	3.4	0	0
PLAY	3.4	2.5	1.5	0	0	3.3	0	0	2.7	2.7	0	0	0	2.7	3.4	0	3.3	3.4	0	0
Ref No.	IC6801																			
MODE	21	22	23	24	25	26	27	28	29	30	31	32	33	34	35	36	37	38	39	40
STOP	3.1	0	3.1	3.4	3.4	3.1	3.2	2.1	3.3	2.5	3.2	1.7	1.6	0	3.3	3.4	3.3	0	3.3	3.4
PLAY	2.8	0	2.8	3.4	3.4	2.8	2.2	1.6	2.6	2.5	2.0	1.7	1.6	0	1.7	3.4	3.3	0	0.8	3.4
Ref No.	IC6801																			
MODE	41	42	43	44	45	46	47	48	49	50	51	52	53	54	55	56	57	58	59	60
STOP	3.1	3.3	3.3	0	0	3.4	3.3	0	0	0	1.6	0	1.7	1.7	0	2.5	0	0	3.4	1.6
PLAY	0.6	3.3	3.3	0	0	3.4	0.8	0	0	0	1.6	0	1.7	1.7	0	2.5	0	0	3.4	1.6
Ref No.	IC6801																			
MODE	61	62	63	64	65	66	67	68	69	70	71	72	73	74	75	76	77	78	79	80
STOP	3.4	0	0	0	3.4	0	0	0	0	0	3.4	3.4	0	0	0	0	0	3.4	0	0
PLAY	3.4	0	0	0	3.4	0	0	0	0	0	3.4	0	3.3	3.3	0	0	0	3.4	1.4	0
Ref No.	Q2001			Q3221			Q3226			Q3231			Q3236							
MODE	E	C	B		E	C	B		E	C	B		E	C	B		E	C	B	
STOP	1.5	2.1	4.8		1.1	0.5	0		1.0	0.4	0		1.5	0.8	0		1.5	0.8	0	
PLAY	1.5	2.1	4.8		1.1	0.5	0		1.2	0.6	0		1.5	0.8	0		1.5	0.8	0	
Ref No.	Q3761			Q3766			Q3771			Q5211			Q5215							
MODE	E	C	B		E	C	B		E	C	B		1	2	3		1	2	3	
STOP	1.3	0.6	0		1.3	0.6	0		1.2	0.4	0		4.3	4.8	1.7		4.4	4.8	1.1	
PLAY	1.3	0.6	0		1.3	0.6	0		1.4	0.6	0		3.2	3.8	2.2		4.4	4.8	1.1	
Ref No.	Q5261			Q5262			Q5263			Q5264			Q5271							
MODE	E	C	B		E	C	B		E	C	B		E	C	B		1	2	3	
STOP	1.1	1.8	4.8		1.1	1.8	4.8		1.6	0.9	0		0.5	1.1	4.8		0	3.3	0	
PLAY	1.1	1.8	4.8		1.1	1.8	4.8		1.8	1.1	0		0.3	1.1	4.8		0	3.3	0	
Ref No.	Q6215																			
MODE	E	C	B																	
STOP	0	0	3.2																	
PLAY	0	0	3.2																	
Ref No.	QR5221			QR5241																
MODE	1	2	3		1	2	3													
STOP	3.3	3.3	0.4		3.3	3.3	0													
PLAY	3.3	0.1	3.3		3.3	0.1	3.3													

Mother P.C.B.

Ref No.	IC1121																			
MODE	1	2	3	4	5	6	7	8	9	10	11	12	13	14	15	16	17	18	19	20
STOP	2.3	0	2.4	2.4	1.8	1.3	0	0.6	3.0	2.4	1.9	5.0	3.4	3.5	4.1	2.0	0	0	4.0	4.9
PLAY	2.3	0	2.4	2.4	1.8	1.3	0	0.6	3.0	2.4	1.9	5.0	3.4	3.5	4.1	1.8	0	0	4.0	4.9
Ref No.	IC1121																			
MODE	21	22																		
STOP	4.9	5.0																		
PLAY	4.9	5.0																		
Ref No.	IC3531																			
MODE	1	2	3	4	5	6	7	8	9	10	11	12	13	14	15	16	17	18	19	20
STOP	2.1	0	2.4	4.9	2.1	4.9	2.1	4.9	2.0	0	2.0	2.0	0	2.4	4.9	2.1	1.6	0	2.0	1.7
PLAY	2.1	0	2.4	4.9	2.1	4.9	2.1	4.9	2.0	0	2.0	2.0	0	2.4	4.9	2.3	1.6	0	2.3	1.7
Ref No.	IC3531																			
MODE	21	22																		
STOP	0	0																		
PLAY	0	0																		
Ref No.	IC3581																			
MODE	1	2	3	4	5	6	7	8	9	10	11	12	13	14	15	16				
STOP	0	0.6	0	0.9	0	0	0.9	0	2.7	2.8	0	2.7	2.8	1.9	2.0	4.9				
PLAY	0	0.6	0	0.9	0	0	0.9	0	2.7	2.8	0	2.7	2.8	2.2	2.2	4.9				
Ref No.	IC4301								IC4302											
MODE	1	2	3	4	5	6	7	8	1	2	3	4	5	6	7	8				
STOP	0	0	0	-8.2	0	0	0	8.4	0	0	0	-8.2	0	0	0	8.4				
PLAY	0	0	0	-8.2	0	0	0	8.4	0	0	0	-8.2	0	0	0	8.4				
Ref No.	IC4321								IC4341											
MODE	1	2	3	4	5	6	7	8	1	2	3	4	5	6	7	8				
STOP	0	0	0	-8.2	0	0	0	8.4	0	0	0	-8.2	0	0	0	8.4				
PLAY	0	0	0	-8.2	0	0	0	8.4	0	0	0	-8.2	0	0	0	8.4				
Ref No.	IC4361								IC4701											
MODE	1	2	3	4	5	6	7	8	1	2	3	4	5	6	7	8				
STOP	0	0	0	-8.2	0	0	0	8.4	0	0	0	-8.8	0	0	0	9.0				
PLAY	0	0	0	-8.2	0	0	0	8.4	0	0	0	-8.8	0	0	0	9.0				
Ref No.	IC4751					IC4752					IC4781									
MODE	1	2	3	4	5	1	2	3	4	5	1	2	3							
STOP	5.0	1.7	0	2.5	5.0	5.0	1.7	0	2.5	5.0	0	5.0	1.7							
PLAY	5.0	1.7	0	2.5	5.0	5.0	1.7	0	2.5	5.0	0	5.0	1.7							
Ref No.	IC4901																			
MODE	1	2	3	4	5															
STOP	10.2	3.1	9.1	0	0															
PLAY	10.2	3.1	9.1	0	0															
Ref No.	IC6001																			
MODE	1	2	3	4	5	6	7	8	9	10	11	12	13	14	15	16	17	18	19	20
STOP	3.2	0	3.2	3.2	1.0	2.8	3.0	3.2	1.6	1.6	0	0	3.2	0	0	3.2	3.2	0.7	3.2	3.2
PLAY	3.2	0	3.0	1.0	2.8	3.0	0	3.2	1.6	1.6	0	0	3.2	0	0	3.2	3.2	0.7	3.2	3.2
Ref No.	IC6001																			
MODE	21	22	23	24	25	26	27	28	29	30	31	32	33	34	35	36	37	38	39	40
STOP	0	0	1.5	3.2	0	3.2	1.6	1.6	3.1	3.1	3.1	0	3.2	3.3	3.2	1.7	3.2	3.3	3.0	3.1
PLAY	0	0	1.5	1.5	0	3.2	1.6	1.6	3.1	3.1	3.1	0.2	3.2	3.3	3.2	0	3.2	3.3	3.0	3.1
Ref No.	IC6001																			
MODE	41	42	43	44	45	46	47	48	49	50	51	52	53	54	55	56	57	58	59	60
STOP	2.9	3.2	3.2	0	0	0	3.1	3.1	3.1	2.9	-27.2	-27.2	-27.2	-27.2	-27.0	-27.0	-27.0	-27.0	-27.0	-27.0
PLAY	2.9	3.2	3.2	0	0	0	3.1	3.1	3.1	2.9	-27.6	-27.6	-27.6	-27.6	-27.4	-27.4	-27.4	-27.4	-27.4	-27.4
Ref No.	IC6001																			
MODE	61	62	63	64	65	66	67	68	69	70	71	72	73	74	75	76	77	78	79	80
STOP	-26.9	-26.9	-27.1	-24.0	-29.3	-8.7	-16.2	-16.2	-26.6	-18.7	-18.7	-23.9	-26.9	-19.2	-16.7	-19.2	-26.9	-26.9	-19.2	-19.2
PLAY	-27.4	-27.4	-27.4	-27.4	-29.8	-8.9	-14.0	-19.0	-24.4	-21.6	-21.6	-24.4	-27.3	-22.1	-17.1	-19.6	-27.0	-27.0	-22.0	-22.0
Ref No.	IC6001																			
MODE	81	82	83	84	85	86	87	88	89	90	91	92	93	94	95	96	97	98	99	100
STOP	-21.8	-24.2	-26.9	-16.7	-16.7	-24.4	-29.4	-29.9	-19.2	-16.7	-21.7	-19.2	-24.4	-16.6	-26.8	-11.7	-16.7	-16.7	-29.4	-29.5
PLAY	-19.5	-27.0	-27.0	-17.0	-20.0	-24.6	-29.9	-27.3	-22.0	-22.1	-22.1	-17.0	-24.8	-19.6	-27.4	-9.5	-17.0	-19.5	-29.9	-30.0
Ref No.	IC6002																			
MODE	1	2	3	4																
STOP	0	0	3.2	3.2																
PLAY	0	0	3.2	3.2																
Ref No.	IC6004																			
MODE	1	2	3	4	5	6	7	8	9	10	11	12	13	14	15	16				
STOP	0	0	0	0	3.5	3.5	3.4	0	2.0	0	3.1	0	0	2.9	2.9	3.2				
PLAY	0	0	0	0	3.5	3.5	3.4	0	2.0	0	3.1	0	0	2.9	2.9	3.2				

DVD-S1200

Ref No.	Q1141			Q1142			Q3501			Q3511			Q3551		
MODE	1	2	3	1	2	3	1	2	3	1	2	3	1	2	3
STOP	5.0	4.4	3.6	4.4	4.1	5.0	1.6	1.1	0	0.7	0	0	0.4	1.1	4.9
PLAY	5.0	4.4	3.6	4.4	4.1	5.0	1.8	1.1	0	0.7	0	0	0.6	1.3	4.9
Ref No.	Q3552			Q3553			Q3561			Q3562			Q3563		
MODE	1	2	3	1	2	3	1	2	3	1	2	3	1	2	3
STOP	1.3	0.4	0	0.5	1.3	4.9	0.8	1.5	4.9	1.5	0.8	0	0.9	1.5	4.9
PLAY	1.3	0.6	0	0.7	1.3	4.9	0	1.5	4.9	1.5	0.8	0	0.9	1.5	4.9
Ref No.	Q3571			Q3572			Q3573			Q4381			Q4501		
MODE	1	2	3	1	2	3	1	2	3	E	C	B	1	2	3
STOP	0.8	1.5	4.9	1.5	0.8	0	0.9	1.5	4.9	0	0	0	0	0.7	0
PLAY	0.8	1.5	4.9	1.5	0.8	0	0.9	1.5	4.9	0	0	0	0	-4.3	0
Ref No.	Q4511			Q4521			Q4531			Q4541			Q4551		
MODE	1	2	3	1	2	3	1	2	3	1	2	3	1	2	3
STOP	0	0.7	0	0	0.7	0	0	0.7	0	0	0.7	0	0	0.7	0
PLAY	0	-4.3	0	0	-4.3	0	0	-4.3	0	0	-4.3	0	0	-4.3	0
Ref No.	Q4561			Q4571			Q4591			Q4901			Q4911		
MODE	1	2	3	1	2	3	E	C	B	1	2	3	1	2	3
STOP	0	0.7	0	0	0.7	0	0	0	0	9.1	8.4	9.0	-9.4	-10.3	-8.8
PLAY	0	-4.3	0	0	-4.3	0	0	0	4.1	9.1	8.4	9.0	-9.4	-10.3	-8.8
Ref No.	Q4912			Q4913			Q4921			Q4931			Q6001		
MODE	1	2	3	1	2	3	1	2	3	S	G	D	E	C	B
STOP	-0.6	-9.5	0	-9.5	-8.8	-9.5	8.4	8.9	9.0	-8.3	-8.8	-8.8	-21.5	-22.2	-22.2
PLAY	-0.6	-9.5	0	-9.5	-8.8	-9.5	8.4	8.9	9.0	-8.3	-8.8	-8.8	-22.0	-22.7	-22.8
Ref No.	Q6002			Q6071											
MODE	E	C	B	E	C	B									
STOP	5.0	5.0	2.8	3.9	4.9	3.2									
PLAY	5.0	5.0	2.8	3.9	4.9	3.2									

Ref No.	QR3521			QR4201			QR4202			QR4381			QR4382		
MODE	E	C	B	E	C	B	E	C	B	E	C	B	E	C	B
STOP	0	3.1	0	9.0	9.0	0	0	0	9.0	0	3.3	0	0	0	0
PLAY	0	3.1	0	9.0	9.0	0	0	0	9.0	0	0	0	0	0	0
Ref No.	QR4591			QR4593			QR4594			QR6001			QR6003		
MODE	E	C	B	E	C	B	E	C	B	E	C	B	E	C	B
STOP	0	3.3	0	0	0	2.0	2.0	0	1.3	3.3	2.8	3.2	0	0	3.6
PLAY	0	0	4.1	0	4.1	0.1	0.1	0	4.3	3.3	2.8	3.2	0	0	3.6
Ref No.	QR6004														
MODE	E	C	B												
STOP	0	2.7	0												
PLAY	0	2.7	0												

Front 2 P.C.B. and Front 3 P.C.B.

Ref No.	IC4731																
MODE	1	2	3	4	5	6	7	8									
STOP	0	0	0	-8.8	0	0	0	9.0									
PLAY	0	0	0	-8.8	0	0	0	9.0									
Ref No.	IC6101																
MODE	1	2	3														
STOP	3.2	3.2	0														
PLAY	3.2	3.2	0														

Ref No.	Q4721			Q4722												
MODE	E	C	B	E	C	B										
STOP	0	0.7	0	0	0.7	0										
PLAY	0	-4.3	0	0	-4.3	0										


Scart P.C.B.

Ref No.	IC3801																			
MODE	1	2	3	4	5	6	7	8	9	10	11	12	13	14	15	16	17	18	19	20
STOP	3.0	12.0	9.8	12.0	4.9	5.6	5.6	0	0	5.6	11.3	5.6	5.2	5.6	3.8	5.6	0	0	0	5.6
PLAY	3.5	12.0	9.8	12.0	9.3	5.6	5.6	5.6	0	5.6	11.3	5.6	5.2	5.6	3.8	5.6	0	0	0	5.6
Ref No.	IC3801																			
MODE	21	22	23	24	25	26	27	28	29	30	31	32	33	34						
STOP	5.7	5.7	5.6	5.6	5.7	5.7	5.6	4.1	4.4	4.4	2.8	3.1	3.1	0						
PLAY	5.7	5.7	5.6	5.6	5.7	5.7	5.6	4.1	9.0	9.0	2.8	3.1	3.1	0						
Ref No.	IC3851																			
MODE	1	2	3	4	5	6	7	8	9	10	11	12	13	14	15	16				
STOP	0	0.7	0.8	0.8	0.8	0	0	0	5.2	5.2	5.2	0.7	0	0	0	5.2				
PLAY	0	0.7	0.8	0.8	0.8	0	0	0	5.2	5.2	5.2	0.7	0	0	0	5.2				
Ref No.	IC3852																			
MODE	1	2	3	4	5	6	7	8	9	10	11	12	13	14	15	16				
STOP	0	0.7	0.8	0.8	0.8	0	0	0	5.0	5.0	5.0	0.7	0	0	0	5.2				
PLAY	0	0.7	0.8	0.8	0.8	0	0	0	5.0	5.0	5.0	0.7	0	0	0	5.2				
Ref No.	IC3853																			
MODE	1	2	3	4	5	6	7	8	9	10	11	12	13	14	15	16				
STOP	3.8	0	0	0	0	0	0.8	0	2.9	3.1	0	2.9	3.1	2.9	3.1	5.2				
PLAY	3.8	0	0	0	0	0	0.8	0	2.9	3.1	0	2.9	3.1	2.9	3.1	5.2				
Ref No.	IC3891																			
MODE	1	2	3	4	5															
STOP	12.5	12.5	12.0	0	0															
PLAY	12.5	12.5	12.0	0	0															
Ref No.	Q3831										Q3832									
MODE	1	2	3	4	5	6	1	2	3	4	5	6								
STOP	0	5.0	5.2	0	5.2	5.2	0	5.0	0	0	0	0								
PLAY	0	5.0	5.2	0	5.2	5.2	0	5.0	0	0	0	0								

PARTS LIST

■ ELECTRICAL PARTS

■ WARNING

Components having special characteristics are marked  and must be replaced with parts having specifications equal to those originally installed.

ABBREVIATIONS IN THIS LIST ARE AS FOLLOWS:

C.A.EL.CHP	: CHIP ALUMI.ELECTROLYTIC CAP	L.EMIT	: LIGHT EMITTING MODULE
C.CE	: CERAMIC CAP	LED.DSPLY	: LED DISPLAY
C.CE.ARRAY	: CERAMIC CAP ARRAY	LED.INFRD	: LED,INFRARED
C.CE.CHP	: CHIP CERAMIC CAP	MODUL.RF	: MODULATOR,RF
C.CE.ML	: MULTILAYER CERAMIC CAP	PHOT.CPL	: PHOTO COUPLER
C.CE.M.CHP	: CHIP MULTILAYER CERAMIC CAP	PHOT.INTR	: PHOTO INTERRUPTER
C.CE.SAFTY	: RECOGNIZED CERAMIC CAP	PHOT.RFLCT	: PHOTO REFLECTOR
C.CE.TUBLR	: CERAMIC TUBULAR CAP	PIN.TEST	: PIN,TEST POINT
C.CE.SMI	: SEMI CONDUCTIVE CERAMIC CAP	PLST.RIVET	: PLASTIC RIVET
C.EL	: ELECTROLYTIC CAP	R.ARRAY	: RESISTOR ARRAY
C.MICA	: MICA CAP	R.CAR.	: CARBON RESISTOR
C.ML.FLM	: MULTILAYER FILM CAP	R.CAR.CHP	: CHIP RESISTOR
C.MP	: METALLIZED PAPER CAP	R.CAR.FP	: FLAME PROOF CARBON RESISTOR
C.MYLAR	: MYLAR FILM CAP	R.FUS	: FUSABLE RESISTOR
C.MYLAR.ML	: MULTILAYER MYLAR FILM CAP	R.MTL.CHP	: CHIP METAL FILM RESISTOR
C.PAPER	: PAPER CAPACITOR	R.MTL.FLM	: METAL FILM RESISTOR
C.PLS	: POLYSTYRENE FILM CAP	R.MTL.OXD	: METAL OXIDE FILM RESISTOR
C.POL	: POLYESTER FILM CAP	R.MTL.PLAT	: METAL PLATE RESISTOR
C.POLY	: POLYETHYLENE FILM CAP	RSNR.CE	: CERAMIC RESONATOR
C.PP	: POLYPROPYLENE FILM CAP	RSNR.CRYS	: CRYSTAL RESONATOR
C.TNTL	: TANTALUM CAP	R.TW.CEM	: TWIN CEMENT FIXED RESISTOR
C.TNTL.CHP	: CHIP TANTALUM CAP	R.WW	: WIRE WOUND RESISTOR
C.TRIM	: TRIMMER CAP	SCR.BND.HD	: BIND HEAD B-TITE SCREW
CN	: CONNECTOR	SCR.BW.HD	: BW HEAD TAPPING SCREW
CN.BS.PIN	: CONNECTOR,BASE PIN	SCR.CUP	: CUP TITE SCREW
CN.CANNON	: CONNECTOR,CANNON	SCR.TERM	: SCREW TERMINAL
CN.DIN	: CONNECTOR,DIN	SCR.TR	: SCREW,TRANSISTOR
CN.FLAT	: CONNECTOR,FLAT CABLE	SUPRT.PCB	: SUPPORT,P.C.B.
CN.POST	: CONNECTOR,BASE POST	SURG.PRTCT	: SURGE PROTECTOR
COIL.MX.AM	: COIL,AM MIX	SW.TACT	: TACT SWITCH
COIL.AT.FM	: COIL,FM ANTENNA	SW.LEAF	: LEAF SWITCH
COIL.DT.FM	: COIL,FM DETECT	SW.LEVER	: LEVER SWITCH
COIL.MX.FM	: COIL,FM MIX	SW.MICRO	: MICRO SWITCH
COIL.OUTPT	: OUTPUT COIL	SW.PUSH	: PUSH SWITCH
DIOD.ARRAY	: DIODE ARRAY	SW.RT.ENC	: ROTARY ENCODER
DIODE.BRG	: DIODE BRIDGE	SW.RT.MTR	: ROTARY SWITCH WITH MOTOR
DIODE.CHP	: CHIP DIODE	SW.RT	: ROTARY SWITCH
DIODE.VAR	: VARACTOR DIODE	SW.SLIDE	: SLIDE SWITCH
DIOD.Z.CHP	: CHIP ZENER DIODE	TERM.SP	: SPEAKER TERMINAL
DIODE.ZENR	: ZENER DIODE	TERM.WRAP	: WRAPPING TERMINAL
DSCR.CE	: CERAMIC DISCRIMINATOR	THRMST.CHP	: CHIP THERMISTOR
FER.BEAD	: FERRITE BEADS	TR.CHP	: CHIP TRANSISTOR
FER.CORE	: FERRITE CORE	TR.DGT	: DIGITAL TRANSISTOR
FET.CHP	: CHIP FET	TR.DGT.CHP	: CHIP DIGITAL TRANSISTOR
FL.DSPLY	: FLUORESCENT DISPLAY	TRANS	: TRANSFORMER
FLTR.CE	: CERAMIC FILTER	TRANS.PULS	: PULSE TRANSFORMER
FLTR.COMB	: COMB FILTER MODULE	TRANS.PWR	: POWER TRANSFORMER ASS'Y
FLTR.LC.RF	: LC FILTER,EMI	TUNER.AM	: TUNER PACK,AM
GND.MTL	: GROUND PLATE	TUNER.FM	: TUNER PACK,FM
GND.TERM	: GROUND TERMINAL	TUNER.PK	: FRONT-END TUNER PACK
HOLDER.FUS	: FUSE HOLDER	VR	: ROTARY POTENTIOMETER
IC.PRTCT	: IC PROTECTOR	VR.MTR	: POTENTIOMETER WITH MOTOR
JUMPER.CN	: JUMPER CONNECTOR	VR.SW	: POTENTIOMETER WITH ROTARY SW
JUMPER.TST	: JUMPER,TEST POINT	VR.SLIDE	: SLIDE POTENTIOMETER
L.DTCT	: LIGHT DETECTING MODULE	VR.TRIM	: TRIMMER POTENTIOMETER

P. C. B. MONO

Schm Ref.	PART NO.	Description	Remarks	Schm Ref.	PART NO.	Description	Remarks
	AAx27670	P. C. B.	TERMINAL		C2047	Fi544100	C. CE 0.01uF 16V
	AAx28040	P. C. B.	SCART		C2048	FX612820	C. CE 0.015uF 16V CH
	AAx28050	P. C. B.	FRONT 1, 2, 3		C2050	AAx26930	C. CE 0.033uF 16V
	AAx28060	P. C. B.	MOTHER		C2051	AAx26980	C. CE 68pF 50V
	AAx28070	P. C. B.	MODULE		C2052, 53	FX612220	C. CE 0.1uF 16V CH
	AAx28080	P. C. B.	POWER SUPPLY		C2054	FX612480	C. CE 680pF 50V CH
	AAx18420	C. POL	0.01uF 250V		C2055	NX702560	C. CE 6800pF 50V CH
	NX702590	C. CE	VCK0286B471		C2056, 57	FX612210	C. CE 0.1uF 16V CH
	NX702600	C. CE	VCK0286E102		C2058	NX702510	C. CE 1000pF 50V CH
	FX612650	C. EL	ECEC2GG680		C2059	AAx26990	C. CE 820pF 50V
	AAx18400	C. CE	0.01uF 250V		C2060	NX702510	C. CE 1000pF 50V CH
	NX704000	C. CE	1800pF 50V		C2061, 62	FX612430	C. CE 330pF 50V CH
	NX704190	C. POL	0.022uF 50V		C2063-65	NX702510	C. CE 1000pF 50V CH
	FX612840	C. POL	0.1uF 50V		C2066-68	AAx26960	C. CE 4700pF 50V
	AAx15540	C. POL	0.068uF 50V		C2501	NX702100	C. EL 100uF 6.3V
	FX612840	C. POL	0.1uF 50V		C2502	FX611790	C. EL 330uF 6.3VCH
	NX703940	C. EL	47uF 6.3V		C2503	AAx15520	C. EL 100uF 16V
	AAx06090	C. POL	0.1uF 50V		C2504-08	FX612220	C. CE 0.1uF 16V CH
	NX704190	C. POL	0.022uF 50V		C2511, 12	FX612220	C. CE 0.1uF 16V CH
	AAx05680	C. EL	1800uF 10V		C2601, 02	FX612220	C. CE 0.1uF 16V CH
	AAx26450	C. EL	1000uF 16V		C3001, 02	FX611790	C. EL 330uF 6.3VCH
	NX701990	C. EL	220uF 10V		C3003-07	FX612220	C. CE 0.1uF 16V CH
	AAx26450	C. EL	1000uF 16V		C3008, 09	AAx15600	C. CE 1.0uF 10V
	NX702500	C. CE	10pF 50V CH		C3010-35	FX612220	C. CE 0.1uF 16V CH
	AAx16210	C. EL	1000uF 10V		C3038, 39	FX611980	C. CE 1uF 10V CH
	FX612220	C. CE	0.1uF 16V CH		C3040, 41	FX612220	C. CE 0.1uF 16V CH
	Fi544100	C. CE	0.01uF 16V		C3051-53	FX612220	C. CE 0.1uF 16V CH
	AAx16200	C. EL	1000uF 10V		C3054	FX612380	C. CE 22pF 50V CH
	AAx05620	C. CE	0.039uF 16V CH		C3061-67	FX612220	C. CE 0.1uF 16V CH
	FX612420	C. CE	33pF 50V CH		C3091	FX612210	C. CE 0.1uF 16V CH
	FX611470	C. EL	1000uF 6.3V		C3092	AAx26900	C. CE 1uF 6.3V
	FX612310	C. CE	0.01uF 50V CH		C3093	FX611980	C. CE 1uF 10V CH
	FX612250	C. CE	0.022uF 16V CH		C3094	FX612220	C. CE 0.1uF 16V CH
	AAx05220	C. EL	220uF 35V		C3095	FX611880	C. EL 33uF 6.3V
	AAx05220	C. EL	220uF 35V		C3096	FX611980	C. CE 1uF 10V CH
	AAx26420	C. EL	330uF 6.3V		C3201	NX702100	C. EL 100uF 6.3V
	FX612400	C. CE	2200pF 50V CH		C3202-06	FX612220	C. CE 0.1uF 16V CH
	FX612050	C. CE	100pF 50V CH		C3207	FX612210	C. CE 0.1uF 16V CH
	AAx05540	C. EL	47uF 6.3V		C3208, 09	FX612220	C. CE 0.1uF 16V CH
	FX611470	C. EL	1000uF 6.3V		C3210	FX612210	C. CE 0.1uF 16V CH
	AAx05290	C. EL	270uF 25V		C3211, 12	FX612220	C. CE 0.1uF 16V CH
	FX612750	C. EL	220uF 25V		C3220	NX702100	C. EL 100uF 6.3V
	AAx05280	C. EL	220uF 16V		C3221	FX612220	C. CE 0.1uF 16V CH
	AAx15530	C. CE	0.1uF 25V		C3226	FX612220	C. CE 0.1uF 16V CH
	AAx16230	C. EL	56uF 50V		C3231	FX612220	C. CE 0.1uF 16V CH
	AAx16220	C. EL	180uF 10V		C3236	FX612220	C. CE 0.1uF 16V CH
	NX702100	C. EL	100uF 6.3V		C3241	FX612220	C. CE 0.1uF 16V CH
	FX612220	C. CE	0.1uF 16V CH		C3251	NX702100	C. EL 100uF 6.3V
	NX702100	C. EL	100uF 6.3V		C3252	FX612220	C. CE 0.1uF 16V CH
	FX612220	C. CE	0.1uF 16V CH		C3253	AAx26510	C. EL 10uF 10V
	FX612210	C. CE	0.1uF 16V CH		C3254	FX612220	C. CE 0.1uF 16V CH
	FX612210	C. CE	0.1uF 16V CH		C3500	AAx26430	C. EL 470uF 6.3V
	AAx05620	C. CE	0.039uF 16V CH		C3501	FX611480	C. EL 220uF 6.3V
	AAx15620	C. CE	8200pF 50V		C3502, 03	FX612330	C. CE 0.01uF 50V CH
	FX612210	C. CE	0.1uF 16V CH		C3511	FX612330	C. CE 0.01uF 50V CH
	FX612210	C. CE	0.1uF 16V CH		C3531	FX611480	C. EL 220uF 6.3V
	Fi544100	C. CE	0.01uF 16V		C3532	FX612330	C. CE 0.01uF 50V CH
	NX702510	C. CE	1000pF 50V CH		C3533	NX702060	C. EL 47uF 16V
	FX612460	C. CE	56pF 50V CH		C3534	FX612310	C. CE 0.01uF 50V CH
	AAx26970	C. CE	560pF 50V		C3535	FX611480	C. EL 220uF 6.3V
	NX702500	C. CE	10pF 50V CH		C3536	FX612330	C. CE 0.01uF 50V CH
	FG212390	C. CE	390pF 50V		C3537	FX612640	C. EL 10uF 16V
	NX702510	C. CE	1000pF 50V CH		C3538	FX611470	C. EL 1000uF 6.3V

* New Parts

* New Parts

DVD-S1200

Schm Ref.	PART NO.	Description	Remarks
* C3539	FX612640	C.EL 10uF 16V	ECEA1CKA100
C3540	FX611470	C.EL 1000uF 6.3V	ECA0JM102
C3542	FX612310	C.CE 0.01uF 50V CH	ECUX1H103KBV
C3543, 44	FX612330	C.CE 0.01uF 50V CH	ECUX1H103ZFV
C3551	FX611480	C.EL 220uF 6.3V	ECA0JM221
C3552-54	FX612330	C.CE 0.01uF 50V CH	ECUX1H103ZFV
C3561, 62	FX612330	C.CE 0.01uF 50V CH	ECUX1H103ZFV
C3571, 72	FX612330	C.CE 0.01uF 50V CH	ECUX1H103ZFV
C3758, 59	FX612220	C.CE 0.1uF 16V CH	ECUX1C104ZFV
C3801-03	NX702060	C.EL 47uF 16V	ECEA1CKA470
C3804	NX702070	C.EL 1uF 50V	ECEA1HKA010
* C3805	NX702040	C.EL 22uF 16V	ECEA1CKA220
C3806-10	NX702070	C.EL 1uF 50V	ECEA1HKA010
C3811-14	FX611600	C.EL 220uF 6.3V	ECEA0JKA221
C3815	NX702060	C.EL 47uF 16V	ECEA1CKA470
C3816-19	AAK05170	C.EL 330uF 6.3V	ECEA0JKA331
C3820	NX702030	C.EL 100uF 16V	ECEA1CKA101
C3821	FX612220	C.CE 0.1uF 16V CH	ECUX1C104ZFV
C3851	FX611600	C.EL 220uF 6.3V	ECEA0JKA221
C3852	FX612220	C.CE 0.1uF 16V CH	ECUX1C104ZFV
C3853-56	NX702060	C.EL 47uF 16V	ECEA1CKA470
C3857	FX612220	C.CE 0.1uF 16V CH	ECUX1C104ZFV
C3858-60	AAK05190	C.EL 47uF 6.3V	ECEA1AKN470
C3861	FX612220	C.CE 0.1uF 16V CH	ECUX1C104ZFV
C3862	FX611590	C.EL 100uF 6.3V	ECEA0JKA101
* C3863	NX702040	C.EL 22uF 16V	ECEA1CKA220
C3864	FX611590	C.EL 100uF 6.3V	ECEA0JKA101
* C3865	NX702040	C.EL 22uF 16V	ECEA1CKA220
C3866	FX611590	C.EL 100uF 6.3V	ECEA0JKA101
* C3867	NX702040	C.EL 22uF 16V	ECEA1CKA220
C3871	NX702500	C.CE 10pF 50V CH	ECUX1H101JCV
C3872	AAK05660	C.CE 470pF 50V CH	ECUX1H471JCV
C3873	NX702500	C.CE 10pF 50V CH	ECUX1H101JCV
C3874	AAK05660	C.CE 470pF 50V CH	ECUX1H471JCV
C3881-84	AAK05660	C.CE 470pF 50V CH	ECUX1H471JCV
C3891	NX702030	C.EL 100uF 16V	ECEA1CKA101
C3892, 93	FX612220	C.CE 0.1uF 16V CH	ECUX1C104ZFV
C4201	FX612220	C.CE 0.1uF 16V CH	ECUX1C104ZFV
* C4202	AAK26510	C.EL 10uF 10V	RCST1AY106RC
C4210	FX612660	C.EL 1000uF 6.3V	ECEVOJA102
* C4211	AAK26510	C.EL 10uF 10V	RCST1AY106RC
C4212	FX612220	C.CE 0.1uF 16V CH	ECUX1C104ZFV
* C4213	AAK26510	C.EL 10uF 10V	RCST1AY106RC
C4214	FX612220	C.CE 0.1uF 16V CH	ECUX1C104ZFV
* C4215	AAK26510	C.EL 10uF 10V	RCST1AY106RC
C4216	FX612220	C.CE 0.1uF 16V CH	ECUX1C104ZFV
* C4217, 18	AAK26510	C.EL 10uF 10V	RCST1AY106RC
C4219	FX612220	C.CE 0.1uF 16V CH	ECUX1C104ZFV
* C4220	AAK26500	C.EL 22uF 10V	RCST1AX226RC
C4221-24	FX612220	C.CE 0.1uF 16V CH	ECUX1C104ZFV
* C4225	AAK26510	C.EL 10uF 10V	RCST1AY106RC
* C4227	AAK26510	C.EL 10uF 10V	RCST1AY106RC
C4229	FX612220	C.CE 0.1uF 16V CH	ECUX1C104ZFV
* C4230	AAK26500	C.EL 22uF 10V	RCST1AX226RC
C4231-34	FX612220	C.CE 0.1uF 16V CH	ECUX1C104ZFV
* C4235	AAK26510	C.EL 10uF 10V	RCST1AY106RC
* C4237	AAK26510	C.EL 10uF 10V	RCST1AY106RC
C4239	FX612220	C.CE 0.1uF 16V CH	ECUX1C104ZFV
* C4240	AAK26500	C.EL 22uF 10V	RCST1AX226RC
C4241-44	FX612220	C.CE 0.1uF 16V CH	ECUX1C104ZFV
* C4245	AAK26510	C.EL 10uF 10V	RCST1AY106RC
* C4247	AAK26510	C.EL 10uF 10V	RCST1AY106RC
C4249-53	FX612220	C.CE 0.1uF 16V CH	ECUX1C104ZFV

* New Parts

Schm Ref.	PART NO.	Description	Remarks
C4261	FX612220	C.CE 0.1uF 16V CH	ECUX1C104ZFV
C4301	NX703940	C.EL 47uF 6.3V	VCEA0JAE470
* C4302	FX612540	C.POL 1000pF 50V	ECHR1H102JZ
* C4303	FX612530	C.POL 100pF 50V	ECHR1H101JZ
* C4304	AAK26470	C.EL 1uF 50V	ECEA1HKN010
C4305	NX703940	C.EL 47uF 6.3V	VCEA0JAE470
C4306, 07	NX704170	C.POL 0.022uF 50V	ECHR1H223JZ
C4308, 09	AAK26530	C.EL 100uF 25V	VCEA1EAE101
* C4310	FX612530	C.POL 100pF 50V	ECHR1H101JZ
* C4311	NX703940	C.EL 47uF 6.3V	VCEA0JAE470
* C4312	FX612540	C.POL 1000pF 50V	ECHR1H102JZ
* C4313, 14	FX612530	C.POL 100pF 50V	ECHR1H101JZ
C4315	NX703940	C.EL 47uF 6.3V	VCEA0JAE470
C4316	FX612220	C.CE 0.1uF 16V CH	ECUX1C104ZFV
* C4317	AAK26440	C.EL 1000uF 10V	ECA1APX102
* C4318	AAK26520	C.EL 100uF 25V	VCEA1CAE101
C4319	NX704170	C.POL 0.022uF 50V	ECHR1H223JZ
C4320	FX612220	C.CE 0.1uF 16V CH	ECUX1C104ZFV
C4321	FX611550	C.EL 47uF 16V	ECA1CAK470X
* C4322	AAK26890	C.CE 1000pF 50V	ECQB1H102JZ
C4323	FX612050	C.CE 100pF 50V CH	ECUM1H101JCN
C4325	FX611550	C.EL 47uF 16V	ECA1CAK470X
C4331	FX611550	C.EL 47uF 16V	ECA1CAK470X
* C4332	AAK26890	C.CE 1000pF 50V	ECQB1H102JZ
C4333	FX612050	C.CE 100pF 50V CH	ECUM1H101JCN
C4335	FX611550	C.EL 47uF 16V	ECA1CAK470X
C4341	FX611550	C.EL 47uF 16V	ECA1CAK470X
* C4342	AAK26890	C.CE 1000pF 50V	ECQB1H102JZ
C4343	FX612050	C.CE 100pF 50V CH	ECUM1H101JCN
C4345	FX611550	C.EL 47uF 16V	ECA1CAK470X
C4346, 47	FX612220	C.CE 0.1uF 16V CH	ECUX1C104ZFV
C4351	FX611550	C.EL 47uF 16V	ECA1CAK470X
* C4352	AAK26890	C.CE 1000pF 50V	ECQB1H102JZ
C4353	FX612050	C.CE 100pF 50V CH	ECUM1H101JCN
C4355	FX611550	C.EL 47uF 16V	ECA1CAK470X
C4361	FX611550	C.EL 47uF 16V	ECA1CAK470X
* C4362	AAK26890	C.CE 1000pF 50V	ECQB1H102JZ
C4363	FX612050	C.CE 100pF 50V CH	ECUM1H101JCN
C4365	FX611550	C.EL 47uF 16V	ECA1CAK470X
C4366, 67	FX612220	C.CE 0.1uF 16V CH	ECUX1C104ZFV
C4371	FX611550	C.EL 47uF 16V	ECA1CAK470X
C4372	NX702510	C.CE 1000pF 50V CH	ECUX1H102JCV
C4373	NX702500	C.CE 10pF 50V CH	ECUX1H101JCV
* C4376	FX611510	C.EL 47uF 10V	ECA1ANK470X
C4501	NX702510	C.CE 1000pF 50V CH	ECUX1H102JCV
C4511	NX702510	C.CE 1000pF 50V CH	ECUX1H102JCV
C4521	NX702510	C.CE 1000pF 50V CH	ECUX1H102JCV
C4531	NX702510	C.CE 1000pF 50V CH	ECUX1H102JCV
C4541	NX702510	C.CE 1000pF 50V CH	ECUX1H102JCV
C4551	NX702510	C.CE 1000pF 50V CH	ECUX1H102JCV
C4561	NX702510	C.CE 1000pF 50V CH	ECUX1H102JCV
C4571	NX702510	C.CE 1000pF 50V CH	ECUX1H102JCV
C4581, 82	FX612220	C.CE 0.1uF 16V CH	ECUX1C104ZFV
C4584-89	FX612220	C.CE 0.1uF 16V CH	ECUX1C104ZFV
C4592	FX612220	C.CE 0.1uF 16V CH	ECUX1C104ZFV
C4701, 02	FX612220	C.CE 0.1uF 16V CH	ECUX1C104ZFV
* C4731	FX612270	C.CE 0.1uF 25V CH	ECUX1E104ZFV
C4734, 35	FX612330	C.CE 0.01uF 50V CH	ECUX1H103ZFV
* C4736, 37	FX612270	C.CE 0.1uF 25V CH	ECUX1E104ZFV
* C4738, 39	AAK05180	C.EL 100uF 10V	ECEA1AKA101
C4751	FX612220	C.CE 0.1uF 16V CH	ECUX1C104ZFV
C4753	FX612220	C.CE 0.1uF 16V CH	ECUX1C104ZFV
C4755	FX612220	C.CE 0.1uF 16V CH	ECUX1C104ZFV

* New Parts

Schm Ref.	PART NO.	Description	Remarks
* C4758	FX611590	C. EL 100uF 6.3V	ECEA0JKA101
C4761	AA05650	C. CE 270pF 50V CH	ECUX1H271JCV
C4763	FX612220	C. CE 0.1uF 16V CH	ECUX1C104ZVF
C4764	FX611740	C. EL 4.7uF 50V	ECEA1HKA4R7
C4771	FX612220	C. CE 0.1uF 16V CH	ECUX1C104ZVF
* C4772	FX612370	C. CE 150pF 50V CH	ECUX1H151JCV
* C4773	AA026980	C. CE 68pF 50V	ECUX1H680JCV
C4774	FX612220	C. CE 0.1uF 16V CH	ECUX1C104ZVF
C4781	FX611740	C. EL 4.7uF 50V	ECEA1HKA4R7
C4782	FX612220	C. CE 0.1uF 16V CH	ECUX1C104ZVF
* C4901	AA026530	C. EL 100uF 25V	VCEA1EAE101
C4911	FX612750	C. EL 220uF 25V	VCEA1EJC221
* C4912	AA026530	C. EL 100uF 25V	VCEA1EAE101
C4921	NX704170	C. POL 0.022uF 50V	ECHR1H223JZ
C4922	NX703880	C. EL 330uF 10V	ECA1APX331
C4923	NX704170	C. POL 0.022uF 50V	ECHR1H223JZ
C4924	NX703890	C. EL 470uF 10V	ECA1APX471
C4931	NX704170	C. POL 0.022uF 50V	ECHR1H223JZ
C4932	NX703880	C. EL 330uF 10V	ECA1APX331
C4933	NX704170	C. POL 0.022uF 50V	ECHR1H223JZ
C4934	NX703890	C. EL 470uF 10V	ECA1APX471
* C5001, 02	FX612220	C. CE 0.1uF 16V CH	ECUX1C104ZVF
C5201, 02	FX611890	C. EL 10uF 16V	EEVHB1C100
C5203-05	FX612220	C. CE 0.1uF 16V CH	ECUX1C104ZVF
C5211	AA05250	C. EL 47uF 6.3V	EEVHBOJ470
C5215	AA05250	C. EL 47uF 6.3V	EEVHBOJ470
C5221	FX612220	C. CE 0.1uF 16V CH	ECUX1C104ZVF
* C5222	AA026510	C. EL 10uF 10V	RCST1AY106RC
* C5231	AA06450	R. MTL. CHP 4.7KΩ 1/16W	ERJ3GEYJ472
C5232-34	FX612220	C. CE 0.1uF 16V CH	ECUX1C104ZVF
C5235, 36	FX612210	C. CE 0.1uF 16V CH	ECUX1C104KBV
C5251	NX702500	C. CE 10pF 50V CH	ECUX1H101JCV
C5252	FX612210	C. CE 0.1uF 16V CH	ECUX1C104KBV
* C5261	FX612220	C. CE 0.1uF 16V CH	ECUX1C104ZVF
C5262	AA026990	C. CE 820pF 50V	ECYX1H821JCV
* C5263	FX612390	C. CE 220pF 50V CH	ECUX1H221JCV
* C5264	AA026990	C. CE 820pF 50V	ECYX1H821JCV
C5271, 72	FX612220	C. CE 0.1uF 16V CH	ECUX1C104ZVF
C5273	NX702540	C. CE 1800pF 50V CH	ECUX1H182KBV
C5274	FX612210	C. CE 0.1uF 16V CH	ECUX1C104KBV
C5282	FX612220	C. CE 0.1uF 16V CH	ECUX1C104ZVF
* C5283, 84	AA026970	C. CE 560pF 50V	ECUX1H561JCV
* C5285	AA026920	C. CE 0.027uF 16V	ECUX1C273KBV
C5288	FX612220	C. CE 0.1uF 16V CH	ECUX1C104ZVF
C5289-92	FX612210	C. CE 0.1uF 16V CH	ECUX1C104KBV
C5295	FX612220	C. CE 0.1uF 16V CH	ECUX1C104ZVF
C5298	AA015610	C. CE 0.047uF 16V	ECUX1C473KBV
C6001	FX611600	C. EL 220uF 6.3V	ECEA0JKA221
C6002	FX612220	C. CE 0.1uF 16V CH	ECUX1C104ZVF
C6003	FX612330	C. CE 0.01uF 50V CH	ECUX1H103ZVF
C6005	FX612330	C. CE 0.01uF 50V CH	ECUX1H103ZVF
C6007	FX612330	C. CE 0.01uF 50V CH	ECUX1H103ZVF
C6008	FX612220	C. CE 0.1uF 16V CH	ECUX1C104ZVF
C6013	FX612220	C. CE 0.1uF 16V CH	ECUX1C104ZVF
C6014	FX611590	C. EL 100uF 6.3V	ECEA0JRS101
C6015	FX612220	C. CE 0.1uF 16V CH	ECUX1C104ZVF
* C6016	AA026480	C. EL 10uF 50V	ECEA1HKS100
C6017	FX612220	C. CE 0.1uF 16V CH	ECUX1C104ZVF
C6018	FX612330	C. CE 0.01uF 50V CH	ECUX1H103ZVF
C6071	FX612220	C. CE 0.1uF 16V CH	ECUX1C104ZVF
* C6072	AA026460	C. EL 47uF 6.3V	ECEA0JRS470
C6073	AA018300	C. EL 330uF 6.3V	ECEA0JRS331
* C6101	AA026460	C. EL 47uF 6.3V	ECEA0JRS470

* New Parts

Schm Ref.	PART NO.	Description	Remarks
C6201	FX611880	C. EL 33uF 6.3V	EEVHBOJ330
C6202-06	FX612220	C. CE 0.1uF 16V CH	ECUX1C104ZVF
C6211	NX702500	C. CE 10pF 50V CH	ECUX1H101JCV
C6215	FX612210	C. CE 0.1uF 16V CH	ECUX1C104KBV
C6221	FX612220	C. CE 0.1uF 16V CH	ECUX1C104ZVF
C6251	FX612310	C. CE 0.01uF 50V CH	ECUX1H103KBV
C6252	NX702100	C. EL 100uF 6.3V	EEVHBOJ101
C6271	FX612220	C. CE 0.1uF 16V CH	ECUX1C104ZVF
* C6272	AA026510	C. EL 10uF 10V	RCST1AY106RC
C6301, 02	FX612220	C. CE 0.1uF 16V CH	ECUX1C104ZVF
C6501	FX611880	C. EL 33uF 6.3V	EEVHBOJ330
C6502, 03	FX612220	C. CE 0.1uF 16V CH	ECUX1C104ZVF
C6504	NX702510	C. CE 1000pF 50V CH	ECUX1H102JCV
* C6505	NX702480	C. CE 8pF 50V CH	ECUX1H080DCV
C6511	FX612220	C. CE 0.1uF 16V CH	ECUX1C104ZVF
C6521	FX612220	C. CE 0.1uF 16V CH	ECUX1C104ZVF
C6522	NX702510	C. CE 1000pF 50V CH	ECUX1H102JCV
* C6523	AA026940	C. CE 5pF 50V	ECUX1H050DCV
C6531	FX612220	C. CE 0.1uF 16V CH	ECUX1C104ZVF
C6541	FX612220	C. CE 0.1uF 16V CH	ECUX1C104ZVF
C6551	FX612220	C. CE 0.1uF 16V CH	ECUX1C104ZVF
C6561	FX612220	C. CE 0.1uF 16V CH	ECUX1C104ZVF
C6562, 63	NX702530	C. CE 15pF 50V CH	ECUX1H150JCV
C6571	FX612220	C. CE 0.1uF 16V CH	ECUX1C104ZVF
C6801, 02	NX702100	C. EL 100uF 6.3V	EEVHBOJ101
* C6803-14	AA026910	C. CE 0.22uF 16V	ECUX1C224ZVF
D1002	AA05550	SURG. PRTCT ENC471D5ATRB	ENC471D5ATRB
* D1011	AA04220	DIODE S1WBA80	S1WBA80
D1031	iX637340	DIODE AP01C	AP01C
D1041	iX636960	DIODE AU01Z	AU01Z
D1051, 52	iX634180	DIODE 1SS254	1SS254
* D1053	AA028130	DIODE MA4022	MA4022
D1054	iX636960	DIODE AU01Z	AU01Z
* D1101	AA027040	DIODE MAZ70750AC	MAZ70750AC
D1111	iX636940	DIODE 21DQ06FC4	21DQ06FC4
D1121	iX636940	DIODE 21DQ06FC4	21DQ06FC4
* D1126	AA027000	DIODE 11ES1TA1	BOEAKL000031
D1131	iX637330	DIODE. SHOT 11EQS10TA1	11EQS10TA1
* D1132	AA028140	DIODE MA7180A	MA7180A
D1141	iX637330	DIODE. SHOT 11EQS10TA1	11EQS10TA1
* D1141	AA027010	DIODE M1FS4-4063	BOJCMEO00025
D1142	NX702630	DIODE MA111	MA111
D1145	AA04200	DIODE MA8039-L	MA8039L
D1151, 52	iX637330	DIODE. SHOT 11EQS10TA1	11EQS10TA1
D1161	iX636960	DIODE AU01Z	AU01Z
D1162	NX702670	DIODE MA4030M	MA4030M
D1171	iX636950	DIODE AK04	AK04
D3251	NX702630	DIODE MA111	MA111
D3831, 32	NX702640	DIODE MA152A	MA152A
D4596	NX702660	DIODE MA3047M	MA3047M
D4901	AA04160	DIODE AK04WS	AK04WS
D4921	iX635430	DIODE. CHP 1SS355	1SS355
D4931	iX635430	DIODE. CHP 1SS355	1SS355
* D5261	AA027030	DIODE MA716TX	MA716TX
D6071	AA04200	DIODE MA8039-L	MA8039L
D6072	AA04160	DIODE AK04WS	AK04WS
D6101	NX701880	LED LNJ201LPQJA	LNJ201LPQJA
* D6104	AA027770	LED AMBER VIDEO OFF	LNJ401NPQJA
D6215	NX702680	DIODE MA728	MA728
D6501	NX702650	DIODE MA304	MA304
D6521	NX702650	DIODE MA304	MA304
* DL6001	AA027580	FL. DSPLY 13-BT-186GNK	A2BC00000038
F1001	AA05910	FUSE T1.6A 250V	XBA2C16TBO

* New Parts

Schm Ref.	PART NO.	Description	Remarks
* FL3501	AAx27300	FLTR ELB4A027B	ELB4A027B
* FL3511	AAx27320	FLTR ELB4B106B	ELB4B106B
* FL3551	AAx27300	FLTR ELB4A027B	ELB4A027B
* FL3561	AAx27330	FLTR ELB4C077B	ELB4C077B
FL4201	AAx16450	FLTR VLF1491S105	VLF1491S105
FL6251	AAx16440	FLTR VLF1491S104	VLF1491S104
FL6252, 53	AAx16450	FLTR VLF1491S105	VLF1491S105
FL6255, 56	AAx16450	FLTR VLF1491S105	VLF1491S105
* FP4701	AAx26740	CN 16P	VJS3537B016G
* FP5001	AAx26680	CN 30P	K1MN30B00062
* FP5002	AAx26700	CN 38P	K1MN38B00005
* FP5003	AAx26670	CN 4P	K1MN04B00036
* FP5201	AAx26690	CN 38P	K1MN38A00005
* FP6001	AAx26740	CN 16P	VJS3537B016G
FP6002	AAx05430	CN 6P	VJS3537A006G
FP6201	AAx05450	CN 6P	VJS3537B006G
IC1101	AAx03700	IC uPC1093J	UPC1093J
* IC1121	AAx26060	IC BA9714F-E2	CODBAMZ00003
IC1125	AAx16100	IC PQ07RX11	PQ07RX11
IC1151	AAx03600	IC SI-3090FLF1	SI3090FLF1
* IC2001	AAx26200	IC MN103S26EGA	MN103S26EGA
* IC2501	AAx26080	IC BA5823FM-E2	COGB0000020
* IC3001	AAx26220	IC MN677531KA	MN677531KA
* IC3061	AAx26140	IC MT48LC4M16A2TG-8E	C3ABPG000057
IC3091	NX701730	IC NJM2115V	NJM2115V
* IC3201	AAx26110	IC ADV7190KST	COZBZ0000459
* IC3251	AAx26040	IC PQ1K333M2ZP	COCBBD00002
IC3531	iX636520	IC AN3581S	AN3581S
IC3801	XZ132A00	IC MM1443XJBE	
IC3851, 52	AAx04980	IC MC14053BF	MC14053BF
IC3853	NX703690	IC BA7660FS	BA7660FS
IC3891	AAx18270	IC PQ12DZ51	PQ12DZ51
IC4201	AAx16150	IC TK71533SCL	TK71533SCL
* IC4211	AAx26070	IC PCM1737ET2	COFBK000020
IC4221	AAx16080	IC PCM1746E	PCM1746E
IC4231	AAx16080	IC PCM1746E	PCM1746E
IC4241	AAx16080	IC PCM1746E	PCM1746E
IC4261	NX701840	IC TC7W32FU	TC7W32FU
IC4301, 02	iX636760	IC NJM4580M	NJM4580M
IC4321	iX636760	IC NJM4580M	NJM4580M
IC4341	iX636760	IC NJM4580M	NJM4580M
IC4361	iX636760	IC NJM4580M	NJM4580M
IC4701	iX636760	IC NJM4580M	NJM4580M
IC4731	AAx03460	IC M5218AFP	M5218AFP
IC4751, 52	AAx03400	IC AHCT1G08DBV	AHCT1G08DBV
* IC4781	AAx26020	IC TOTX179	B3RAE0000021
IC4901	AAx03550	IC PQ09DZ1U	PQ09DZ1U
* IC5201	AAx26000	IC AN8703FH	AN8703FH
* IC5261	AAx26030	IC NJU7015-TE1	COABHB000004
* IC5262	AAx26160	IC CLC58021MX	CLC58021MX
* IC5264	AAx26240	IC TC7W53FU	TC7W53FU
IC6001	AAx18260	IC MN101C35DCC	MN101C35DCC
IC6002	AAx16120	IC PST9327UR	PST9327UR
* IC6004	AAx26120	IC BU2098F-E2	COZBZ0000460
* IC6101	AAx26010	IC GP1UD272XK	B3RAD0000029
* IC6201	AAx26190	IC MN102H60GFB	MN102H60GFB
IC6211	AAx03570	IC PST596JNR	PST596JNR
* IC6221	AAx26150	IC BR24C08F-E21	C3EBFC000025
IC6271	AAx16090	IC PQ018EZO1ZP	PQ018EZO1ZP
* IC6301	AAx26230	IC TC58FVT321FT-10	C3FBNG000009
IC6501	AAx04910	IC AHC1GU04HDCK	AHC1GU04HDCK
IC6511	AAx04910	IC AHC1GU04HDCK	AHC1GU04HDCK
IC6521	AAx04910	IC AHC1GU04HDCK	AHC1GU04HDCK

* New Parts

Schm Ref.	PART NO.	Description	Remarks
IC6531	AAx04910	IC AHC1GU04HDCK	AHC1GU04HDCK
* IC6541	AAx25990	IC AHC2G74HDCTR	AHC2G74HDCTR
* IC6551	AAx25970	IC AHC2G157HDCT	AHC2G157HDCT
IC6561	AAx04910	IC AHC1GU04HDCK	AHC1GU04HDCK
IC6571	AAx04910	IC AHC1GU04HDCK	AHC1GU04HDCK
* IC6801	AAx26210	IC MN67736WK	MN67736WK
J3871	AAx05470	CN 21P	VJS3921
J3881	AAx05470	CN 21P	VJS3921
* J4731	AAx04090	JACK	VJJ0578
* JK3541	LX610410	CN	VJJ0561
* JK4501	AAx05920	JACK. PIN	VJJ0643
* JK4502	NX702930	JACK. PIN	VJJ0592
* JK4771	NX702920	JACK. PIN	VJJ0590
K2002	HX609880	R. MTL. CHP	0Ω 1/16W ERJ3GEY0R00
K3002-04	HX609880	R. MTL. CHP	0Ω 1/16W ERJ3GEY0R00
K3201	HX609880	R. MTL. CHP	0Ω 1/16W ERJ3GEY0R00
K3203	HX609880	R. MTL. CHP	0Ω 1/16W ERJ3GEY0R00
K3261	HX609880	R. MTL. CHP	0Ω 1/16W ERJ3GEY0R00
K3264	HX609880	R. MTL. CHP	0Ω 1/16W ERJ3GEY0R00
K3266	HX609880	R. MTL. CHP	0Ω 1/16W ERJ3GEY0R00
K3871	HX609880	R. MTL. CHP	0Ω 1/16W ERJ3GEY0R00
K3881	HX609880	R. MTL. CHP	0Ω 1/16W ERJ3GEY0R00
K6004	HX609880	R. MTL. CHP	0Ω 1/16W ERJ3GEY0R00
K6231	HX609880	R. MTL. CHP	0Ω 1/16W ERJ3GEY0R00
K6813	HX609880	R. MTL. CHP	0Ω 1/16W ERJ3GEY0R00
* L1001, 02	NX703060	FLTR ELF15N005A	ELF15N005A
L1111	AAx05340	COIL 10uH	VLQ0611K100
L1115	GX609370	COIL 10uH	ELELN100KA
L1131	NX702210	COIL 33uH	VLQEL05S330K
* L1141	AAx26610	COIL 82uH	TAL10RP820LB
* L1141	NX702210	COIL 33uH	VLQEL05S330K
* L1145	GX609470	COIL 22uH	VLQ0655K220
L1151	AAx05350	COIL 22uH	VLQ0611K220
L2001, 02	AAx16510	COIL 10uH	VLQ0910K100
L2021	AAx16510	COIL 10uH	VLQ0910K100
L2501	HX609860	COIL 0uH	ERJ14Y0R00
* L3251	AAx26550	COIL 10uH	ELJEA100KF
L3501	AAx15630	COIL 22uH	ELESE220JA
L3531, 32	AAx15630	COIL 22uH	ELESE220JA
L3551	AAx15630	COIL 22uH	ELESE220JA
L3851	AAx15630	COIL 22uH	ELESE220JA
L3871, 72	AAx05390	COIL 470uH	VLQEL05S471J
L3881, 82	AAx05390	COIL 470uH	VLQEL05S471J
* L4301	AAx26540	COIL 100uH	ELESE101JA
* L4731-33	AAx26600	COIL RLL500050T-Y	RLL500050TY
* L4761	NX702130	COIL 0.1uH	ELJNDR10JF
L4781	AAx15630	COIL 22uH	ELESE220JA
* L5201, 02	AAx26550	COIL 10uH	ELJEA100KF
* L6001	AAx05360	COIL 100uH	VLQEL05S101J
* L6002-05	AAx26590	COIL 10uH	JAL45RA100J
* L6101	AAx26620	COIL 220uH	VLQEL05S221K
L6501	AAx16500	COIL 22uH	VLQ0909J220
L44201	AAx07220	R. ARRAY 0Ω x4	EXBV8VR000
L46211, 12	AAx07220	R. ARRAY 0Ω x4	EXBV8VR000
LB1021	NX702140	COIL VLP0056	VLP0056
LB3001, 02	GX609400	COIL 47uH	JALBK2HS470T
* LB3091	AAx05730	COIL. CHP	VLP0323A601R
* LB3203-07	AAx05730	COIL. CHP	VLP0323A601R
* LB3543-46	AAx05730	COIL. CHP	VLP0323A601R
LB3871-74	NX702150	COIL VLP0145	VLP0145
LB3881	NX702150	COIL VLP0145	VLP0145
* LB4201-11	AAx05730	COIL. CHP	VLP0323A601R
LB4701-06	GX609460	COIL	VLP0157

* New Parts

Schm Ref.	PART NO.	Description	Remarks	
	LB4708-14	GX609460	COIL	VLP0157
*	LB4771, 72	AAX05730	COIL. CHP	VLP0323A601R
*	LB5001, 02	AAX05730	COIL. CHP	VLP0323A601R
*	LB5201, 02	AAX05730	COIL. CHP	VLP0323A601R
	LB5203-07	GX609400	COIL	JALBK2HS470T
*	LB5208-14	AAX05730	COIL. CHP	VLP0323A601R
	LB5215	GX609400	COIL	JALBK2HS470T
	LB5216-19	GX609450	COIL	VLP0155
*	LB5220, 21	AAX05730	COIL. CHP	VLP0323A601R
	LB5222, 23	GX609450	COIL	VLP0155
*	LB5224, 25	AAX05730	COIL. CHP	VLP0323A601R
	LB5226-29	AAI16460	COIL	VLP0174
*	LB6001-03	AAX05730	COIL. CHP	VLP0323A601R
*	LB6005, 06	AAX05730	COIL. CHP	VLP0323A601R
*	LB6008-11	AAX05730	COIL. CHP	VLP0323A601R
*	LB6013-15	AAX05730	COIL. CHP	VLP0323A601R
*	LB6018-23	AAX05730	COIL. CHP	VLP0323A601R
*	LB6026-28	AAX05730	COIL. CHP	VLP0323A601R
*	LB6201	AAX05730	COIL. CHP	VLP0323A601R
	LB6202	GX609450	COIL	VLP0155
*	LB6211-14	AAX05730	COIL. CHP	VLP0323A601R
*	LB6216-18	AAX05730	COIL. CHP	VLP0323A601R
*	LB6219-21	AAX05730	COIL. CHP	VLP0323A601R
*	LB6251	AAX05730	COIL. CHP	VLP0323A601R
*	LB6501	AAX05730	COIL. CHP	VLP0323A601R
*	LB6511	AAX05730	COIL. CHP	VLP0323A601R
	LB6512	GX609450	COIL	VLP0155
*	LB6521	AAX05730	COIL. CHP	VLP0323A601R
*	LB6531	AAX05730	COIL. CHP	VLP0323A601R
	LB6532	GX609450	COIL	VLP0155
*	LB6541	AAX05730	COIL. CHP	VLP0323A601R
	LB6542	GX609450	COIL	VLP0155
*	LB6551	AAX05730	COIL. CHP	VLP0323A601R
	LB6552	GX609450	COIL	VLP0155
*	LB6561	AAX05730	COIL. CHP	VLP0323A601R
*	LB6571	AAX05730	COIL. CHP	VLP0323A601R
	LB6572	GX609450	COIL	VLP0155
	LB6801, 02	GX609400	COIL	JALBK2HS470T
	LR1041	AAI16470	COIL	VLP0392
▲	P1001	LX610210	INLET. AC	VJS3166
	PP1101	AAI05410	CN	VJP4223E018B
	PP1102	AAI16360	CN	VJP4369A014B
*	PP3201	AAI26630	CN	KIK1A10A00278
*	PP3801	AAI28110	CN	VJP3042G019W
*	PP4201	AAI26730	CN	VJP4369A026B
	PP6001	AAI16360	CN	VJP4369A014B
*	PP6002	AAI26710	CN	VJP3233A002
▲	PR1161	AAI04040	IC. PRT	VSF0015A025
▲	PR1171	KX604710	IC. PRT	VSF0015A10
▲	PR4911	KX604710	IC. PRT	VSF0015A10
	PS1101	AAI04010	CN	VJS4223A018
*	PS3201	AAI26650	CN	KIK1B10A00092
*	PS3801	AAI28120	CN	VJS3042F019W
	PS4201	AAI05480	CN	VJS4222A026B
	PS6201	AAI03930	CN	VJS2961A010
	PS6202	AAI16400	CN	VJS4222A014B
	PS6251	AAI16400	CN	VJS4222A014B
*	Q1021	AAI28020	2SC4908LF	2SC4908LF
▲	Q1051	AAI05940	PHOT. CPL	PS2561L1
	Q1052	NX704090	TR	2SD1996-S
	Q1061	NX704090	TR	2SD1996-S
	Q1062	NX704070	TR	2SC3311A-S
	Q1063	NX704090	TR	2SD1996-S

* New Parts

Schm Ref.	PART NO.	Description	Remarks	
	Q1115	NX702880	TR	2SJ525
*	Q1141	AAI27060	TR	2SA2012
	Q1142	iX637270	TR	2SD601A
	Q2001	AAI04270	TR	2SD1819A-R
	Q3221	NX702830	TR	2SB1218A-R
	Q3226	NX702830	TR	2SB1218A-R
	Q3231	NX702830	TR	2SB1218A-R
	Q3236	NX702830	TR	2SB1218A-R
	Q3241	NX702830	TR	2SB1218A-R
	Q3501	iX637400	TR	2SB709A
	Q3511	iX637400	TR	2SB709A
	Q3551	NX702850	TR	2SC2295-B
	Q3552	NX702820	TR	2SA1022-B
	Q3553	iX637270	TR	2SD601A
	Q3561	NX702850	TR	2SC2295-B
	Q3562	NX702820	TR	2SA1022-B
	Q3563	iX637270	TR	2SD601A
	Q3571	NX702850	TR	2SC2295-B
	Q3572	NX702820	TR	2SA1022-B
	Q3573	iX637270	TR	2SD601A
	Q3831	AAI05830	TR	2XN4402
	Q3832	AAI05820	TR	2XN4401
	Q3833	AAI05800	TR	2SB710R
	Q4381	iX637270	TR	2SD601A
	Q4501	iX637240	TR	2SD1328
	Q4502	iX637270	TR	2SD601A
	Q4511	iX637240	TR	2SD1328
	Q4512	iX637270	TR	2SD601A
	Q4521	iX637240	TR	2SD1328
	Q4531	iX637240	TR	2SD1328
	Q4541	iX637270	TR	2SD601A
	Q4551	iX637270	TR	2SD601A
	Q4561	iX637270	TR	2SD601A
	Q4571	iX637270	TR	2SD601A
	Q4591	iX637270	TR	2SD601A
	Q4721, 22	iX637240	TR	2SD1328
	Q4901	iX637400	TR	2SB709A
	Q4911	AAI05790	TR	2SB1434R
	Q4912	iX637210	TR	2SB1320AR
	Q4913	iX637270	TR	2SD601A
	Q4921	NX704110	TR	2SK170V
	Q4931	NX704100	TR	2SJ74V
	Q5211	iX637190	TR	2SB1115T
	Q5215	iX637190	TR	2SB1115T
*	Q5261, 62	AAI27070	TR	2SC3930-BC
*	Q5263	AAI27050	TR	2SA1532-B
*	Q5264	AAI27070	TR	2SC3930-BC
*	Q5271	AAI27120	TR	UN5211
	Q6001	AAI15450	TR	2SD1996-R
	Q6071	iX637260	TR	2SD1992AR
	Q6215	iX637160	TR. DGT	UN5212
	QR1115	NX702790	TR. DGT	UN4213
	QR3831	AAI05750	TR. DGT	UN2217
	QR4201	iX637130	TR. DGT	UN2111
*	QR4202	AAI27100	TR	UN2215
	QR4381	NX702780	TR. DGT	UN2211
	QR4382	iX637130	TR. DGT	UN2111
	QR4591	NX702780	TR. DGT	UN2211
	QR4593	NX702780	TR. DGT	UN2211
	QR4594	iX637130	TR. DGT	UN2111
	QR5221	AAI16160	TR	UN2121
*	QR5241	AAI27110	TR	UN511M
	QR6001	NX702890	TR	DTA123JK

* New Parts

Schm Ref.	PART NO.	Description	Remarks
* QR6003	AAx27090	TR	DTC123JK-T96
R1002	NX703220	R. CAR	330KΩ 1/2W
R1031, 32	HV458220	R. CAR. FP	220KΩ 1/4W
R1041, 42	HV458330	R. CAR. FP	330KΩ 1/4W
R1043	AAx15790	R. MTL. FLM	68Ω 2W
R1051	AAx15780	R. CAR. FP	75Ω 1/4W
R1052	HV753220	R. CAR. FP	2. 2Ω 1/4W
R1053	HV455330	R. CAR. FP	330Ω 1/4W
R1054	AAx15640	R. CAR. FP	680Ω 1/4W
R1061	HV457100	R. CAR. FP	10KΩ 1/4W
R1062, 63	HV459100	R. CAR. FP	1MΩ 1/4W
R1064	HU577180	R. MTL. FLM	18KΩ 1/4W
R1065	AAx15730	R. CAR. FP	3. 3KΩ 1/4W
R1066	HV457470	R. CAR. FP	47KΩ 1/4W
R1101	AAx15780	R. CAR. FP	75Ω 1/4W
R1102, 03	AAx07230	R. MTL	1. 2KΩ 1/4W
R1104	HV455560	R. CAR. FP	560Ω 1/4W
R1105	AAx07280	R. MTL	270Ω 1/4W
R1106	AAx15740	R. CAR. FP	3. 9KΩ 1/4W
R1107	AAx15750	R. CAR. FP	4. 7KΩ 1/4W
R1115	HV458100	R. CAR. FP	100KΩ 1/4W
R1116	HV456100	R. CAR. FP	1KΩ 1/4W
* R1120	HX610250	R. MTL. CHP	82KΩ 1/16W
R1121	HX610010	R. MTL. CHP	10KΩ 1/16W
R1124	HX610010	R. MTL. CHP	10KΩ 1/16W
R1125	HV455100	R. CAR. FP	100Ω 1/4W
* R1125	HX610240	R. MTL. CHP	68KΩ 1/16W
R1126	NX703390	R. MTL. CHP	7. 5KΩ 1/16W
R1126	AAx07230	R. MTL	1. 2KΩ 1/4W
R1127	AAx07230	R. MTL	1. 2KΩ 1/4W
R1127	HX610290	R. MTL. CHP	12KΩ 1/16W
R1128	AAx15830	R. MTL. CHP	30KΩ 1/16W
* R1129	HX610060	R. MTL. CHP	15KΩ 1/16W
R1130	NX703390	R. MTL. CHP	7. 5KΩ 1/16W
* R1133	AAx27860	R. MTL. CHP	0. 56Ω 1/8W
R1141	AAx15930	R. MTL. CHP	680Ω 1/10W
* R1142	HX610000	R. MTL. CHP	1KΩ 1/16W
* R1143, 44	AAx27860	R. MTL. CHP	0. 56Ω 1/8W
R1161	HV458100	R. CAR. FP	100KΩ 1/4W
R1181	HV455100	R. CAR. FP	100Ω 1/4W
* R2020	HX610080	R. MTL. CHP	18KΩ 1/16W
R2021	HX610190	R. MTL. CHP	47KΩ 1/16W
R2022, 23	NX703390	R. MTL. CHP	7. 5KΩ 1/16W
R2025, 26	HX610120	R. MTL. CHP	22KΩ 1/16W
R2027, 28	NX703380	R. MTL. CHP	56KΩ 1/16W
* R2029, 30	HX610000	R. MTL. CHP	1KΩ 1/16W
* R2031, 32	AAx06430	R. MTL. CHP	3. 3KΩ 1/16W
* R2033	AAx06450	R. MTL. CHP	4. 7KΩ 1/16W
R2034	HX610190	R. MTL. CHP	47KΩ 1/16W
R2035	HX610150	R. MTL. CHP	2. 7KΩ 1/16W
R2036	HX609880	R. MTL. CHP	0Ω 1/16W
* R2037	HX610240	R. MTL. CHP	68KΩ 1/16W
* R2038	HX610060	R. MTL. CHP	15KΩ 1/16W
R2039	NX703300	R. MTL. CHP	1MΩ 1/16W
* R2040, 41	AAx06490	R. MTL. CHP	8. 2KΩ 1/16W
* R2042-46	HX610060	R. MTL. CHP	15KΩ 1/16W
R2047, 48	RD359470	R. CAR. CHP	4. 7MΩ 1/10W
* R2049	HX610000	R. MTL. CHP	1KΩ 1/16W
R2053, 54	HX610190	R. MTL. CHP	47KΩ 1/16W
R2501-03	HX609880	R. MTL. CHP	0Ω 1/16W
R2504, 05	HX609990	R. MTL. CHP	100Ω 1/16W
R2506	HX609880	R. MTL. CHP	0Ω 1/16W
R3001	HX610090	R. MTL. CHP	22Ω 1/16W

* New Parts

Schm Ref.	PART NO.	Description	Remarks
R3002	HX610190	R. MTL. CHP	47KΩ 1/16W
R3006, 07	HX609880	R. MTL. CHP	0Ω 1/16W
R3012	HX610000	R. MTL. CHP	1KΩ 1/16W
* R3013	AAx06480	R. MTL. CHP	680KΩ 1/16W
* R3014-16	HX609990	R. MTL. CHP	100Ω 1/16W
* R3017	AAx06480	R. MTL. CHP	680KΩ 1/16W
R3018	HX609990	R. MTL. CHP	100Ω 1/16W
R3031	HX609990	R. MTL. CHP	100Ω 1/16W
R3061	HX609990	R. MTL. CHP	100Ω 1/16W
R3091, 92	NX703270	R. MTL. CHP	22KΩ 1/16W
R3093	NX703340	R. MTL. CHP	33KΩ 1/16W
* R3094	HX610060	R. MTL. CHP	15KΩ 1/16W
* R3095	HX610080	R. MTL. CHP	18KΩ 1/16W
R3096	HX610160	R. MTL. CHP	27KΩ 1/16W
* R3097	HX610080	R. MTL. CHP	18KΩ 1/16W
R3098	HX610160	R. MTL. CHP	27KΩ 1/16W
R3201, 02	HX609990	R. MTL. CHP	100Ω 1/16W
R3203	NX703400	R. MTL. CHP	820Ω 1/16W
* R3204	HX610100	R. MTL. CHP	220Ω 1/16W
* R3205	Vi193200	R. MTL. CHP	200Ω 1/10W
* R3207	HX610210	R. MTL. CHP	510Ω 1/16W
* R3221	Vi192300	R. MTL. CHP	82Ω 1/10W
* R3222	HX610100	R. MTL. CHP	220Ω 1/16W
* R3223	NX703330	R. MTL. FLM	33Ω 1/16W
* R3224	HX610000	R. MTL. CHP	1KΩ 1/16W
* R3226	HX610050	R. MTL. CHP	150Ω 1/16W
* R3227	HX610100	R. MTL. CHP	220Ω 1/16W
* R3228	NX703330	R. MTL. FLM	33Ω 1/16W
* R3229	HX610000	R. MTL. CHP	1KΩ 1/16W
R3231	AAx06550	R. MTL. CHP	220Ω 1/16W
R3232	NX703330	R. MTL. FLM	33Ω 1/16W
* R3233	HX610000	R. MTL. CHP	1KΩ 1/16W
R3236	AAx06550	R. MTL. CHP	220Ω 1/16W
R3237	NX703330	R. MTL. FLM	33Ω 1/16W
* R3238	HX610000	R. MTL. CHP	1KΩ 1/16W
R3241	AAx06550	R. MTL. CHP	220Ω 1/16W
* R3242	NX703330	R. MTL. FLM	33Ω 1/16W
* R3243	HX610000	R. MTL. CHP	1KΩ 1/16W
* R3501	HX610390	R. MTL. CHP	560Ω 1/10W
R3502	HX610010	R. MTL. CHP	10KΩ 1/16W
* R3503	HX610000	R. MTL. CHP	1KΩ 1/16W
* R3511	HX610390	R. MTL. CHP	560Ω 1/10W
R3512	HX610110	R. MTL. CHP	2. 2KΩ 1/16W
* R3513	HX610000	R. MTL. CHP	1KΩ 1/16W
R3527	HX609880	R. MTL. CHP	0Ω 1/16W
* R3531	HX609890	R. MTL. CHP	1KΩ 1/16W
* R3532	Vi195000	R. MTL. CHP	1. 1KΩ 1/10W
* R3533	HX609890	R. MTL. CHP	1KΩ 1/16W
* R3534	HX610210	R. MTL. CHP	510Ω 1/16W
R3535	HX610010	R. MTL. CHP	10KΩ 1/16W
R3543, 44	HX610340	R. MTL. CHP	75Ω 1/10W
* R3545, 46	AAx27850	R. MTL. CHP	78. 7Ω 1/10W
* R3551	HX610080	R. MTL. CHP	18KΩ 1/16W
* R3552	AAx15850	R. MTL. CHP	470Ω 1/16W
* R3553	HX610120	R. MTL. CHP	22KΩ 1/16W
* R3554	HX610170	R. MTL. CHP	330Ω 1/16W
* R3555	HX610390	R. MTL. CHP	560Ω 1/10W
* R3556	HX610010	R. MTL. CHP	10KΩ 1/16W
* R3557	HX610000	R. MTL. CHP	1KΩ 1/16W
* R3558	NX703330	R. MTL. FLM	33Ω 1/16W
* R3559	HX610000	R. MTL. CHP	1KΩ 1/16W
* R3561	HX610080	R. MTL. CHP	18KΩ 1/16W
R3562	AAx15850	R. MTL. CHP	470Ω 1/16W

* New Parts

Schm Ref.	PART NO.	Description	Remarks
R3563	HX610120	R. MTL. CHP 22KΩ 1/16W	ERJ3GEYJ223
R3564	HX610170	R. MTL. CHP 330Ω 1/16W	ERJ3GEYJ331
R3565	HX610390	R. MTL. CHP 560Ω 1/10W	ERJ6GEYF561
R3566	HX610010	R. MTL. CHP 10KΩ 1/16W	ERJ3GEYJ103
R3567	HX610000	R. MTL. CHP 1KΩ 1/16W	ERJ3GEYJ102
R3568	NX703330	R. MTL. FLM 33Ω 1/16W	ERJ3GEYJ330
R3569	HX610000	R. MTL. CHP 1KΩ 1/16W	ERJ3GEYJ102
R3571	HX610080	R. MTL. CHP 18KΩ 1/16W	ERJ3GEYJ183
R3572	AAI15850	R. MTL. CHP 470Ω 1/16W	ERJ3GEYF471
R3573	HX610120	R. MTL. CHP 22KΩ 1/16W	ERJ3GEYJ223
R3574	HX610170	R. MTL. CHP 330Ω 1/16W	ERJ3GEYJ331
R3575	HX610390	R. MTL. CHP 560Ω 1/10W	ERJ6GEYF561
R3576	HX610010	R. MTL. CHP 10KΩ 1/16W	ERJ3GEYJ103
R3577	HX610000	R. MTL. CHP 1KΩ 1/16W	ERJ3GEYJ102
R3578	NX703330	R. MTL. FLM 33Ω 1/16W	ERJ3GEYJ330
R3579	HX610000	R. MTL. CHP 1KΩ 1/16W	ERJ3GEYJ102
R3801-03	AAI15800	R. MTL. CHP 150Ω 1/16W	ERJ3GEYF151
R3804	Vi193000	R. MTL. CHP 160Ω 1/10W	
R3805	HX609990	R. MTL. CHP 100Ω 1/16W	ERJ3GEYJ101
R3806	HX610190	R. MTL. CHP 47KΩ 1/16W	ERJ3GEYJ473
R3807	HX609990	R. MTL. CHP 100Ω 1/16W	ERJ3GEYJ101
R3808	HX610190	R. MTL. CHP 47KΩ 1/16W	ERJ3GEYJ473
R3809	HX610010	R. MTL. CHP 10KΩ 1/16W	ERJ3GEYJ103
R3810	HX610120	R. MTL. CHP 22KΩ 1/16W	ERJ3GEYJ223
R3811	Vi192700	R. MTL. CHP 120Ω 1/10W	
R3812	VK581300	R. MTL. CHP 130KΩ 1/10W	
R3831	HX610010	R. MTL. CHP 10KΩ 1/16W	ERJ3GEYJ103
R3832	AAI06450	R. MTL. CHP 4.7KΩ 1/16W	ERJ3GEYJ472
R3833, 34	HX610010	R. MTL. CHP 10KΩ 1/16W	ERJ3GEYJ103
R3835	AAI06450	R. MTL. CHP 4.7KΩ 1/16W	ERJ3GEYJ472
R3836	AAI06470	R. MTL. CHP 68Ω 1/16W	ERJ3GEYF680
R3837-39	AAI06450	R. MTL. CHP 4.7KΩ 1/16W	ERJ3GEYJ472
R3840	HX610060	R. MTL. CHP 15KΩ 1/16W	ERJ3GEYJ153
R3841	HX610160	R. MTL. CHP 27KΩ 1/16W	ERJ3GEYJ273
R3842	AAI15850	R. MTL. CHP 470Ω 1/16W	ERJ3GEYF471
R3851	NX703340	R. MTL. CHP 33KΩ 1/16W	ERJ3GEYJ333
R3852	AAI15870	R. MTL. CHP 5.6KΩ 1/16W	ERJ3GEYF562
R3853	NX703340	R. MTL. CHP 33KΩ 1/16W	ERJ3GEYJ333
R3854	HX610220	R. MTL. CHP 5.6KΩ 1/16W	ERJ3GEYJ562
R3855	NX703340	R. MTL. CHP 33KΩ 1/16W	ERJ3GEYJ333
R3856	AAI15870	R. MTL. CHP 5.6KΩ 1/16W	ERJ3GEYF562
R3857	NX703340	R. MTL. CHP 33KΩ 1/16W	ERJ3GEYJ333
R3858	AAI15870	R. MTL. CHP 5.6KΩ 1/16W	ERJ3GEYF562
R3859	NX703340	R. MTL. CHP 33KΩ 1/16W	ERJ3GEYJ333
R3860	AAI15870	R. MTL. CHP 5.6KΩ 1/16W	ERJ3GEYF562
R3861	NX703340	R. MTL. CHP 33KΩ 1/16W	ERJ3GEYJ333
R3862	AAI15870	R. MTL. CHP 5.6KΩ 1/16W	ERJ3GEYF562
R3863	NX703340	R. MTL. CHP 33KΩ 1/16W	ERJ3GEYJ333
R3864	AAI15870	R. MTL. CHP 5.6KΩ 1/16W	ERJ3GEYF562
R3865	AAI06450	R. MTL. CHP 4.7KΩ 1/16W	ERJ3GEYJ472
R3871	NX703400	R. MTL. CHP 820Ω 1/16W	ERJ3GEYJ821
R3872	HX609990	R. MTL. CHP 100Ω 1/16W	ERJ3GEYJ101
R3873	NX703400	R. MTL. CHP 820Ω 1/16W	ERJ3GEYJ821
R3874	HX609990	R. MTL. CHP 100Ω 1/16W	ERJ3GEYJ101
R3875-79	HX610340	R. MTL. CHP 75Ω 1/10W	ERJ6ENF75R0
R3881-84	HX609990	R. MTL. CHP 100Ω 1/16W	ERJ3GEYJ101
R3885-87	HX610340	R. MTL. CHP 75Ω 1/10W	ERJ6ENF75R0
R3888, 89	HX610340	R. MTL. CHP 75Ω 1/10W	ERJ6ENF75R0
R3903	HX609880	R. MTL. CHP 0Ω 1/16W	ERJ3GEYOR00
R4211	HX610170	R. MTL. CHP 330Ω 1/16W	ERJ3GEYJ331
R4221	HX610170	R. MTL. CHP 330Ω 1/16W	ERJ3GEYJ331
R4231	HX610170	R. MTL. CHP 330Ω 1/16W	ERJ3GEYJ331
R4241	HX610170	R. MTL. CHP 330Ω 1/16W	ERJ3GEYJ331

* New Parts

Schm Ref.	PART NO.	Description	Remarks
R4261-63	HX610010	R. MTL. CHP 10KΩ 1/16W	ERJ3GEYJ103
R4301	HX610020	R. MTL. CHP 100KΩ 1/16W	ERJ3GEYJ104
R4302	NX703510	R. MTL. CHP 3.9KΩ 1/10W	ERJ6GEYJ392
R4303	AAI07130	R. MTL. CHP 5.6KΩ 1/10W	ERJ6GEYJ562
R4304	NX703510	R. MTL. CHP 3.9KΩ 1/10W	ERJ6GEYJ392
R4305, 06	XX701590	R. CAR. CHP 6.8KΩ 1/10W	ERJ6GEYJ682
R4307	HX610190	R. MTL. CHP 47KΩ 1/16W	ERJ3GEYJ473
R4308, 09	AAI06790	R. MTL. CHP 15KΩ 1/10W	ERJ6GEYJ153
R4311	HX610020	R. MTL. CHP 100KΩ 1/16W	ERJ3GEYJ104
R4312	NX703510	R. MTL. CHP 3.9KΩ 1/10W	ERJ6GEYJ392
R4313	AAI07130	R. MTL. CHP 5.6KΩ 1/10W	ERJ6GEYJ562
R4314	NX703510	R. MTL. CHP 3.9KΩ 1/10W	ERJ6GEYJ392
R4317	HX610190	R. MTL. CHP 47KΩ 1/16W	ERJ3GEYJ473
R4321	HX610020	R. MTL. CHP 100KΩ 1/16W	ERJ3GEYJ104
R4322	NX703510	R. MTL. CHP 3.9KΩ 1/10W	ERJ6GEYJ392
R4323	AAI06750	R. MTL. CHP 10KΩ 1/10W	ERJ6GEYJ103
R4324	HX610400	R. MTL. CHP 8.2KΩ 1/10W	ERJ6GEYF822
R4325-27	HX610190	R. MTL. CHP 47KΩ 1/16W	ERJ3GEYJ473
R4331	HX610020	R. MTL. CHP 100KΩ 1/16W	ERJ3GEYJ104
R4332	NX703510	R. MTL. CHP 3.9KΩ 1/10W	ERJ6GEYJ392
R4333	AAI06750	R. MTL. CHP 10KΩ 1/10W	ERJ6GEYJ103
R4334	HX610400	R. MTL. CHP 8.2KΩ 1/10W	ERJ6GEYF822
R4337	HX610190	R. MTL. CHP 47KΩ 1/16W	ERJ3GEYJ473
R4341	HX610020	R. MTL. CHP 100KΩ 1/16W	ERJ3GEYJ104
R4342	AAI07100	R. MTL. CHP 4.7KΩ 1/10W	ERJ6GEYJ472
R4343	NX703510	R. MTL. CHP 3.9KΩ 1/10W	ERJ6GEYJ392
R4344	AAI06750	R. MTL. CHP 10KΩ 1/10W	ERJ6GEYJ103
R4347	HX610190	R. MTL. CHP 47KΩ 1/16W	ERJ3GEYJ473
R4351	HX610020	R. MTL. CHP 100KΩ 1/16W	ERJ3GEYJ104
R4352	AAI07100	R. MTL. CHP 4.7KΩ 1/10W	ERJ6GEYJ472
R4353	NX703510	R. MTL. CHP 3.9KΩ 1/10W	ERJ6GEYJ392
R4354	AAI06750	R. MTL. CHP 10KΩ 1/10W	ERJ6GEYJ103
R4357	HX610190	R. MTL. CHP 47KΩ 1/16W	ERJ3GEYJ473
R4361	HX610020	R. MTL. CHP 100KΩ 1/16W	ERJ3GEYJ104
R4362	AAI07100	R. MTL. CHP 4.7KΩ 1/10W	ERJ6GEYJ472
R4363	NX703510	R. MTL. CHP 3.9KΩ 1/10W	ERJ6GEYJ392
R4364	AAI06750	R. MTL. CHP 10KΩ 1/10W	ERJ6GEYJ103
R4367	HX610190	R. MTL. CHP 47KΩ 1/16W	ERJ3GEYJ473
R4371	HX610020	R. MTL. CHP 100KΩ 1/16W	ERJ3GEYJ104
R4372	AAI06450	R. MTL. CHP 4.7KΩ 1/16W	ERJ3GEYJ472
R4373	HX610250	R. MTL. CHP 82KΩ 1/16W	ERJ3GEYJ823
R4374	AAI06450	R. MTL. CHP 4.7KΩ 1/16W	ERJ3GEYJ472
R4375	HX610120	R. MTL. CHP 22KΩ 1/16W	ERJ3GEYJ223
R4376	HX610010	R. MTL. CHP 10KΩ 1/16W	ERJ3GEYJ103
R4377	HX610110	R. MTL. CHP 2.2KΩ 1/16W	ERJ3GEYJ222
R4378	HX610190	R. MTL. CHP 47KΩ 1/16W	ERJ3GEYJ473
R4381	HX610110	R. MTL. CHP 2.2KΩ 1/16W	ERJ3GEYJ222
R4501	AAI07170	R. MTL. CHP 820Ω 1/10W	ERJ6GEYJ821
R4502	AAI07010	R. MTL. CHP 220Ω 1/10W	ERJ6GEYJ221
R4503-05	NX703400	R. MTL. CHP 820Ω 1/16W	ERJ3GEYJ821
R4511	AAI07170	R. MTL. CHP 820Ω 1/10W	ERJ6GEYJ821
R4512	AAI07010	R. MTL. CHP 220Ω 1/10W	ERJ6GEYJ221
R4513-15	NX703400	R. MTL. CHP 820Ω 1/16W	ERJ3GEYJ821
R4521	AAI07170	R. MTL. CHP 820Ω 1/10W	ERJ6GEYJ821
R4522	AAI07010	R. MTL. CHP 220Ω 1/10W	ERJ6GEYJ221
R4523	NX703400	R. MTL. CHP 820Ω 1/16W	ERJ3GEYJ821
R4531	AAI07170	R. MTL. CHP 820Ω 1/10W	ERJ6GEYJ821
R4532	AAI07010	R. MTL. CHP 220Ω 1/10W	ERJ6GEYJ221
R4533	NX703400	R. MTL. CHP 820Ω 1/16W	ERJ3GEYJ821
R4541	AAI07170	R. MTL. CHP 820Ω 1/10W	ERJ6GEYJ821
R4542	HX610100	R. MTL. CHP 220Ω 1/16W	ERJ3GEYJ221
R4543	NX703400	R. MTL. CHP 820Ω 1/16W	ERJ3GEYJ821
R4551	AAI07170	R. MTL. CHP 820Ω 1/10W	ERJ6GEYJ821

* New Parts

DVD-S1200

Schm Ref.	PART NO.	Description	Remarks
* R4552	HX610100	R. MTL. CHP 220Ω 1/16W	ERJ3GEYJ221
R4553	NX703400	R. MTL. CHP 820Ω 1/16W	ERJ3GEYJ821
R4561	AAAX07170	R. MTL. CHP 820Ω 1/10W	ERJ6GMYJ821
* R4562	HX610100	R. MTL. CHP 220Ω 1/16W	ERJ3GEYJ221
R4563	NX703400	R. MTL. CHP 820Ω 1/16W	ERJ3GEYJ821
R4571	AAAX06900	R. MTL. CHP 820Ω 1/10W	ERJ6GEYJ821
* R4572	HX610100	R. MTL. CHP 220Ω 1/16W	ERJ3GEYJ221
R4573	NX703400	R. MTL. CHP 820Ω 1/16W	ERJ3GEYJ821
R4590	HX610110	R. MTL. CHP 2.2KΩ 1/16W	ERJ3GEYJ222
R4591	HX610010	R. MTL. CHP 10KΩ 1/16W	ERJ3GEYJ103
R4594	AAAX07200	R. MTL. CHP 1KΩ 1/8W	ERJ8GEYJ102
R4596	HX610120	R. MTL. CHP 22KΩ 1/16W	ERJ3GEYJ223
* R4598	AAAX07020	R. MTL. CHP 2.2KΩ 1/10W	ERJ6GMYJ222
R4721, 22	AAAX15850	R. MTL. CHP 470Ω 1/16W	ERJ3GEYF471
R4723, 24	NX703400	R. MTL. CHP 820Ω 1/16W	ERJ3GEYJ821
* R4731, 32	AAAX07210	R. MTL. CHP 47Ω 1/8W	ERJ8GEYJ470
* R4733, 34	HX610060	R. MTL. CHP 15KΩ 1/16W	ERJ3GEYJ153
R4735, 36	HX610040	R. MTL. CHP 12KΩ 1/16W	ERJ3GEYJ123
* R4737, 38	HX610000	R. MTL. CHP 1KΩ 1/16W	ERJ3GEYJ102
R4761	HX609980	R. MTL. CHP 10Ω 1/16W	ERJ3GEYJ100
R4771	AAAX06880	R. MTL. CHP 75Ω 1/10W	ERJ6GEYJ750
* R4901	AAAX07190	R. MTL. CHP 8.2KΩ 1/10W	ERJ6RBD822
R4902	AAAX07180	R. MTL. CHP 1.5KΩ 1/10W	ERJ6RBD152
R4903	XX701540	R. CAR. CHP 33KΩ 1/10W	ERJ6GEYJ333
R4911	AAAX07190	R. MTL. CHP 8.2KΩ 1/10W	ERJ6RBD822
* R4912	AAAX06820	R. MTL. CHP 330Ω 1/10W	ERJ6GEYJ331
R4913	AAAX06750	R. MTL. CHP 10KΩ 1/10W	ERJ6GEYJ103
* R4921	AAAX07120	R. MTL. CHP 560Ω 1/10W	ERJ6GMYJ561
* R4922	AAAX06980	R. MTL. CHP 1MΩ 1/10W	ERJ6GMYJ105
* R4931	AAAX07120	R. MTL. CHP 560Ω 1/10W	ERJ6GMYJ561
* R4932	AAAX06980	R. MTL. CHP 1MΩ 1/10W	ERJ6GMYJ105
* R5001, 02	Vi191900	R. MTL. CHP 56Ω 1/10W	
R5211	NX703320	R. MTL. CHP 2.2Ω 1/16W	ERJ3GEYJ2R2
R5212	AAAX07260	R. MTL 27Ω 1/2W	ERJ12YJ270
R5213	HX610190	R. MTL. CHP 47KΩ 1/16W	ERJ3GEYJ473
R5214	HX610120	R. MTL. CHP 22KΩ 1/16W	ERJ3GEYJ223
R5215	NX703320	R. MTL. CHP 2.2Ω 1/16W	ERJ3GEYJ2R2
R5216	AAAX07260	R. MTL 27Ω 1/2W	ERJ12YJ270
R5217	HX610190	R. MTL. CHP 47KΩ 1/16W	ERJ3GEYJ473
R5221	HX609880	R. MTL. CHP 0Ω 1/16W	ERJ3GEYOR00
* R5231, 32	AAAX06490	R. MTL. CHP 8.2KΩ 1/16W	ERJ3GEYJ822
* R5233	HX610000	R. MTL. CHP 1KΩ 1/16W	ERJ3GEYJ102
* R5241	HX610100	R. MTL. CHP 220Ω 1/16W	ERJ3GEYJ221
* R5242	HX610250	R. MTL. CHP 82KΩ 1/16W	ERJ3GEYJ823
R5256	HX610120	R. MTL. CHP 22KΩ 1/16W	ERJ3GEYJ223
R5257	Vi195500	R. MTL. CHP 1.8KΩ 1/10W	
R5258	HX610110	R. MTL. CHP 2.2KΩ 1/16W	ERJ3GEYJ222
* R5261, 62	HX610390	R. MTL. CHP 560Ω 1/10W	ERJ6GEYF561
R5263	HX610190	R. MTL. CHP 47KΩ 1/16W	ERJ3GEYJ473
R5264	HX610010	R. MTL. CHP 10KΩ 1/16W	ERJ3GEYJ103
* R5265	HX610020	R. MTL. CHP 100KΩ 1/16W	ERJ3GEYJ104
R5266	NX703380	R. MTL. CHP 56KΩ 1/16W	ERJ3GEYJ563
R5267	VK582200	R. MTL. CHP 330KΩ 1/10W	
* R5268	HX610000	R. MTL. CHP 1KΩ 1/16W	ERJ3GEYJ102
* R5269	HX610020	R. MTL. CHP 100KΩ 1/16W	ERJ3GEYJ104
R5270	HX610160	R. MTL. CHP 27KΩ 1/16W	ERJ3GEYJ273
R5271, 72	HX609880	R. MTL. CHP 0Ω 1/16W	ERJ3GEYOR00
R5281, 82	NX703300	R. MTL. CHP 1MΩ 1/16W	ERJ3GEYJ105
* R5286, 87	AAAX06470	R. MTL. CHP 68Ω 1/16W	ERJ3GEYJ680
R5288	HX610220	R. MTL. CHP 5.6KΩ 1/16W	ERJ3GEYJ562
* R5289	AAAX06450	R. MTL. CHP 4.7KΩ 1/16W	ERJ3GEYJ472
R5290	HX610220	R. MTL. CHP 5.6KΩ 1/16W	ERJ3GEYJ562
* R5291	AAAX06450	R. MTL. CHP 4.7KΩ 1/16W	ERJ3GEYJ472

* New Parts

Schm Ref.	PART NO.	Description	Remarks
R5292	HX610220	R. MTL. CHP 5.6KΩ 1/16W	ERJ3GEYJ562
* R5293	AAAX06450	R. MTL. CHP 4.7KΩ 1/16W	ERJ3GEYJ472
R5294	HX610220	R. MTL. CHP 5.6KΩ 1/16W	ERJ3GEYJ562
* R5295	AAAX06450	R. MTL. CHP 4.7KΩ 1/16W	ERJ3GEYJ472
R5297	HX609990	R. MTL. CHP 100Ω 1/16W	ERJ3GEYJ101
R5304, 05	HX609880	R. MTL. CHP 0Ω 1/16W	ERJ3GEYOR00
R6001	HX609990	R. MTL. CHP 100Ω 1/16W	ERJ3GEYJ101
R6003	HX610170	R. MTL. CHP 330Ω 1/16W	ERJ3GEYJ331
R6005-07	HX610010	R. MTL. CHP 10KΩ 1/16W	ERJ3GEYJ103
* R6008	AAAX06490	R. MTL. CHP 8.2KΩ 1/16W	ERJ3GEYJ822
R6009	HX610010	R. MTL. CHP 10KΩ 1/16W	ERJ3GEYJ103
R6010	HX609880	R. MTL. CHP 0Ω 1/16W	ERJ3GEYOR00
R6011-23	HX610190	R. MTL. CHP 47KΩ 1/16W	ERJ3GEYJ473
R6024	HX610010	R. MTL. CHP 10KΩ 1/16W	ERJ3GEYJ103
R6025-38	HX610190	R. MTL. CHP 47KΩ 1/16W	ERJ3GEYJ473
R6039	HX610150	R. MTL. CHP 2.7KΩ 1/16W	ERJ3GEYJ272
R6040	HX610010	R. MTL. CHP 10KΩ 1/16W	ERJ3GEYJ103
R6041	HX610190	R. MTL. CHP 47KΩ 1/16W	ERJ3GEYJ473
* R6042, 43	HX610000	R. MTL. CHP 1KΩ 1/16W	ERJ3GEYJ102
R6044	HX610190	R. MTL. CHP 47KΩ 1/16W	ERJ3GEYJ473
R6048	AAAX15830	R. MTL. CHP 30KΩ 1/16W	ERJ3GEYF303
R6049	HX610190	R. MTL. CHP 47KΩ 1/16W	ERJ3GEYJ473
R6053-56	HX610190	R. MTL. CHP 47KΩ 1/16W	ERJ3GEYJ473
R6057-59	HX610010	R. MTL. CHP 10KΩ 1/16W	ERJ3GEYJ103
R6062, 63	HX610170	R. MTL. CHP 330Ω 1/16W	ERJ3GEYJ331
R6067, 68	HX610190	R. MTL. CHP 47KΩ 1/16W	ERJ3GEYJ473
R6071	XX701530	R. CAR. CHP 220Ω 1/10W	ERJ6GEYJ221
* R6101	AAAX06430	R. MTL. CHP 3.3KΩ 1/16W	ERJ3GEYJ332
R6102	HX610110	R. MTL. CHP 2.2KΩ 1/16W	ERJ3GEYJ222
R6103	HX609900	R. MTL. CHP 1.5KΩ 1/16W	ERJ3GEYJ152
R6104	HX610030	R. MTL. CHP 1.2KΩ 1/16W	ERJ3GEYJ122
R6201	HX610030	R. MTL. CHP 1.2KΩ 1/16W	ERJ3GEYJ122
R6201	HX610190	R. MTL. CHP 47KΩ 1/16W	ERJ3GEYJ473
R6202	HX610010	R. MTL. CHP 10KΩ 1/16W	ERJ3GEYJ103
R6202	HX610030	R. MTL. CHP 1.2KΩ 1/16W	ERJ3GEYJ122
R6203	HX609900	R. MTL. CHP 1.5KΩ 1/16W	ERJ3GEYJ152
R6203	HX610010	R. MTL. CHP 10KΩ 1/16W	ERJ3GEYJ103
R6204	HX610110	R. MTL. CHP 2.2KΩ 1/16W	ERJ3GEYJ222
* R6205	AAAX06430	R. MTL. CHP 3.3KΩ 1/16W	ERJ3GEYJ332
R6205	HX610010	R. MTL. CHP 10KΩ 1/16W	ERJ3GEYJ103
R6206	AAAX06450	R. MTL. CHP 4.7KΩ 1/16W	ERJ3GEYJ472
R6206	HX610010	R. MTL. CHP 10KΩ 1/16W	ERJ3GEYJ103
* R6207, 08	AAAX06450	R. MTL. CHP 4.7KΩ 1/16W	ERJ3GEYJ472
R6209	HX610190	R. MTL. CHP 47KΩ 1/16W	ERJ3GEYJ473
R6210	HX610000	R. MTL. CHP 1KΩ 1/16W	ERJ3GEYJ102
* R6211	AAAX06450	R. MTL. CHP 4.7KΩ 1/16W	ERJ3GEYJ472
R6215	HX610010	R. MTL. CHP 10KΩ 1/16W	ERJ3GEYJ103
* R6216	HX610000	R. MTL. CHP 1KΩ 1/16W	ERJ3GEYJ102
R6501	NX703300	R. MTL. CHP 1MΩ 1/16W	ERJ3GEYJ105
R6502	AAAX06550	R. MTL. CHP 220Ω 1/16W	ERJ3RBD221
* R6503	HX610020	R. MTL. CHP 100KΩ 1/16W	ERJ3GEYJ104
R6521	NX703300	R. MTL. CHP 1MΩ 1/16W	ERJ3GEYJ105
R6522	AAAX06550	R. MTL. CHP 220Ω 1/16W	ERJ3RBD221
* R6523	HX610020	R. MTL. CHP 100KΩ 1/16W	ERJ3GEYJ104
R6561	NX703300	R. MTL. CHP 1MΩ 1/16W	ERJ3GEYJ105
* R6562	AAAX06570	R. MTL. CHP 330Ω 1/16W	ERJ3RBD331
R6571	HX609880	R. MTL. CHP 0Ω 1/16W	ERJ3GEYOR00
* R6801	HX610190	R. MTL. CHP 47KΩ 1/16W	ERJ3GEYJ473
* RA2021	AAAX27470	R. ARRAY 1KΩx2	EXBV4V102J
* RA2022	AAAX27480	R. ARRAY 4.7KΩx2	EXBV4V472J
* RA2501	NX703110	R. ARRAY 47KΩx4	EXBV8V473J
* RA3001	AAAX27470	R. ARRAY 1KΩx2	EXBV4V102J
* RA3002-08	AAAX27530	R. ARRAY 82Ωx4	EXBV8V820J

* New Parts

Schm Ref.	PART NO.	Description	Remarks	
* RA3031-33	AA15970	R. ARRAY	0Ω x2	EXBV4VR000
RA3201, 02	AA127510	R. ARRAY	10KΩ x4	EXBV8V103J
* RA3905, 06	NX704230	R. ARRAY	470Ω x4	EXBV8V471J
* RA5001	AA127490	R. ARRAY	56Ω x2	EXBV4V560J
* RA5002, 03	AA127520	R. ARRAY	56Ω x4	EXBV8V560J
* RA5201	AA127500	R. ARRAY	100Ω x4	EXBV8V101J
RA6201, 02	NX703070	R. ARRAY	10KΩ x2	EXBV4V103J
* RA6203	AA127480	R. ARRAY	4.7KΩ x2	EXBV4V472J
RA6204	NX703070	R. ARRAY	10KΩ x2	EXBV4V103J
* RA6205	AA127510	R. ARRAY	10KΩ x4	EXBV8V103J
RA6206	NX703100	R. ARRAY	47KΩ x2	EXBV4V473J
* RY4201	AA127540	RELAY	VSY2180	VSY2180
S6102	KX604670	SW		EVQ11G07K
S6104	KX604670	SW		EVQ11G07K
S6201-07	KX604670	SW		EVQ11G07K
* SW2601	AA127550	SW	RSH1A048A	RSH1A048A
* T1021	AA128030	TRANS		ETS29AS136AC
T4761	NX702900	TRANS	VLQ0790	VLQ0790
VR3221	NX703150	VR	VRV0293B201T	VRV0293B201T
VR3225	NX703150	VR	VRV0293B201T	VRV0293B201T
VR4721	AA106200	VR		EVJCAEF01A14
* X6001	AA127620	RSNR. CE	RSXY8M00M06T	RSXY8M00M06T
X6501	AA104680	RSNR		VSX1044
* X6521	AA104690	RSNR		VSX1045
X6561	NX703170	RSNR. CRYST	VSX0944	VSX0944

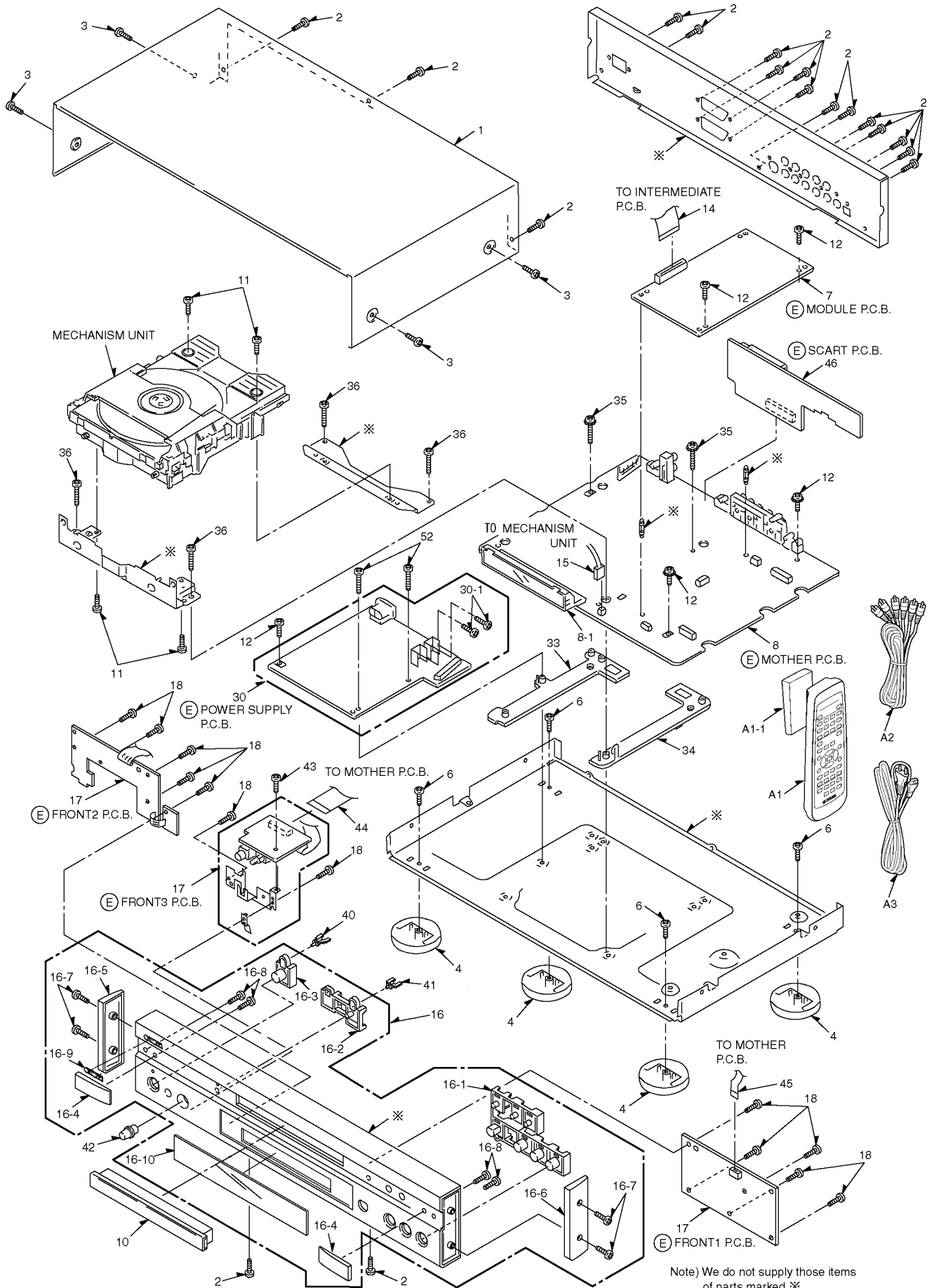
* New Parts

Schm Ref.	PART NO.	Description	Remarks

* New Parts

DVD-S1200

EXPLODED VIEW




Note) We do not supply those items of parts marked ※.

MECHANICAL PARTS

Ref. No.	PART NO.	Description	Remarks	Markets
* 1	AAAX27560	TOP COVER	BL	RKM0437K
* 1	AAAX27570	TOP COVER	GD	RKM0437N
2	EX603920	SCREW		VHD0690
3	EX603940	SCREW	BL	VHD1041
3	EX603960	SCREW	GD	VHD1094
4	CX680310	LEG	BL	VYK7764
4	AAAX04150	LEG	GD	VYK5504
* 6	AAAX04390	SCREW		XTV3+8G
* 7	AAAX28070	P. C. B. ASS'Y	MODULE	REP3095B
* 8	AAAX28060	P. C. B. ASS'Y	MOTHER	REP3096K
* 8-1	AAAX25960	FL HOLDER		RYQ0344K
* 10	AAAX27150	TRAY LID	BL	RYF0590K
* 10	AAAX27160	TRAY LID	GD	RYF0590N
11	EX604050	SCREW		XTV3+10J
* 12	AAAX27190	SCREW		RHD30090
* 14	AAAX25910	FLEXIBLE CABLE	38P FP5002-FP5201	REZ13542
* 15	AAAX26750	CONNECTOR CABLE	2P P6005-mecha	REX1057
* 16	AAAX28900	FRONT PANEL ASS'Y	BL	RYP1040K
* 16	AAAX28910	FRONT PANEL ASS'Y	GD	RYP1040N
* 16-1	AAAX27630	OPERATION BUTTON	BL	RGU1998K
* 16-1	AAAX27640	OPERATION BUTTON	GD	RGU1998N
* 16-2	AAAX28090	AUDIO BUTTON	BL	RGU1999AK
* 16-2	AAAX28100	AUDIO BUTTON	GD	RGU1999AN
* 16-3	AAAX27690	POWER BUTTON	BL	RGU2000K
* 16-3	AAAX27700	POWER BUTTON	GD	RGU2000N
* 16-4	AAAX26800	SIDE COVER	BL	RGQ0311K
* 16-4	AAAX26810	SIDE COVER	GD	RGQ0311N
* 16-5	AAAX26760	SIDE PANEL(L)	BL	RGP0871K
* 16-5	AAAX26770	SIDE PANEL(L)	GD	RGP0871N
* 16-6	AAAX26780	SIDE PANEL(R)	BL	RGP0872K
* 16-6	AAAX26790	SIDE PANEL(R)	GD	RGP0872N
* 16-7	AAAX27210	SCREW	BL	XTB3+8JFZ
* 16-7	AAAX27200	SCREW	GD	XTB3+8JFN
* 16-8	AAAX27220	SCREW		XTBS26+8J
16-9	V6004800	EMBLEM	BL	
16-9	V6004900	EMBLEM	GD	
16-10	AAAX27610	FRONT COVER		RKW0653Q1
* 17	AAAX28050	P. C. B. ASS'Y	FRONT 1, 2, 3	REP3170B
18	XX700860	SCREW		XTBS26+10J
* 30	AAAX28080	P. C. B. ASS'Y	POWER SUPPLY	REP3132A
* 30-1	AX624200	SCREW		XYN3+F8
* 33	AAAX15360	SPACER(L)		VMD3854
* 34	AAAX15370	SPACER(R)		VMD3855
35	AAAX04420	SCREW		XYE3+EF12
* 36	AAAX27230	SCREW		XTV3+20F
* 40	AAAX27740	INDICATER	STAND	RGL0551Q
* 41	AAAX27750	INDICATER	VIDEO OFF	RGL0552Q
* 42	AAAX27400	VOLUME KNOB	BL	RGW0373K
* 42	AAAX27410	VOLUME KNOB	GD	RGW0373N
* 43	AAAX27260	SCREW		XYE3+FJ8
* 44	AAAX25930	FLEXIBLE CABLE	16P FP4701-FP6001	REZ1396
* 45	AAAX25920	FLEXIBLE CABLE	6P FP6002-FP6201	REZ1356
* 46	AAAX28040	P. C. B. ASS'Y	SCART	REP3138A

* New Parts

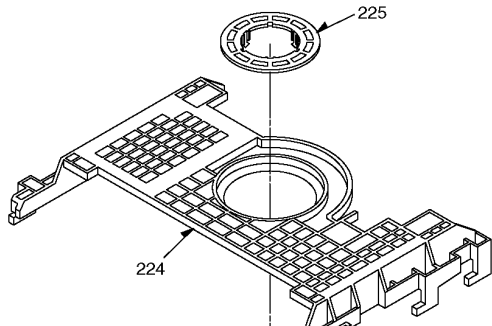
Ref. No.	PART NO.	Description	Remarks	Markets
52	AAX04430	SCREW	XYE3+EF20	
		ACCESSORIES		
* A1	V7562600	REMOTE CONTROL TRANSMITTER	RRS3800-0912L	RRS3800-0912L
* A1-1	AAX27840	LID	103RRS-M01-01R	103RRSM0101R
A2	MX605180	A/V CORD		VJA0788
*  A3	AAX28150	AC CORD		RJA00191X

* New Parts

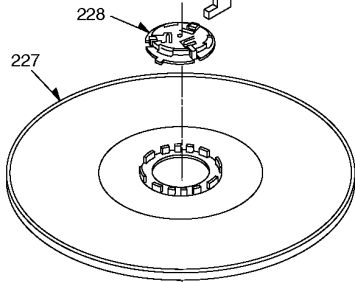
1

EXPLODED VIEW (DVD MECHANISM)

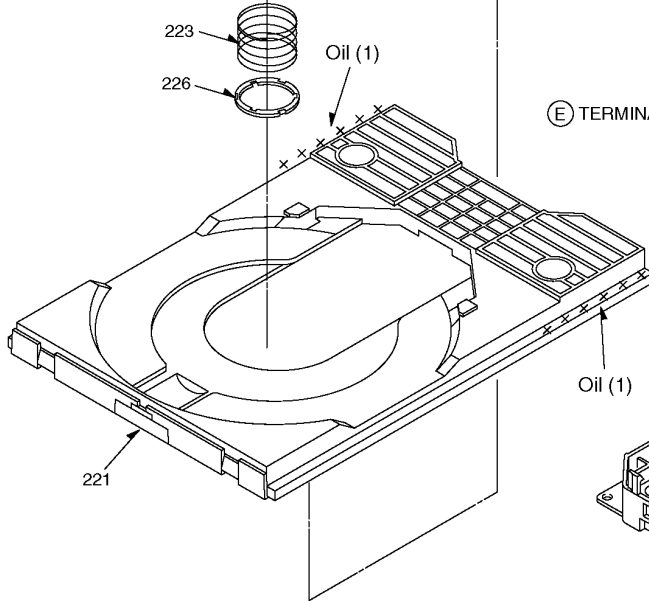
2



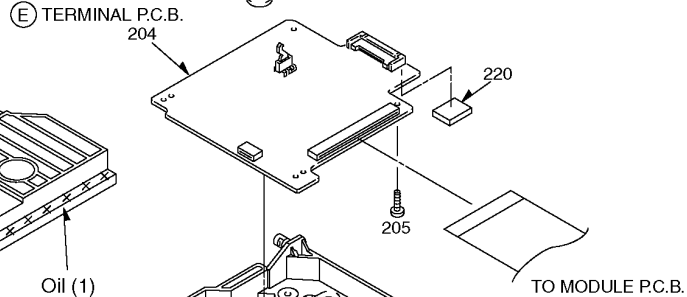
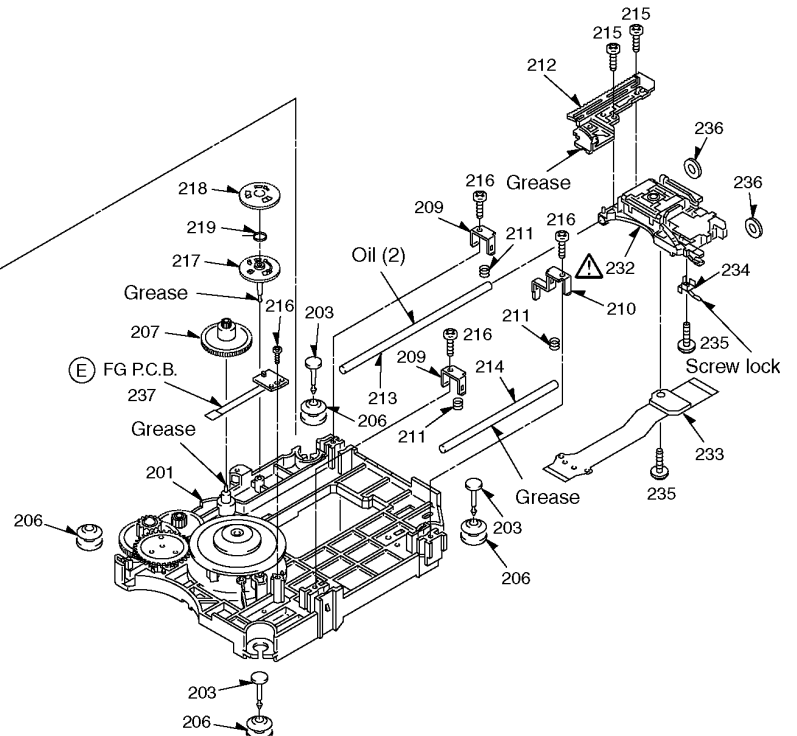
3



4

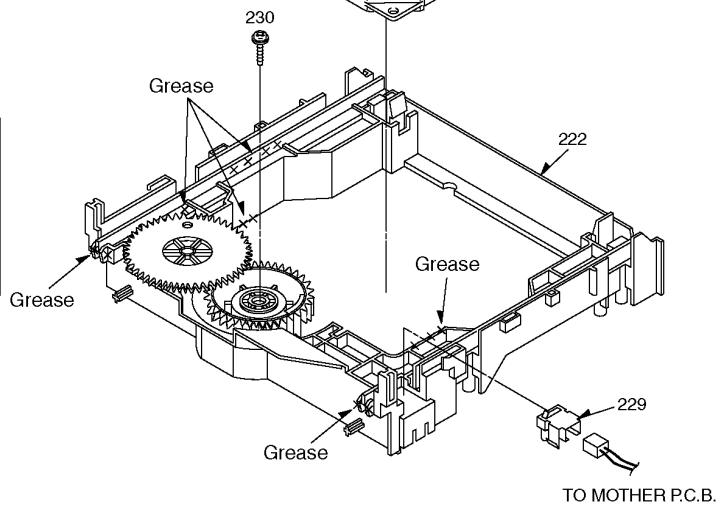


5



6

	Part number
Oil (1)	RFKXGA1280 (AAX27790)
Grease	RFKXGAK152 (AAX27800)
Screw lock	RZZ0L01 (TX946400)
Oil (2)	JZS0648 (TX946410)



7

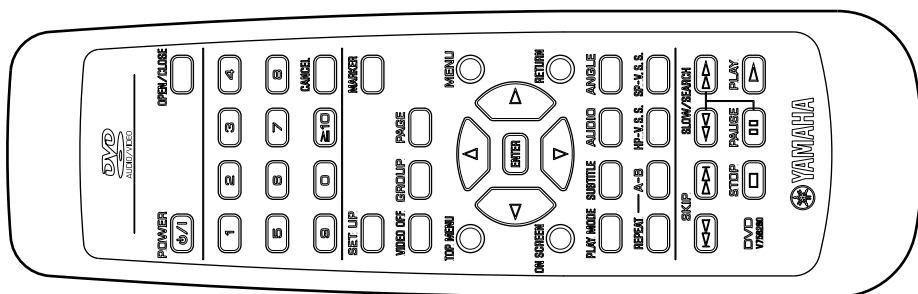
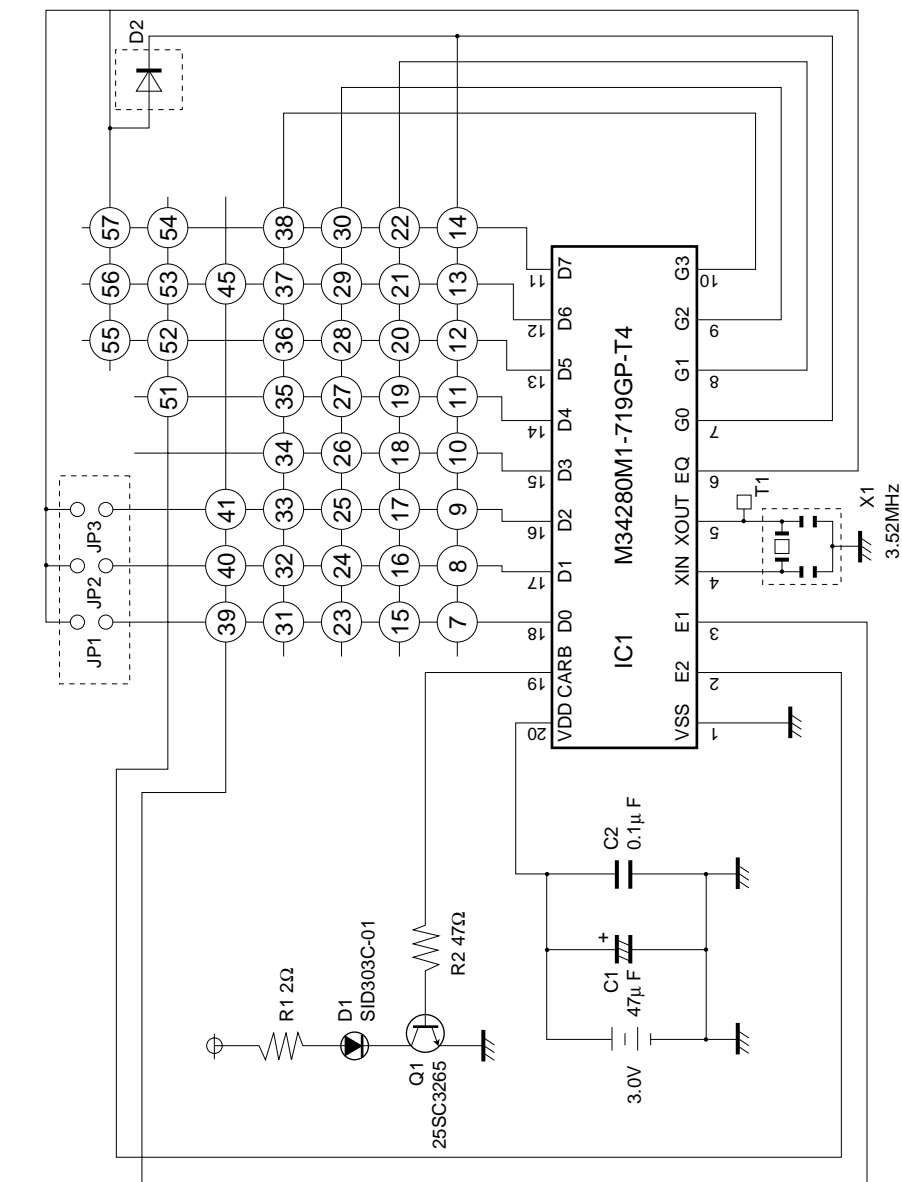
■ DVD MECHANISM PARTS

Ref. No.	PART NO.	Description	Remarks	Markets
* 201	AAX26270	SPINDLE MOTOR ASSY		RXQ0742
* 202	AAX27650	MIDDLE CHASSIS		RMR1323K2
* 203	AAX27590	FIXED PIN		RMS0712
* 204	AAX27670	P. C. B. ASS'Y	TERMINAL	REP3082AN
* 205	AAX27240	SCREW		XTW2+8P
* 206	AAX27340	RUBBER ISOLATOR		RMG0545A
* 207	AAX26280	TRAVERSE GEAR(A)		RDG0499
* 209	AAX27270	ADJUST SPRING HOLDER1		RMC0415
* 210	AAX27280	ADJUST SPRING HOLDER2		RMC0416
* 211	AAX27680	ADJUST SPRING		RME0320
* 212	AAX26320	TRAVERSE DRIVE RACK		RMM02341
* 213	AAX27170	DRIVE SHAFT		RMS0710
* 214	AAX26360	GUIDE SHAFT		RMS0711
* 215	AAX27180	SCREW		RHD17028
216	AAX04350	SCREW		VHD1224
* 217	AAX26290	TRAVERSE GEAR(B)		RDG0500
* 218	AAX26300	TRAVERSE GEAR(C)		RDG0501
* 219	AAX26310	TRAVERSE GEAR SPRING		RME0319
* 220	AAX26260	PCB RUBBER		RMG0558K
* 221	AAX27140	TRAY		RGQ0280K3
* 222	AAX27440	MECHA CHASSIS ASSY		RXQ07271
* 223	AAX26390	CLAMPER SPRING		RME03181
* 224	AAX26400	CLAMP PLATE		RMR1317K
* 225	AAX26410	FIXTURE		RMR1318X
* 226	AAX26850	SPRING HOLDER		RMR1321X
* 227	AAX26380	CLAMPER ASSY		RXQ07241
* 228	AAX26250	MAGNET HOLDER ASSY		RXQ07291
* 229	AAX26350	OPEN SWITCH		RSH1A049U
* 230	AAX27250	SCREW		XTW3+12S
* 232	AAX27600	OPTICAL PICK-UP		RAF3020A1
* 233	AAX27660	INTERFACE FPC	FP5001-OPU	RJB2308A1
* 234	AAX26820	SHAFT SPRING		RMC0418
235	EX603950	SCREW		VHD1057
* 236	AAX26370	CUSHION RUBBER		RMG0561T
* 237	AAX25940	FG P. C. B.		REP3081A

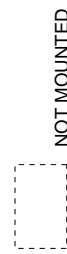
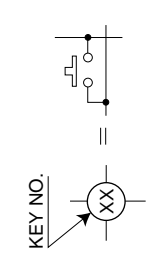
* New Parts

ROMOTE CONTROL TRANSMITTER

SCHEMATIC DIAGRAM



KEY No.	FUNCTION	DATA CODE	KEY No.	FUNCTION	DATA CODE	KEY No.	FUNCTION	DATA CODE
7	POWER	3D	18	UP	85	29	PLAY	0A
8	OPEN/CLOSE	01	19	DOWN	86	30	1	10
9	ON SCREEN	92	20	LEFT	87	31	2	11
10	TOP MENU	9B	21	RIGHT	88	32	3	12
11	MENU	80	22	ENTER	82	33	4	13
12	GROUP	E0	23	SKIP REW.	49	34	5	14
13	MARKER	8E	24	SKIP FOW.	4A	35	6	15
14	PAGE	E5	25	SL/SC REW.	04	36	7	16
15	RETURN	81	26	SL/SC FOW.	05	37	8	17
16	SUBTITLE	91	27	STOP	00	38	9	18
17	AUDIO	33	28	PAUSE	06	39	CANCEL	83
40			41			45		
45			46			51	VIDEO OFF	E1
51			52			52	HP-V.S.S.	45
52			53			53	SP-V.S.S.	9E
53			54			54	SET UP	94
54			55			55	REPEAT	8C
55			56			56	A-B	48
56			57			57	PLAY MODE	8D



NOT MOUNTED

DVD-S1200

DVD-S1200

